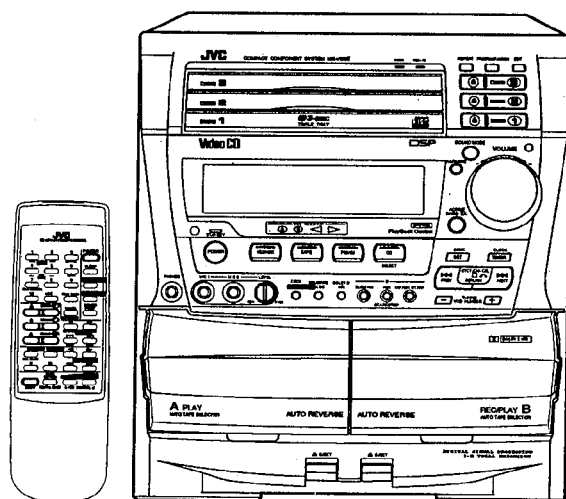


# JVC

## SERVICE MANUAL

### COMPACT COMPONENT SYSTEM

## CA-V805T



|         |         |
|---------|---------|
| PICK UP | OPT-6S  |
| Lsi     | MN35510 |

| Area Suffix |            |
|-------------|------------|
| US ....     | Singapore  |
| UT ....     | Taiwan     |
| UB ....     | Hong Kong  |
| U .....     | Other Area |

PlayBack  
Control

Video CD

COMPACT  
disc  
DIGITAL VIDEO

COMPACT  
disc  
DIGITAL AUDIO  
GRAPHICS

COMPACT  
disc  
DIGITAL AUDIO

## Contents

|  |      |  |      |
|--|------|--|------|
| <i>Safety Precautions</i> .....                  | 1-2  | <i>Maintenance of Laser Pickup</i> ..... | 2-37 |
| <i>Important for Laser Products</i> .....        | 1-3  | <i>Replacement of Laser Pickup</i> ..... | 2-37 |
| <i>Technical Explanation</i> .....               | 1-4  | <i>Self-diagnosis for pickup</i> .....   | 2-38 |
| <i>Instruction Book</i> .....                    | 1-8  | <i>Block Diagram</i> .....               | 2-41 |
| <i>Description of Major LSIs</i> .....           | 2-1  | <i>Schematic Diagrams</i> .....          | 2-42 |
| <i>Internal Connection of FL Display Tube</i> .. | 2-15 | <i>Printed Circuit Boards</i> .....      | 2-49 |
| <i>Disassembly Procedures</i> .....              | 2-17 | <i>Parts List</i> .....                  | 3-1  |
| <i>Adjustment Procedures</i> .....               | 2-32 |  |      |

## Safety Precautions

1. The design of this product contains special hardware and many circuits and components specially for safety purposes. For continued protection, no changes should be made to the original design unless authorized in writing by the manufacturer. Replacement parts must be identical to those used in the original circuits. Services should be performed by qualified personnel only.
2. Alterations of the design or circuitry of the product should not be made. Any design alterations of the product should not be made. Any design alterations or additions will void the manufacturer's warranty and will further relieve the manufacture of responsibility for personal injury or property damage resulting therefrom.
3. Many electrical and mechanical parts in the products have special safety-related characteristics. These characteristics are often not evident from visual inspection nor can the protection afforded by them necessarily be obtained by using replacement components rated for higher voltage, wattage, etc. Replacement parts which have these special safety characteristics are identified in the Parts List of Service Manual. Electrical components having such features are identified by shading on the schematics and by ( $\Delta$ ) on the Parts List in the Service Manual. The use of a substitute replacement which does not have the same safety characteristics as the recommended replacement parts shown in the Parts List of Service Manual may create shock, fire, or other hazards.
4. The leads in the products are routed and dressed with ties, clamps, tubings, barriers and the like to be separated from live parts, high temperature parts, moving parts and/or sharp edges for the prevention of electric shock and fire hazard. When service is required, the original lead routing and dress should be observed, and it should be confirmed that they have been returned to normal, after re-assembling.

### 5. Leakage current check (Electrical shock hazard testing)

After re-assembling the product, always perform an isolation check on the exposed metal parts of the product (antenna terminals, knobs, metal cabinet, screw heads, headphone jack, control shafts, etc.) to be sure the product is safe to operate without danger of electrical shock.

Do not use a line isolation transformer during this check.

- Plug the AC line cord directly into the AC outlet. Using a "Leakage Current Tester", measure the leakage current from each exposed metal parts of the cabinet, particularly any exposed metal part having a return path to the chassis, to a known good earth ground. Any leakage current must not exceed 0.5mA AC (r.m.s.).

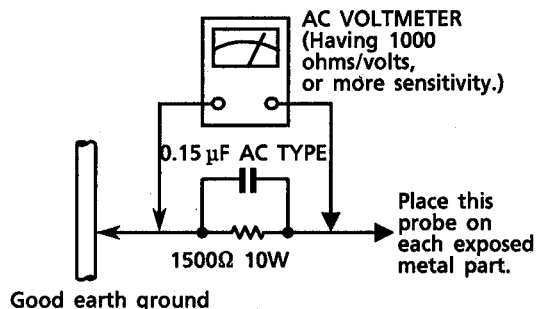
- Alternate check method

Plug the AC line cord directly into the AC outlet. Use an AC voltmeter having, 1,000 ohms per volt or more sensitivity in the following manner. Connect a 1,500 $\Omega$  10 W resistor paralleled by a 0.15  $\mu$ F AC-type capacitor between an exposed metal part and a known good earth ground.

Measure the AC voltage across the resistor with the AC voltmeter.

Move the resistor connection to each exposed metal part, particularly any exposed metal part having a return path to the chassis, and measure the AC voltage across the resistor.

Now, reverse the plug in the AC outlet and repeat each measurement. Any voltage measured must not exceed 0.75 V AC (r.m.s.). This corresponds to 0.5 mA AC (r.m.s.).



## Warning

1. This equipment has been designed and manufactured to meet international safety standards.
2. It is the legal responsibility of the repairer to ensure that these safety standards are maintained.
3. Repairs must be made in accordance with the relevant safety standards.
4. It is essential that safety critical components are replaced by approved parts.
5. If mains voltage selector is provided, check setting for local voltage.

# Important for Laser Products

1. **CLASS 1 LASER PRODUCT**
2. **DANGER** : Invisible laser radiation when open and interlock failed or defeated. Avoid direct exposure to beam.
3. **CAUTION** : There are no serviceable parts inside the Laser Unit. Do not disassemble the Laser Unit. Replace the complete Laser Unit if it malfunctions.
4. **CAUTION** : The compact disc player uses invisible laser radiation and is equipped with safety switches which prevent emission of radiation when the drawer is open and the safety interlocks have failed or are defeated. It is dangerous to defeat the safety switches.
5. **CAUTION** : If safety switches malfunction, the laser is able to function.
6. **CAUTION** : Use of controls, adjustments or performance of procedures other than those specified herein may result in hazardous radiation exposure.

**WARNING** : Osynlig laserstrålning när denna del är öppnad och spärren är urkopplad. Betrakta ej strålen.

**VARO** : Avattaessa ja suojalukitus ohitettaessa olet alttiina näkymättömälle lasersäteilylle. Älä katso säteeseen.

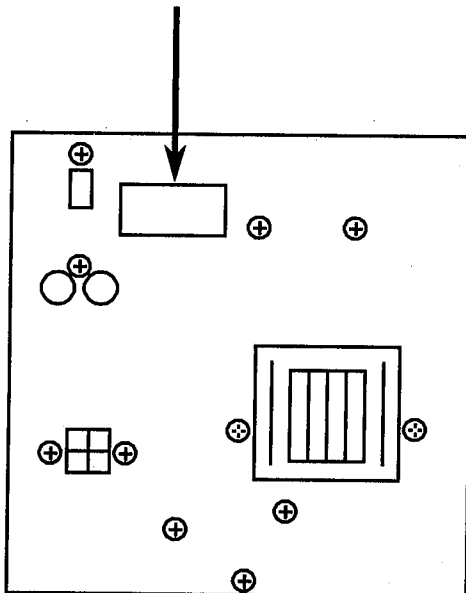
**ADVARSEL** : Usynlig laserstrålning ved åbning, når sikkerhedsafbrydere er ude af funktion. Undgå udsættelse for stråling.

**ADVARSEL** : Usynlig laserstrålning ved åpning, når sikkerhetsbryteren er avslott. unngå utsettelse for stråling.

## REPRODUCTION AND POSITION OF LABELS

**CLASS 1  
LASER PRODUCT**

**CLASSIFICATION LABEL**  
(Except for the U. S. A. and Canada)



## WARNING LABEL

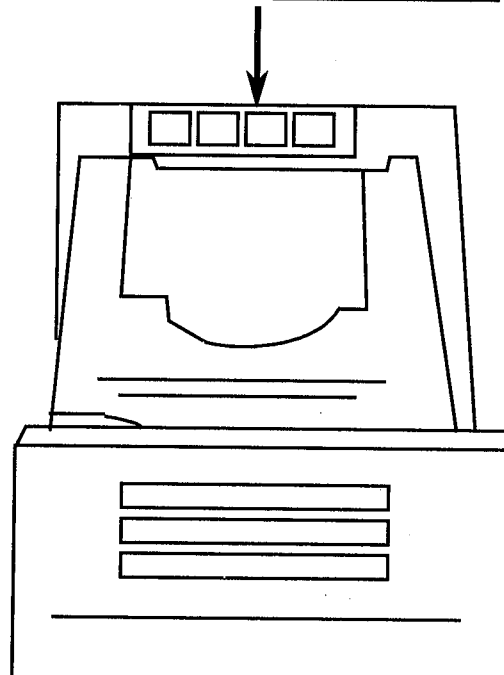
(Except for the U. S. A.)

**DANGER:** invisible laser radiation when open and interlock failed or defeated. AVOID DIRECT EXPOSURE TO BEAM. (e)

**WARNING:** Osynlig laserstrålning när denna del ä öppnad och spärren är urkopplad. Betrakta ej strålen. (s)

**ADVARSEL:** Usynlig laserstrålning ved åbning, når sikkerhedsafbrydere er ude af funktion. Undgå udsættelse for stråling. (d)

**VARO:** Avattaessa ja suojalukitus ohitettaessa olet alttiina näkymättömälle lasersäteilylle. Älä katso säteeseen. (f)



## *TECHNICAL EXPLANATION*

### 1. What is video CD ?

Video CD makes it possible to playback digital moving picture and sound for maximumly 74 minutes on 12cm disc and it is expected to use them widely in future for Karaoke, cinema, music, education and so on.

Its Standard is based on the International Standard of MPEG1.

MPEG1 is abbreviation of Moving Picture Image Coding Experts Group which extensively standardizes the digital high efficiency (compression) and multiple method for audio and video data by experts in Electronics, Computer, Communications, Broadcast and so on.

This video CD was established on Mar. '93 by Philips and JVC and standardized based on "Karaoke CD" worldwide licensed.

The Karaoke CD has been already used for business in Japan.

### 2. Main features

- ① Adopting the technique of high efficiency coding for moving picture and sound data, this 12cm video CD can playback video screen in high quality and audio for 74minutes like CD-DA.
- ② Picture software can be converted to video CD by compression and editing.
- ③ CD-Iplayer with the digital video expansion cartridge can reproduce the video disc.
- ④ Video CD can adopt every broadcasting measures in the world (NTSC, PAL and SECAM).
- ⑤ Video CDs are durable and easy to be handled and manufactured as same as previous CDs.

### 3. Outline of specification

- [Basic]     · Based on CD Bridge Standard.
- Physical format : Based on CD-ROM Format (Yellow Book)
  - Video data : Based on MPEG1 (1/100 compression)
  - Audio data : Based on MPEG1 Layer II  
(approx. 1/6 compression, sampling frequency 44.1kHz)
- [Option]   · Still picture : Standard level and highly accurate level
- Playback control : Playback function with control recorded on CD.

### 4. High efficiency coding

#### (1) What is this technique ?

Previous 12cm disc can not record data for more than 40 seconds because of a large amount of data resulted from digitalizing pictures, though, audio sound had already been digitalized.

The high efficiency coding made it possible to record those data on a disc by compressing and restore them at playback.

The high efficiency coding made it possible to record those data on a disc by compressing and restore them at playback.

This newly developed technique is not only for audio visual but also for Communications such as TV telephone and the basic to realize multimedia by processing letters, audio sound and picture by computer. Its International Standard is the MPEG.

## (2) Theory

One screen is divided into several blocks and the amount of picture data is calculated for each blocks to compress effectively.

- On one screen, the simpler the original picture, the larger the compression can be done. For example, a lot of blocks become entirely blue when the sky is pictured. And, this time the data is largely reduced.
- When the screen is moving, the difference between actual screen and the screen which change is predicted from the former one is picked up and transmitted. For example, only transmitting movement of an airplane can picture the flying plane over a mountain.

## 5. Difference between DV and video CD.

JVC has developed DV, that is, Standard for CD Moving Picture Karaoke and established and standardized with Philips on Mar. '93 to license Standard for CD Karaoke.

Four companies added Panasonic and Sony have established Standard for video CD and asked its adoption to hardware and software industries to cooperate its popularizing and promotion.

The video CD Standard is the one which the functions for playback control and still picture playback are added to CD Karaoke Standard.

The purpose of video CD is to apply the CD moving picture widely not only for Karaoke but also cinema, music, education and products introduction.

## 6. Resolution

[Basic] · 30 frames / sec. Resolution : 352×240 dot

[Still picture mode] Highly accurate level : Approx. 2,000times of (704×480)dot can be got.

Standard level : 352×240 dot

## 7. Playback control

Selecting the number displayed on the screen allows video playback in the order previously set by the video CD manufacturer.

Video is reproduced according to the address and its contents which are stored in PLAY, SELECTION and END inside PSD file recorded on the disc.

\* PSD ..... Play Sequence Descriptor

The PSD file has maximumly 512K and can store 32K lists in maximum.

As same as PSD file, LOT file which describes each list's starting address inside PSD file is recorded in video CD information for track 1. (See Fig.-1.)

\* LOT ..... List ID Offset Table

## 7-1 PLAY list

### 1. Basic operation

Plural sequences are reproduced in the order which is described on the list. Maximumly, 255 sequences can be described.

### 2. Applied operation

- Skip (NEXT, PREVIOUS, RETURN)
- Setting playback time
- Setting time to transmit sequence
- Automatic stop

## 7-2 Selection list

### 1. Basic operation

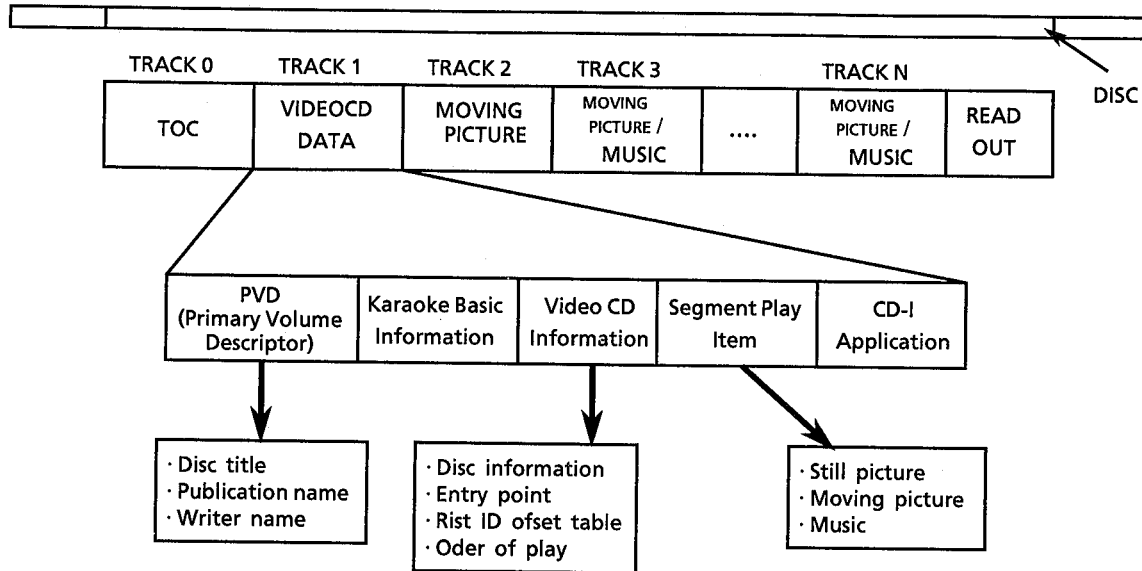
Corresponding address for PLAY list is described according to the selection number of still or moving picture's menu.

### 2. Applied operation

- Switching menu (NEXT, PREVIOUS, RETURN, DEFAULT)
- Setting initial value for selecting item number
- Processing time out
- Repeated playback of sequence

## 7-3 End list

List to finish application's execution.



[ Figure1 ] Structure of video CD

- Data for still and moving pictures which are used for playback control function are solely recorded on track1.
  - For playback of storage media like video CD, trick mode is required such as fast forward, rewinding, intermediate playback, reversed playback since all data have been already prepared.
- GOP(Group of Pictures) structure was developed for video CD to realize those trick modes. 1 picture is not enough for completed information for video CD since coded picture data is based on its before and after data. Random access is possible by using GOP as a unit which data are gathered altogether for a few pictures. Sequence header is used for the random access's heading. That is, entry point in GOP units are prepared on some spots of MPEG bit stream. Generally, 1 GOP is pictures for approx. 0.5sec.(15pictures). It prevents malfunction such as stopped picture caused by pause of each initial tracks after dividing a track. Entry points can be set after track2. Each track can set maximumly 99points and 500points can be set on one disc(100~599points). Entry points has similar role as CD index. Therefore, they are adopted for moving pictures in cinema.

# Instruction Book

English

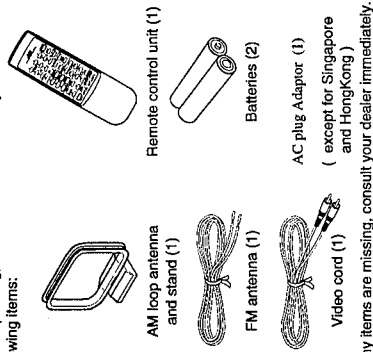
## GENERAL INFORMATION

### Table of contents

|  |    |
|--|----|
| <b>GENERAL INFORMATION</b> .....   | 1  |
| Checking supplied accessories .....  | 1  |
| Types of CDs you can play .....  | 1  |
| Adjusting the voltage selector switch .....  | 1  |
| Laying out the System .....  | 1  |
| <b>BEFORE USING FOR THE FIRST TIME</b> .....   | 2  |
| Connecting the antennas .....  | 2  |
| Connecting the speakers .....  | 2  |
| Connecting other equipment .....   | 3  |
| Connecting the power cord .....  | 4  |
| Putting the batteries into the remote control unit .....   | 5  |
| Using the remote control unit .....  | 5  |
| <b>UNIQUE FEATURES</b> .....   | 6  |
| About the DEMO mode .....  | 6  |
| About the ONE-TOUCH easy-on feature .....  | 6  |
| How to use ONE-TOUCH buttons .....   | 6  |
| Digital Signal Processor (DSP) .....   | 6  |
| <b>OVERVIEW OF CONTROLS</b> .....  | 7  |
| Front panel .....  | 7  |
| Display .....  | 8  |
| Remote control unit .....  | 9  |
| <b>COMMON OPERATIONS</b> .....   | 10 |
| Amplifier/Tuner .....  | 10 |
| Turning the power ON and selecting sources .....   | 10 |
| Adjusting the volume .....   | 10 |
| Using stereo headphones .....  | 10 |
| Reinforcing the bass sound .....   | 11 |
| Fade/Muting .....  | 11 |
| Selecting the sound modes .....  | 11 |
| <b>BASIC OPERATIONS</b> .....  | 12 |
| Now you can play a variety of CDs! .....   | 12 |
| Triple disc tray usage .....   | 12 |
| Preparation for playing .....  | 12 |
| Inserting/removing the disc(s) .....   | 12 |
| Starting to play disc(s) .....   | 12 |
| Using number keys .....  | 12 |
| Using VCD INDEX .....  | 13 |
| Stopping play .....  | 13 |
| Pausing play .....   | 13 |
| Auto search .....  | 13 |
| Manual search .....  | 13 |
| To use slow motion playback .....  | 13 |
| To use frame-by-frame playback .....   | 13 |
| <b>VARIOUS UNIQUE FUNCTIONS</b> .....  | 14 |
| Programming track sequence .....   | 14 |
| Programming track sequence (front panel) .....   | 14 |
| Canceling a programmed track .....   | 14 |
| Repeating tracks .....   | 14 |
| Randomly playing tracks .....  | 15 |
| <b>OPERATION OF PLAYBACK CONTROL FUNCTION</b> ..   | 16 |
| Playing Video CDs with Playback Control function .....   | 16 |
| Video CD with Playback Control function .....  | 17 |
| <b>GRAPHIC/DIGITAL AUDIO CDS</b> .....   | 18 |
| Playing CD Graphics/digital audio CDS .....  | 18 |
| Playing CD Graphics .....  | 18 |
| Playing digital audio CDS .....  | 18 |
| <b>AM-FM TUNER</b> .....   | 19 |
| Setting the AM tuner interval spacing .....  | 19 |
| Tuning in a station .....  | 19 |
| Presetting stations .....  | 20 |
| Tuning in a preset station .....   | 20 |
| <b>CASSETTE DECK</b> .....   | 21 |
| Listening to tapes .....   | 21 |
| Listening to tapes in deck A or B .....  | 21 |
| Locating the beginning of a song — Music Scan .....  | 22 |
| Fast Forward/Reversing tapes .....   | 22 |
| Continuous play .....  | 22 |
| <b>RECORDING</b> .....   | 23 |
| Recording tapes .....  | 23 |
| Dubbing tapes .....  | 23 |
| Recording on the connected equipment .....   | 24 |
| CD edit recording .....  | 25 |
| CD direct recording .....  | 25 |
| Auto edit recording .....  | 26 |
| <b>KARAOKE</b> .....   | 27 |
| Singing along — Karaoke .....  | 27 |
| Singing along with conventional audio CDs or tapes — Vocal Masking .....                                 | 27 |
| Singing along with Multiplex Karaoke Video CDs without the PBC function or Multiplex Karaoke CD-Gs ..... | 28 |
| Singing along with Multiplex Karaoke Video CDs with the PBC function .....                               | 29 |
| Adjusting music key .....  | 29 |
| <b>USING THE MICROPHONE</b> .....  | 30 |
| Microphone mixing .....  | 30 |
| Recording only through the microphone .....  | 31 |
| <b>USING THE TIMER</b> .....   | 31 |
| Setting the clock .....  | 31 |
| Using recording timer .....  | 31 |
| Setting the daily timer .....  | 32 |
| Setting the sleep timer .....  | 32 |
| Timer priority .....   | 33 |
| <b>MAINTENANCE</b> .....   | 34 |
| Handling compact discs .....   | 34 |
| Handling cassette tapes .....  | 34 |
| Cassette decks .....   | 34 |
| <b>TROUBLESHOOTING</b> .....   | 35 |
| Troubleshooting .....  | 35 |
| <b>SPECIFICATIONS</b> .....  | 36 |

### Checking supplied accessories

After unpacking, check to be sure that you have all the following items:



If any items are missing, consult your dealer immediately.

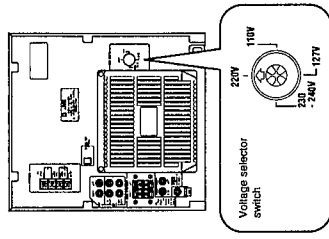
### Types of CDs you can play

Many types of compact discs are sold for a variety of uses. The Video CD Player can play the following compact discs:

- Video CD for audio and video (moving picture) reproduction, including multiplex sound.
  - Video CD with Playback Control function featuring menu-type operation and super-fine still pictures for audio and video (moving picture) reproduction, including multiplex sound.
  - CD Graphics (CD-G) for audio and video (still picture) reproduction, including multiplex sound.
  - Digital Audio CD, including single discs for audio reproduction.
- Do not play back CD-ROMs on this equipment. Doing so may generate a noise which can damage your speakers.

### Adjusting the voltage selector switch

Before plugging in the unit, set the correct voltage for your area with the voltage selector switch on the rear of the System.



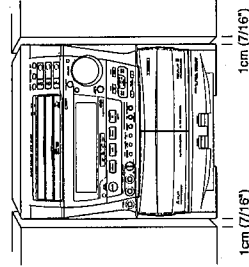
Use a screwdriver to rotate the voltage selector switch so the voltage number the arrow is pointing at is the same as the voltage where you are plugging in the System.

### CAUTION

To avoid damaging CA-V805T, set the voltage selector switch before plugging in the System.

### Laying out the System

Leave a space of at least 1 cm on both sides of the System and at least 10 cm at the back, for ventilation.



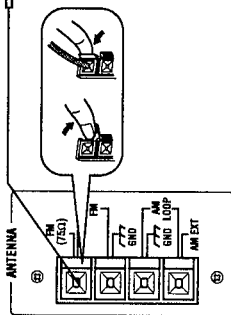


BEFORE USING FOR THE FIRST TIME

BEFORE USING FOR THE FIRST TIME

Connecting the antennas

- FM antenna**  
**Antenna preparations**  
 You need to connect the FM antenna to the back of the System.
- Open the FM antenna wire connectors by pushing them to the side, insert the FM antenna wires, and close them by pushing them back into their original position.
  - Hang the FM antenna on the wall behind the System.

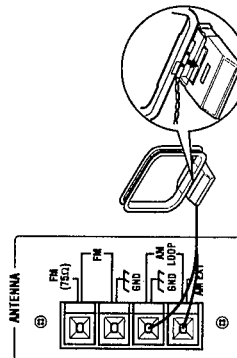


AM antenna

- Connect the AM loop antenna to the AM LOOP terminal as illustrated.
- Turn the AM loop antenna until you have the best reception.

To connect an outside AM antenna

When reception is poor, connect a single vinyl-covered wire to the AM EXT terminal. (The AM loop antenna must remain connected.)



Note

For better reception of both FM and AM Make sure the antenna conductors do not touch any other terminals or connecting cords. Keep the antennas away from metallic parts of the System, connecting cords, and the AC power cord.

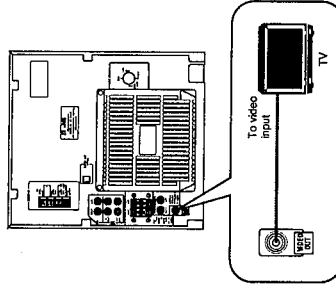
Connecting other equipment

- You can connect the following equipment to this System:
- TV with a video input jack — used as a monitor of VCR playback or video CD playback.
  - VCR — used as a sound playback and sound recording device.
  - Audio/Video equipment such as a digital video disc player — used only as a playback device.
  - Audio equipment with an optical digital input terminal — used only as a digital recording device like MD/DCC player.

Caution

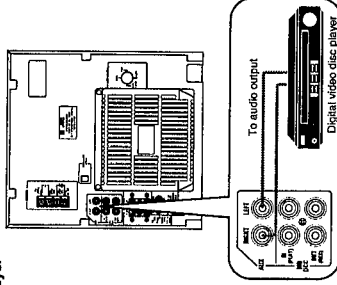
- DO NOT connect other equipment while power is on.
- DO NOT plug in the AC power cord until all connections are complete.

To connect a TV



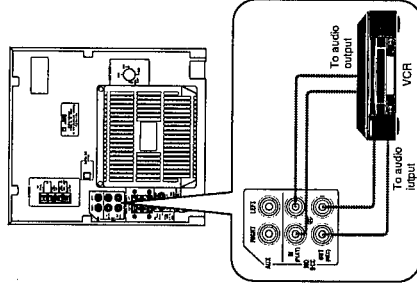
Connect the video input jack on the TV and the VIDEO OUT jack, using the supplied video cord.  
 To view a video CD, you need to connect an NTSC-compatible TV.

To connect audio/video equipment such as a digital video disc player



Connect the audio output jacks on the other equipment and the AUX jacks, using an audio cord (not supplied).

To connect a VCR



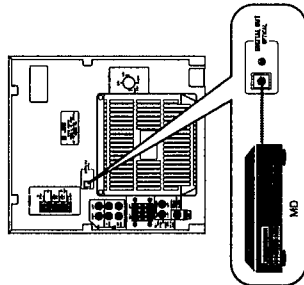
- By using audio cords (not supplied), connect:
- Between the audio input jacks on the VCR and the MD/DCC OUT (REC) jacks,
  - Between the audio output jacks on the VCR and the MD/DCC IN (PLAY) jacks.

**BEFORE USING FOR THE FIRST TIME**

English

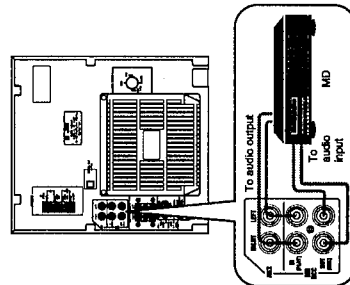
**BEFORE USING FOR THE FIRST TIME**

**To connect MD, DCC and DAT**  
You can connect digital optical equipment with or without using the digital optical terminal.



Before connecting the other equipment, remove the protective plug from the terminal. Connect the digital optical terminal on the other equipment (MD, DCC, DAT) and the DIGITAL OUT OPTICAL terminal on the System, using a digital optical cord (not supplied).

If the digital equipment has no digital optical terminal, connect the audio output terminals to the MD DCC IN (PLAY) jacks, and the audio input terminals to MD DCC OUT (REC) jacks. Make sure to connect the wires correctly: Red to red and white to white.

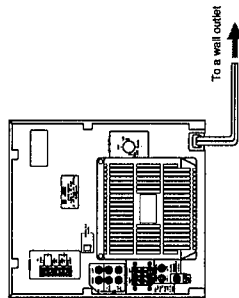


**Notes**

- When recording onto the MD through this terminal, you can record only audio signals of conventional CDs and CD-Gs through this terminal.
- It is not recommended to use the automatic marking function of the MD player since the marking signal cannot be recorded correctly between recorded tracks. It is preferable to use manual marking while recording.

**Connecting the power cord**

NOW, you can plug the power cord.



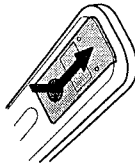
If the wall outlet does not match the AC plug, use the supplied AC plug adaptor.

When the power cord is connected, the STANDBY light on the left-hand side of the System's front panel comes on. [See "Overview of controls" for a description of the controls on the System.]

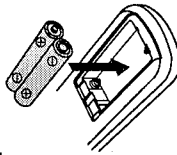
**Putting the batteries into the remote control unit**

The battery compartment is located on the back of the remote control.

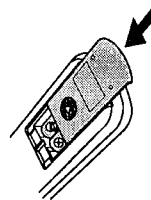
- Press down on the triangular mark of the compartment cover, and slide the cover off to open the compartment.



- Place the two accessory R6P (SUM-3)AA (15F) batteries in the remote control according to the polarity markings (+ and -) inside the compartment and on the batteries.



- Place the cover over the compartment, press down lightly, and push it upward until it snaps on.

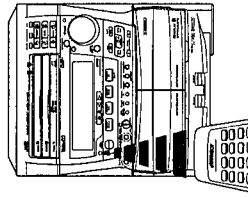


The batteries last about one year with normal use. If function of the remote control become erratic, replace the batteries. See "Precautions for the safe use of batteries" below for more information.

- Precautions for the safe use of batteries**  
Observe the following precautions for the safe use of batteries. Their life will be shortened, they may burst or their contents may leak if they are used improperly:
- Remove batteries from the remote control if it is not going to be used for a long period of time.
  - Remove dead batteries and dispose of them properly.
  - Never leave dead batteries lying around, take them apart, mix them with other refuse, or throw them into an incinerator.
  - Never touch liquid that has leaked out of a battery.
  - Do not mix new and old batteries, or batteries of different types, when replacing them.

**Using the remote control**

The remote control is ready to use when its batteries are installed properly. To use it, point its infrared light-emitting window toward the display window of the System and press a button. The operating range of the remote control is up to about seven meters in front of the System and within about 30 degrees to each side — with nothing between the remote control and the System interrupting the beam path. If pressing a button on the remote control does not produce any response, check to make sure it is pointed correctly and try again. If it still does not function, check the batteries.



# UNIQUE FEATURES

## About the DEMO mode

The Compact Component system CA-V805T is equipped with a DEMO mode which is designed to introduce different features of the system to you. This DEMO mode will display these different features to you on the display screen. This feature will be turned on automatically when you plug in your system. To turn the DEMO mode off, push the DEMO button once while the System is off. The words "DEMO OFF" will appear in the display. (The System must be turned off to turn the demo feature off.)

## About the ONE-TOUCH easy-on feature

This feature lets you start your system with ONE-TOUCH ease. When you approach the system the one touch easy-on buttons will start to blink and display the functions that are available to you. All you need to do is push any of the blinking buttons and the System will automatically turn on and start to play the chosen feature. When you push a blinking CD tray button that has no CD in it the tray will open. To turn off the blinking buttons, and retain the easy-one feature, turn the System off and while holding down the STOP/CANCEL button, press the POWER button. The word "GUIDE OFF" will appear on the screen.

## How to use ONE-TOUCH buttons

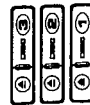
### Changing the source

When you turn the power on, the indicator lights on the source buttons will turn to green and when you choose a certain source, that button will turn to red.



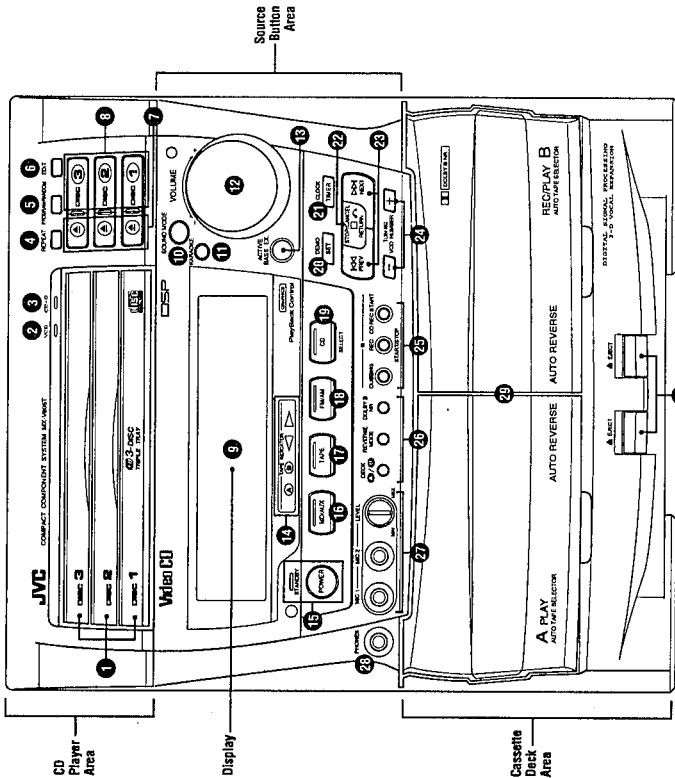
### The disc buttons

- When the power cord is connected, only the disc tray buttons with CDs loaded in them will light. The light will change from green to red when they start to play.
- After you plug in the power cord after it has been disconnected, or power has been restored after a power outage, the ONE-TOUCH buttons will not illuminate.



# OVERVIEW OF CONTROLS

See pages in the parentheses for details.



## Front Panel

### CD player area

|                       | Main Ref. | Page |
|-----------------------|-----------|------|
| Disc trays            | P. 12     |      |
| VCD indicator         | P. 12     |      |
| CD-G indicator        | P. 18     |      |
| REPEAT button         | P. 14     |      |
| PROGRAM/RANDOM button | P. 14, 15 |      |
| EDIT button           | P. 26     |      |
| Open/close buttons    | P. 12     |      |
| Disc buttons          | P. 12     |      |

### Display

- Display (See page 8 for description)

### Source button area

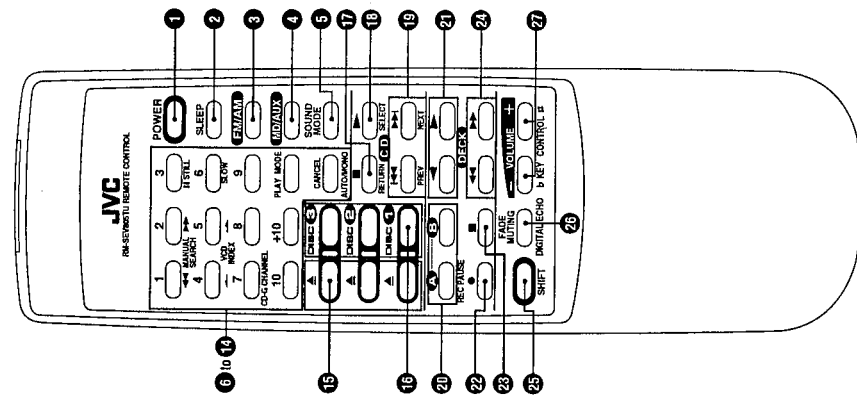
|                   |       |
|-------------------|-------|
| SOUND MODE button | P. 11 |
| KARAOKE button    | P. 27 |

|                                    |               |
|------------------------------------|---------------|
| VOLUME knob                        | P. 10         |
| ACTIVE BASS EX. (Extension) button | P. 11         |
| TAPE INDICATOR                     | P. 21         |
| STANDBY indicator/POWER button     | P. 10         |
| MD/AUX selector button             | P. 10         |
| TAPE selector button               | P. 21         |
| F.M./A.M. selector button          | P. 19         |
| CD selector button/SELECT button   | P. 12         |
| DEMO mode/SET button               | P. 6, 20      |
| TIMER/LOCK button                  | P. 31         |
| STOP/CANCEL/RETURN button          | P. 13, 16     |
| PREV/NEXT buttons                  | P. 13, 16, 22 |
| TUNING/VCD NUMBER buttons          | P. 13, 19     |
| Record control buttons             | P. 23         |
| Tape control buttons               | P. 21         |
| MIC jack/MIC LEVEL knob            | P. 30         |
| PHONE jack                         | P. 10         |

### Cassette deck area

|               |       |
|---------------|-------|
| Tape deck A/B | P. 21 |
| EJECT buttons | P. 21 |

OVERVIEW OF CONTROLS



Remote Control Unit

Function and number buttons

- 1 POWER button
- 2 SLEEP button
- 3 FM/AM button
- 4 MD/AUX button
- 5 SOUND MODE button
- 6 1, 2 buttons —  $\leftarrow$   $\rightarrow$  MANUAL SEARCH (S)
- 7 3 button —  $\parallel$  STILL (S)
- 8 4, 5 buttons —  $\leftarrow$   $\rightarrow$  VCD INDEX (S)
- 9 6 button — SLOW (S)
- 10 7 button — CD-G CHANNEL (S)
- 11 8, 9, 10 button
- 12 +10 button (enables 11 thru 99 number selection)
- 13 PLAY MODE button
- 14 CANCEL button — AUTO/MONO (S)

CD buttons

- 15  $\blacktriangle$  Open/case buttons
- 16 Disc buttons
- 17 RETURN/STOP button
- 18 SELECT/PLAY button
- 19  $\leftarrow$   $\rightarrow$  PREVIOUS/NEXT buttons

Cassette deck buttons

- 20 A/B Deck select buttons
- 21  $\leftarrow$   $\rightarrow$  PLAY buttons
- 22 REC/PAUSE button
- 23 STOP button
- 24  $\leftarrow$   $\rightarrow$  Fast forward/Reverse buttons

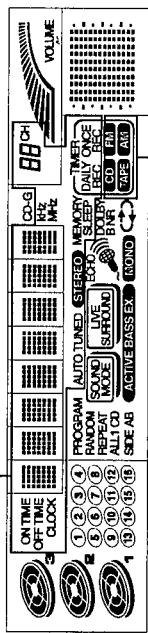
System Control buttons

- 25 SHIFT button (enables buttons to have various different functions)
  - 26 FADE MUTING button — DIGITAL ECHO (S)
  - 27 VOLUME buttons — KEY CONTROL-button (S)
- (S): The buttons with the (S) mark after them have different functions when used in unison with the SHIFT button.

OVERVIEW OF CONTROLS

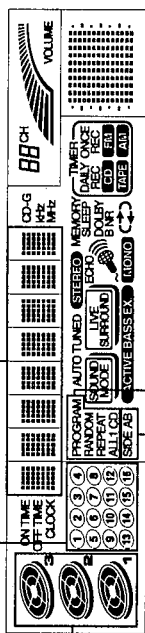
Display

- Tuning display • Time display • Timer display • Record Timer and Recording Source Indicator
- Sleep timer and Source indicator • FM/AM band indicator • Preset channel indicator • All message display



Daily Timer and Source indicator

- Number of songs and currently playing song indicator
- Currently playing song and time display
- Program play order



Disc indicator

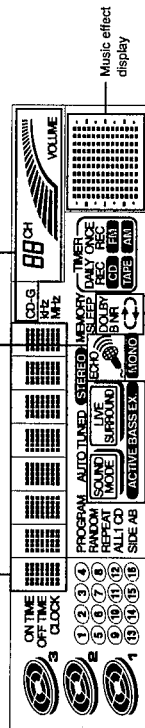
CD edit indicator

- PROGRAM: Program performance mode
- RANDOM: Random performance mode
- REPEAT ALL: Repeat all mode
- REPEAT 1: Repeat 1 mode

KEY #1~KEY #6  
KEY #1~KEY #6  
D.ECHO 1  
D.ECHO 2  
D.ECHO 3

- This displays the six different musical intervals.
- This displays the 3 different echo levels.

- When KARAOKE is on, this display will light.
- When ECHO is on, this display will light.
- ECHO: Radio channel display
- Volume level display



Music effect display

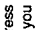
- When ACTIVE BASS EX. is on, this display will light.
- The DOLBY B NR display
- Reverse mode display

# COMMON OPERATIONS

## Amplifier/Tuner

### Turning the power ON and selecting sources

When you press the play button for a particular source, the System automatically turns on and starts playing the source.

To select the auxiliary equipment as the source, press  so that the System automatically turns on (when you press MD/AUX the System will turn on, but the AUX equipment will not start to play).

When using the remote control, press MD/AUX. Each time you press the button, the source alternates between MD and AUX.

To turn on the System without playing, press POWER button so that the STANDBY indicator turns off.

To turn off the System, press POWER button again so that the STANDBY indicator lights red.

Some energy (20 watts) is always consumed even while the System is in standby mode.

To switch off the power supply completely, unplug the AC power cord from the AC outlet.

**Note**  
When you unplug the AC power cord or power failure occurs the clock is reset to 0:00 right away, while the tuner preset stations will be erased in a few days.

# COMMON OPERATIONS

### Reinforcing the bass sound

When using the ACTIVE BASS EX., the richness and fullness of the bass sound is maintained regardless of how low you set the volume.

You can use this effect only for playback.

To get the effect, press the ACTIVE BASS EX. (Active Bass Extension) button so that the ACTIVE BASS EX. indicator lights up in the display.



To cancel the effect, press the button again so that the indicator goes off.

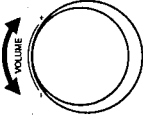
### Fade/Muting

When you press the FADE MUTING button (on the remote control) the volume will automatically fade out. If you press the button again it will return to its previous level.



### Adjusting the volume

Turn the VOLUME knob clockwise to increase the volume or counterclockwise to decrease it.

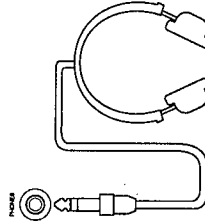


When using the remote control, press VOLUME + to increase the volume or press VOLUME - to decrease it.



### Using stereo headphones

Connecting stereo headphones  
Connect stereo headphones to the PHONES jack at the middle-left of the front panel.



**Note**  
For private listening  
Connect a pair of headphones to the PHONES jack. No sound comes out of the speakers. Be sure to turn down the volume before connecting or putting headphones on.

**Caution**  
DO NOT turn on the unit and/or start playing any source without setting VOLUME to MIN; otherwise, the sudden blast of sound can damage your hearing, speakers and/or headphones.

### Selecting the sound modes

You can use only one mode at a time. Sound modes can be used for playback and for recording.

To select the sound modes, push the SOUND MODE button until the sound mode you want appears in the display.



The SOUND MODE indicator lights up. (When selecting one of the Live Surround modes, the LIVE SURROUND indicator also lights up.)

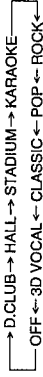
#### Sound modes

- D.CLUB: Increases resonance and bass.
- HALL: Enhances the mid-frequency range which human voice is mostly made up of, like in a concert hall.
- STADIUM: Adds clarity and spreads the sound, like in an outdoor stadium.
- KARAOKE: Puts your voice in instead of the vocals.
- ROCK: Gives a feeling of a live atmosphere. Good for rock music.
- POP: Enhances the vocals of the music.
- CLASSIC: Adds depth and brilliance to the sound.
- 3D VOCAL: Adds depth and dimension to the music.
- indicates a sound mode that incorporates live surround sound.

To cancel the effect, press the sound mode until the word "OFF" appears on the display.

#### When using the remote control

Press SOUND MODE button repeatedly until the sound mode you want appears in the display. Each time you press the button, the modes change as follows:



BASIC OPERATIONS

BASIC OPERATIONS

Now you can play a variety of CDs!!

Triple disc tray usage

Up to three (3) discs can be loaded in the System. You may insert a disc into any of the disc trays 1 through 3 whichever you prefer.

If you want to play only a specified disc, press the corresponding disc 1, 2, or, 3 button located to the right of the OPEN/CLOSE button.

When three discs are inserted, basic order of playing is as following.

- Pressing DISC 1: DISC 1 → DISC 2 → DISC 3 → STOP
- Pressing DISC 2: DISC 2 → DISC 3 → DISC 1 → STOP
- Pressing DISC 3: DISC 3 → DISC 1 → DISC 2 → STOP



Preparation for playing

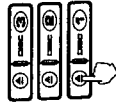
The CA-V805T is equipped with an ONE TOUCH easy-on feature that lets you turn the System on with one easy touch. Just press the button of the source you want to play and it will start to play.



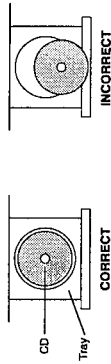
Inserting/removing the disc(s)

Press the OPEN/CLOSE button (1 through 3) to open the disc tray. Then place the disc in the round recess of the tray with the label side up. To close the tray, press the OPEN/CLOSE button again.

If you press the OPEN/CLOSE button of the playing disc, the player stops and then opens the tray. If you press the OPEN/CLOSE button of a disc that is not being played, you can change discs without stopping play.

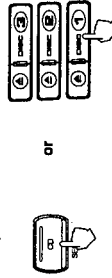


- Note**
- When loading a disc in the disc tray, be sure to position the disc inside the recess. Otherwise, the disc will be damaged when the disc tray is closed, and the disc cannot be removed from the System.



Starting to play disc(s)

Press the SELECT (PLAY) button. The player starts to play from the disc indicated in the display window. Press one of the DISC 1 through 3 buttons and the player plays the disc you pressed, from the 1st track. For individual track selection, use the number keys (1 to 10 and +10 button) on the remote control.

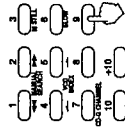


When you start play, the display window shows disc number and the track number being played. If the disc is a Video CD, the VCD indicator on the front panel will light up.

Using number keys

Press the number keys to select numbers.

On the remote control ..... 1 to 10 and +10 key  
Example: For number 5, press 5. For number 15, press +10, then 5. For number 20, press +10, then 10. For track 32, press +10 three times, then 2.



Using VCD INDEX

An index is a pre-recorded mark to locate a particular point in a disc. If a disc has indexes recorded, it is mentioned on the printed surface of the disc or on the disc's package.

This function is handled by the remote control. Hold down the SHIFT button and select the index number by pressing the VCD INDEX button.



Stopping play

To stop a disc, push the STOP/CANCEL button once.



Pausing play

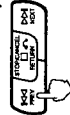
Press the CD button to temporarily suspend play.

To restart play press the CD button once again. On the remote control, while pressing the SHIFT key press the STILL button.

To restart play, press the SELECT play button on the remote control.

Auto search

On the System, during play, pressing the PREVIOUS button once causes the player to replay the current track from the beginning. Pressing the PREVIOUS button twice causes the player to play the previous track. Pressing the NEXT button once causes the player to skip to the next track.



On the remote control, pressing the PREVIOUS/NEXT buttons cause the disc to skip to the next or previous track.

Manual search

This function is handled by the remote control. To reverse/fast forward, hold down the SHIFT button and press either REVERSE or FAST FORWARD of the MANUAL SEARCH (No. 1, 2) buttons. Continuing to hold down the buttons causes it to search much faster.

To use slow motion playback

During playback of a video CD, hold down the SHIFT button, and then press the SLOW button. Each time you press the button, the slow motion speed decreases 1 level until the slowest speed is reached. During slow motion playback, no sound comes out. To resume normal playback, press STOP on the remote control.

To use frame-by-frame playback

During playback of a video CD, hold down the SHIFT button and then press the STILL button. Play pauses and you see a still picture on the TV screen. Then each time you press the button, still pictures advance by one frame. During frame-by-frame playback, no sound comes out. To resume normal playback, press STOP on the remote control.

Notes

- If you do not advance the still picture for about 5 minutes, the CD player automatically stops, the still picture disappears and the blue screen appears on the TV screen.
- If you cannot restore normal playback after using the slow motion or frame-by-frame playback.
  - Press the RETURN button and then restart play.
  - Press the RETURN button to go back to the menu and then restart play.

VARIOUS UNIQUE FUNCTIONS

VARIOUS UNIQUE FUNCTIONS

Programming track sequence

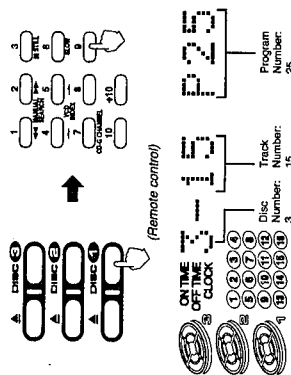
Preparation It is not possible to enter programming mode during play. Verify whether the Player is playing. If playing, stop the player.

Operation 1. Press the PLAY MODE button until PROGRAM is displayed.



2. Specify the disc by the DISC (1 through 3) button and then the track by the number keys successively. You can program up to thirty two (32) tracks by repeating this procedure.

3. To play the programmed track press the SELECT button on the remote control.



Programming track sequence (front panel)

Operation 1. Press the PROGRAM/RANDOM button until PROGRAM appears in the display window. 2. Press the disc button to designate the disc you want to program. 3. Press the PREVIOUS button to designate the track number you want to program. 4. Press the SET button to enter your selection into programming. 5. Continue with this procedure until all desired programming is completed, and press the CD SELECT button.

Canceling a programmed track

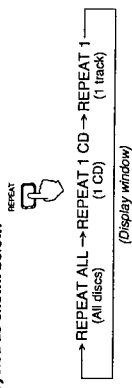
Operation The Player must be stopped to cancel a track. Once you have stopped the Player, press the STOP/CANCEL button and the last programmed track is canceled. The next track to be played and the number of programmed tracks left are displayed on the display screen.

Repeating tracks

It is possible to repeat all discs, repeat (1) CD or repeat 1 song.

Preparation This function is controlled by the REPEAT button on the front panel of the Player.

Operation By pressing the REPEAT button, REPEAT modes are cycled as shown below.



Notes When playing a programmed sequence of tracks, REPEAT ALL, and REPEAT 1 are available. When playing a disc with the Playback Control function, the repeat function is not available.

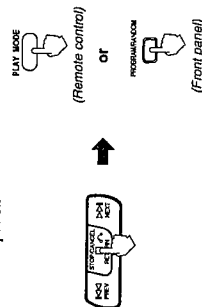
Randomly playing tracks

Preparations This function is controlled on the front panel and on the remote control. This function plays tracks randomly from all trays in which CDs are loaded.

Operation 1. Stop the player. 2. Press the PLAY MODE or PROGRAM/RANDOM button until "RANDOM" appears in the display window.



3. Press PLAY button. 4. To cancel random playing, after stopping the player [STOP/CANCEL button], press the PLAY MODE button on the remote control or PROGRAM/RANDOM button on the front panel.



Notes Random is not available in program mode. In RANDOM mode, only REPEAT ALL and REPEAT 1 functions are available.

# OPERATION OF PLAYBACK CONTROL FUNCTION

## Playing Video CDs with Playback Control function

This System provides a Playback Control function which utilizes a procedure (menu selection) programmed in a video CD. The playback operation procedure may differ depending on the disc you use.

The Playback Control function is described below and in the figure.

- High-resolution still image display - Super-fine reproduction of still images with more than 4 times the resolution of video tape.
- Menu-driven playback - interactive menus for easy selection of tracks

### Preparations

- A video CD with the Playback Control function is required for this operation.
- The buttons available for use are on the remote control, are the **PREV/NEXT** buttons, **CD SELECT** button, **DISC** (1 through 3) buttons, **RETURN** button and the number keys.

### Button functions

**PREV/NEXT** buttons .. Move through menu.  
**CD SELECT** button ..... Starts up a video CD with the PBC function in DISC tray 1 to 3.

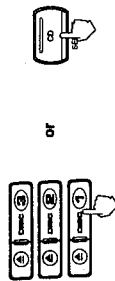
**DISC** (1 through 3) buttons ..... Start up a video CD with the PBC function in the specified DISC tray.

**RETURN** button ..... Returns to the menu.  
 Number keys and +10 button ... Select a specific menu item from the

television screen or monitor.  
**MANUAL SEARCH** ..... To use manual search while playing a video CD, hold down the **SHIFT** button, and press the **MANUAL SEARCH** button on the remote control.

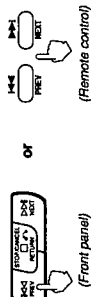
**Note**  
 Sometimes due to improper manufacturing video CDs will function differently.

Operation  
 1. Press the **DISC** (1 through 3) or **CD SELECT** button, and then the Player starts up the PBC function. "PBC" is shown in the Display Window.



### VIDEO CD → PBC

2. To move through the menus, press the **PREV**/ **NEXT** buttons.



3. When the menu you want appears, select an item in the menu by using the number keys. The numbers on the number keys correspond to the menu item numbers.

On the front panel  
 Press the **VCD NUMBER** button (1/2/3) and then **CD SELECT** button.

On the remote control  
 Press the number key and your selection will start to play.

4. To return to a menu and stop the track being played, press the **RETURN** button.



### Notes

- Page numbers in the menu show that preceding pages exist. To move from the current menu, press the **PREV/NEXT** buttons.
- When you press number keys, the track will start playing without pressing the **SELECT** button.
- When there is only one menu, pressing the **NEXT** button will cause the System to start playing.

# OPERATION OF PLAYBACK CONTROL FUNCTION

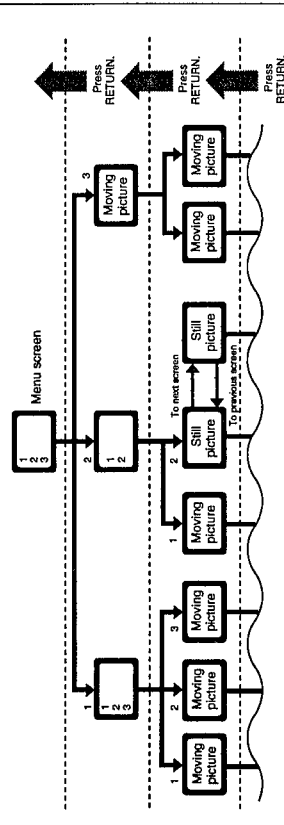
## Video CD with Playback Control function

- Menu-driven playback  
 You can interact with the screen using a menu display to select and play an entry.
- High-resolution still image display  
 You can display high-quality images four times clearer than video pictures.

### What is the Playback Control function?

The Playback Control function, ushering in a new video CD age, allows you to enjoy menu-driven operation and high-resolution still images having a resolution four times greater than video pictures.

### Example of playback by the Playback Control function



A selection menu is displayed when you start playing a video CD disc with the Playback Control function. The selection menu shows a list of numbers for selection. Some discs may show moving pictures or a divided screen.

1. When a list of numbers is displayed, selecting a number shows its contents.
2. When a moving picture is displayed, pressing **SELECT** at the time when a part of the movie you desire is shown plays the movie.
3. When the selection menu is redisplayed after you have played your selection, selecting a number again can replay its contents. (Some discs may show the menu screen several times.)

When "Next" and "Prev" are shown, pressing "NEXT" or "PREV" can change the selection menu.

4. After playback, press **RETURN** to go back to the previous screen.  
 After playback, pressing **RETURN** for 2 seconds or more causes it to go back to the previous menu selection. Some discs may return you to the menu screen shown before playback.

### Notes

- When a menu is displayed for a long time, about 10 minutes, the screen background automatically fades out to prevent screen burn-in while the setting is suspended.
- When using the **REPEAT** function the PBC function is not available.



## AM-FM TUNER

### Playing CD Graphics

Basic video CD-playing procedures apply although the pictures are still. A graphic picture CD is identified by "GRAPHICS" shown on the display and the CD-G indicator will lit on the front panel.

**To select the CD graphic channel**  
If the CD-G has patterns (up to 15) of graphics (they are called "graphic channels"), you can select the one you want. You can find out whether or not the CD-G has graphic channels by looking at its package or the printed surface of the disc.

**To change the graphic channel**, press CD-G CHANNEL repeatedly until the graphic channel you want appears on the TV screen.

#### Notes

- The following operations may distort the image on the screen.
  - Searching for starting point of music
  - Fast forwarding/reversing
  - Stop/pause
- If paused, the screen changes to blue in a few minutes. This is to prevent burn-in of the TV screen.
- When you use as Karaoke, see page 28.

### Playing digital audio CDs

Basic video CD-playing procedures apply to the reproduction of sound.

To record a CD onto a cassette tape, see page 23.

## GRAPHIC/DIGITAL AUDIO CDS

### Playing CD Graphics/ digital audio CDs

Before listening to FM and AM broadcasts, check the following:

- Both the FM and AM antennas are firmly connected.
- Check the AM tuner interval spacing (9 kHz or 10 kHz) for your area.

### Setting the AM tuner interval spacing

Some countries space AM stations 9 kHz apart, and some countries use 10 kHz spacing.

When shipped, the built-in AM tuner is set to 9 kHz spacing.

**To set the AM tuner to the 10 kHz spacing**, be sure that the unit is turned off, but is plugged into a wall outlet. Hold down **▶▶NEXT** and then press **POWER**.

**To set it back to the 9 kHz spacing**, be sure that the unit is turned off, but is plugged into a wall outlet.

Hold down **◀◀PREV** and then press **POWER**.

### Tuning in a station

#### Operation

- Press **FM/AM**.



The unit automatically turns on and tunes in the most recent station (either FM or AM).

Each time you press the button, the band alternates between FM and AM.

- Press and hold **TUNING - or +**.



The unit starts searching stations and stops when a station of sufficient signal strength is tuned in.

The **TUNED** indicator lights up in the display. If a FM program is broadcast in stereo, the **STEREO** indicator also lights up.

**To stop during searching**, press **TUNING - or +**.

**When using the remote control unit**  
Pressing **FM/AM** button, **FM** or **AM** automatically turns on the remote control and starts tuning in the most recent FM or AM station respectively.

#### Note

When you press **TUNING - or +** briefly and repeatedly, the frequency changes step by step.

#### To change the FM reception mode

When an FM stereo broadcast is hard to receive or noisy, press **AUTO/MONO** on the remote control, so that the **AUTO** indicator goes off in the display. Reception improves, but there are no stereo effects. In this monaural mode, static is produced (since muting is also canceled).

**To restore the stereo effect**, press **AUTO/MONO** so that the **AUTO** indicator lights up. In this stereo mode, static is not produced, and you can hear stereo sounds when a program is broadcast in stereo.

# CASSETTE DECK

## Listening to tapes

You can play back type I, type II, and type IV tapes without changing any settings.

- Type I ..... Normal
- Type II ..... High Position
- Type IV ..... Metal (For listening only, not recordable)

However, before you start play, you need to check the type of the Dolby NR\* system used for the tape you play. Only the Dolby B NR is incorporated into this unit.

To play a tape recorded with the Dolby NR system Press DOLBY B NR to activate the Dolby B NR system.



The DOLBY B NR indicator lights up. The system works for both decks at the same time.  
To cancel the Dolby NR system, press the button again so that the indicator turns off.

### To play both sides repeatedly — Reverse Mode

Press REVERSE MODE button so that the REVERSE MODE indicator in the display window is lit. Reverse Mode works for both decks at the same time.



The tape automatically reverses at the end of a side and start playing the other side, and repeats the same process.  
To cancel Reverse Mode, press the REVERSE MODE button again so that the indicator turns to .

## Listening to tapes in deck A or B

By pressing the TAPE button, you can turn on the unit, and start playing a tape if a tape is in the deck.

### Operation

1. Press EJECT for the deck you want to use.
2. Put the cassette in, with the exposed part of the tape down.
3. Close the cassette holder gently.
4. Press TAPE and the Player will start the side the tape indicator shows.



To play the opposite side of the tape, press the TAPE button again. When the tape plays to the end, the deck automatically stops if the Reverse Mode is not on. (See "To play both sides repeatedly — Reverse Mode.")

On the Player to stop during play, press STOP/CANCEL. To reverse or forward, press PREV/NEXT and the TAPE button to start the tape playing again.  
To remove the cassette, press EJECT.

### Note

When cassette tapes are loaded into both deck A and B, you can choose the deck to play by pressing the DECK / button on the front panel, or the or buttons on the remote control. Tape indicator shows you which deck will be activated.

\* Dolby noise reduction manufactured under license from Dolby Laboratories Licensing Corporation.  
"DOLBY" and the double-D symbol are trademarks of Dolby Laboratories Licensing Corporation.

## AM-FM TUNER

### Presetting stations

You can preset 10 stations each for FM and AM.

#### Operation

1. Press FM/AM button and then TUNING - or + to tune in the station you want to preset. See "Tuning in a Station" on the previous page.
  2. Press SET.
  3. Press PREV/NEXT to select a channel number while the MEMORY indicator is blinking in the display.
  4. Press SET again.
- The MEMORY indicator goes off in the display.

#### To erase the preset stations

Storing a new station on a used number erases the previously stored one.

#### Note

When you unplug the AC power cord or power failure occurs, the preset stations will be erased in a few days. If this happens, preset the stations again.

### Tuning in a preset station

#### Operation

1. Press FM/AM. The unit automatically turns on and tunes in the most recent station (either FM or AM). Each time you press the button, the band alternates between FM and AM.
2. Press and hold PREV/NEXT until the channel number you want appears in the display.

#### When using the remote control

You can select a preset station directly by specifying its channel number.

#### Operation

1. Press FM/AM. The System automatically turns on, and then by pressing the FM/AM button, the System will switch from the most recently selected FM or AM station.
2. Press the number button (1 — 10) to select your preset channels.

#### Note

If you want to use the number buttons on the remote control to select the preset radio stations, you must select FM or AM from the remote control's FM/AM button.

CASSETTE DECK

RECORDING

English

Locating the beginning of a song — Music Scan

You can use Music Scan to locate the beginning of a song. Music Scan searches for blank portions that usually separate recorded songs, then plays the next song.

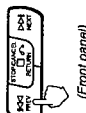
To find the beginning of the current song During play, press [REVERSE] [PREV/NEXT] in the opposite direction to the tape play. Searching stops automatically at the beginning of the current song, and the current song starts again automatically.

To find the beginning of the next song During play, press [REVERSE] [PREV/NEXT] in the same direction as the tape play. Searching stops automatically at the beginning of the next song, and the next song starts automatically. On the remote control, to locate the beginning of the current or next song, press [REVERSE] [PREV/NEXT] buttons.

- Notes
• You may stop music scan and start play again by pressing the TAPE button.
• Music Scan works by detecting a 4-second long blank between each song, so it won't work well in the following cases.
• No blank at the beginning of a song.
• Noise (often caused by much use or poor quality dubbing) which fills the blank with noise.
• Long, very soft passages or pauses in a song.

Fast forward/Reversing tapes

To fast forward/reverse tapes, first press the [STOP]/[CANCEL] button and the one of the [REVERSE] [PREV/NEXT] buttons.



(Front panel)

On the remote control, press the [STOP] and then one of the [REVERSE] [PREV/NEXT] buttons.



(Remote control)

Continuous play Playing tapes in deck A and B

You can play tapes in deck A and B continuously.

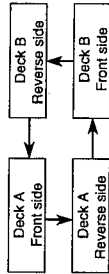
Operation

- 1. Press EJECT for both decks.
2. Put cassettes into both decks, with the exposed part of the tape down.
3. Close the cassette holders gently.
4. Press [TAPE] TAPE and the PLYER will start the side the tape indicator shows.
The direction indicator starts blinking and tape play starts. When a tape finishes playing, the unit checks to see if a tape is in the other deck. If one is there, it automatically starts playing it.

To stop play, press the [STOP]/[CANCEL] button.

Notes

- How Continuous Play actually works — When Reverse Mode is on:
• After the reverse side of the tape finishes playing, the tape in the other deck starts playing. The tapes continue to play in the sequence below.



When Reverse Mode is off:

- After one side of the tape finishes playing, the tape stops.

You can record using deck B, connected VCR and connected digital recording equipment.

Recording tapes

You can use type I and II tapes for recording. You can only record on deck B.

Operation

- 1. Press EJECT for the deck B.
2. Put in the cassette to record onto, with the exposed part of the tape down.
3. Close the cassette holder gently.
4. Press REC START/STOP so that the REC indicator lights up.
5. Start playing the source — FM, AM, CD player, deck A, or auxiliary equipment connected to VCR and AUX jacks by pressing the desired button. When the source is deck A, you can also use the dubbing method. (See "Dubbing Tapes.")



To stop recording, press REC START/STOP button. To stop recording temporarily, press REC PAUSE on the remote control.

To resume recording, press REC START/STOP button or [REVERSE] button on the remote control.

To record a tape with the Dolby NR system (except when the source is deck A)

Press DOLBY B NR to activate the Dolby B NR system. The DOLBY B NR indicator lights up.

To cancel the Dolby NR system, press the button again so that the indicator turns off.

To record on both sides — Reverse Mode Press REVERSE MODE so that the REVERSE MODE indicator [REVERSE] lights up.

When the source is deck A, see "Dubbing Tapes." To cancel Reverse Mode, press the REVERSE MODE button again so that the indicator turns off.

To record a tape with the sound modes (except when the source is deck A)

Before you start recording, select the sound mode you want by pressing the SOUND MODE button. You can record in any one of the modes.

CAUTION

The use of the 120 minutes long or thinner tape is not recommended, since characteristic deterioration may occur and this tape easily jams in the pinch-rollers and the capstans.

Dubbing tapes

You cannot dub tapes with the sound modes. It is preferable that the tape type (type I or II) you record from be the same as the tape type you record onto when dubbing tapes.

Operation

- 1. Put the source cassette in deck A, and the cassette to be recorded onto in deck B.
2. Press DUBBING button on the front panel.



Dubbing starts. (The System will automatically find the beginning of both tape and start to record.)

To stop during dubbing, press REC START/STOP button.

To dub both sides — Reverse Mode

Press REVERSE MODE so that the Reverse Mode indicator [REVERSE] is lit, and start from the front sides for both deck A and B. To cancel Reverse Mode, press the REVERSE MODE button again so that the indicator turns to [REVERSE].

Note

The Dolby NR system is inactive during dubbing. The dubbed tape automatically contains the same processing as the source tape. The DOLBY B NR indicator automatically turns off.

To protect your recording

Cassettes have two small tabs on the back to protect unexpected erasure or re-recording.

To protect your recording, remove these tabs. To re-record on a protected tape, cover the holes with adhesive tape.

When using type II tape, be careful not to cover the holes used to detect the tape type.



## CD edit recording

### Recording on the connected equipment

You can record sounds on the VCR connected to the MD DCC OUT (REC) jacks on the rear panel. Also you can record digital sounds through the DIGITAL OUT OPTICAL terminal. Before you start recording, refer also to the manuals supplied for the connected equipment.

#### Operation

##### Start playing the source and recording.

##### For recording on VCR:

You can select the sources: FM, AM, deck A and B, CD player, and the equipment connected to the AUX jacks. When you start recording from the equipment connected to the AUX jacks, select .

Refer to page 3 and the manual for the connected equipment.

##### For recording on the digital equipment; — MD, DCC, DAT

You can play only the conventional audio CD and the CD-G as the source.

#### Notes

- You cannot adjust the recording level manually. Recording level is fixed.
- You can not record on the connected digital equipment from Video CDs.

#### CAUTION

- It may be unlawful to record or playback copyrighted material without the consent of the copyrighted owner.
- If recording you make have excessive noise or static, the unit may be too close to a TV. Increase the distance between the TV and the unit.

You have 2 ways, except the standard method described on page 23, to record from disc (conventional audio CD, CD-G, and video CD without the PBC function) to tape. **CD Direct Recording**—Everything on the disc onto the tape in the order it is on the disc.

**Auto Edit Recording**—The unit arrange which tracks to be recorded on which side of the tape, so a track isn't cut off at the end of the tape.

### CD Direct Recording

This is the easiest way of recording a disc.

#### Operation

- Put the cassette to record onto in deck B.
- Place a disc correctly on the circle of the disc tray, with its label side up.
- Press CD REC START.



(Front panel)

"CD REC" appears in the display.

Deck B starts recording and the CD player starts playing.

To stop during CD Direct Recording, press ■ STOP/CANCEL button.

When you press ■ STOP/CANCEL button, you can make a 4-second blank at the end of recording.

#### Note

— How CD Direct Recording Actually works — Deck B records tracks in the order on the disc. If the tape ends while recording a track, deck B rewinds the tape to the beginning of the track and re-records it so that it fades out naturally at the end of the tape.

If recording is continued to the reverse side, a 10-second blank is created at the beginning of the reverse side. Then the reverse side starts from last track recorded on the front side and will fade out at the end of the tape again.

To record a tape with the Dolby NR system Press DOLBY B NR to activate the Dolby B NR system. The DOLBY B NR indicator is shown on the display.

To cancel the Dolby NR system, press the button again so that the indicator turns off.

To record on both sides — Reverse Mode

Press REVERSE MODE so that the REVERSE MODE indicator is lit on the display.

To cancel Reverse Mode, press the button again so that the indicator turns off.

To record a tape with the sound modes

Before you start recording, select the sound mode you want. You can record with any one of the preset the sound modes.

#### Notes

- You can record a set of programmed tracks using CD Direct Recording. Before you press CD REC START, make a program as you want. To make a program, see page 14.
- You can use Repeat Play during CD Direct Recording. To repeat a disc or a track, see page 14.

**RECORDING**

**Auto Edit Recording**

The unit automatically arranges the tracks on a disc to fit the tape. The selection of which tracks go on which side of the tape is based on the lengths of the tracks and the length of the tape.

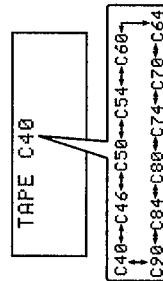
**Operation**

1. Put the cassette to be recorded onto in deck B.
2. Place a disc correctly in the circle of the disc tray, with its label side up.
3. Press **REVERSE MODE** so that the **REVERSE MODE** indicator (REVERSE MODE) lights up.
4. Press **EDIT**. "DISC ?" appears in the display, and then the tape length best to use appears.



5. Press the disc button of the disc you want to record from.

If the tape you want to record on is a different length, press **PREV/NEXT**. The tape length shown in the display cycles as follows so you can select a different tape length.



6. Press **SET** when the length tape you want to use appears in the display. The display shows which tracks go on the front side (A) and which on the reverse side (B).



Each time you press the button, the display alternates to show the tracks for the front side (A) and those for the reverse side (B).

**KARAOKE**

**Singing along — Karaoke**

English

You can enjoy singing along using conventional audio CDs (or tapes), CD-Gs and video CDs.

**Singing along with conventional audio CDs or tapes — Vocal Masking**

When playing a stereo recorded source such as conventional audio CDs or tapes, you can reduce the lead vocal and replace it with your voice by singing into the microphone. Usually stereo recorded CDs are the best source for Vocal Masking.

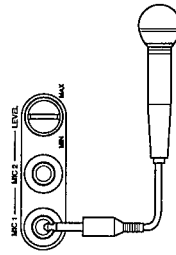
**What Vocal Masking actually does**

Vocal Masking reduces the lead vocal (but never erases it). The following sources are not good for Vocal Masking.

- Monaural sources
- Multiplex karaoke tapes and discs
- Poorly dubbed tapes
- Stereo recorded source, but with only few instruments, with duets, or with strong echo

**Operation**

1. Turn down **MIC LEVEL** fully.
2. Connect the microphone (not supplied) into the **MIC** jack on the front panel.
3. Play the source — a CD, a tape, or other.



4. Press the **KARAOKE** button until "V. MASK" appears on the display.

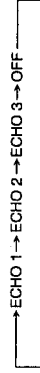
5. Turn **MIC LEVEL** and **VOLUME** to adjust the microphone level and the sound output level.
6. Sing into the microphone.

**Note**

You can adjust both **MIC 1** and **MIC 2** with the **MIC LEVEL** knob.

**To apply echo to your voice**  
While holding down the **SHIFT** button, press **DIGITAL ECHO** on the remote control.

Each time you press the button, the amount of echo applied changes and the display shows as follows:



- ECHO 1: A little echo is applied.
- ECHO 2: More amount of echo than ECHO 1.
- ECHO 3: Strong echo is applied.
- OFF: No echo is applied.

**To record yourself singing along**

See "Microphone Mixing" on page 30.

**Notes**

- For preventing howling and squealing when using the microphone  
Adjust **MIC LEVEL** and **VOLUME**, and try not to point the microphone at the speakers.
- When you are not going to use the microphone  
Keep **MIC LEVEL** set to **MIN**, and disconnect the microphone.

### Singing along with Multiplex Karaoke Video CDs without the PBC function or Multiplex Karaoke CD-Gs

If the disc you are going to play is a multiplex karaoke disc, the instrumental parts are recorded on the left channel and the vocal parts are recorded on the right channel. So, you can select the output sounds — whether the instrumental parts only or both of the instrumental parts and vocal parts. Before playing a disc, turn on the TV and select the video input so that you can view the pictures from the CD player.

#### Operation

1. Turn down MIC LEVEL fully.
2. Connect the microphone (not supplied) into the MIC jack on the front panel.
3. Press  $\blacktriangle$  on any of the disc trays.
4. Place a disc correctly in the circle of the disc tray, with its label side up.
5. Press  $\square$  or  $\blacktriangleright$ /SELECT button on the remote control.

- The disc tray closes.
- When you play a video CD, "VIDEO CD" appears in the display and play starts from the first track.
- When you play a CD-G, "GRAPHICS" appears in the display and play starts from the first track.
- 6. Press KARAOKE to select the output sound—whether the instrumental parts only or both of the instrumental parts and the vocal parts.



#### Playing a multiplex sound CD

- This function is used for multiplex sound discs.
- By pressing the KARAOKE button, channel multiplexing modes are cycled as shown below.



$\rightarrow$  REPLACE  $\rightarrow$  Lch MONO  $\rightarrow$  Rich MONO  $\rightarrow$  V.MASK (Display window)

7. Turn MIC LEVEL and VOLUME to adjust the microphone level and the sound output level.
8. Sing into the microphone.

To stop during play, press  $\blacksquare$  STOP/CANCEL. The blue screen appears on the TV screen.

To stop play and remove the disc, press  $\blacktriangle$ . After singing, restore the stereo effect by pressing KARAOKE. So, you will not lose the stereo effect when you play a stereo disc next time.

#### To select the CD graphic channel

If the CD-G has several patterns (up to 15) of graphics (they are called "graphic channels"), you can select the one you want. You can find out whether or not the CD-G has graphic channels by looking at its package or the printed surfaces of the disc.

To change the graphic channel, press CD-G CHANNEL repeatedly until the graphic channel you want appears on the TV screen.

#### To apply echo to your voice

Operation  
1. Press DIGITAL ECHO on the remote control while holding down the SHIFT button.



2. Each time you press the button, the amount of echo applied changes and the display shows as follows:

$\rightarrow$  D.ECHO 1  $\rightarrow$  D.ECHO 2  $\rightarrow$  D.ECHO 3  $\rightarrow$  OFF

ECHO 1: A little echo is applied.  
ECHO 2: More amount of echo than ECHO 1.  
ECHO 3: Strong echo is applied.  
OFF: No echo is applied.

To select a particular track or to use other basic operations  
See "Basic Operations" on page 12.

To record yourself singing along  
See "Microphone Mixing" on page 30.

#### Notes

- You can use Vocal Masking only on a multiplex Karaoke disc.
- To prevent howling and squealing when using the microphone  
Adjust MIC LEVEL and VOLUME, and try not to point the microphone at the speakers.
- When you are not going to use the microphone  
Keep MIC LEVEL set to MIN, and disconnect the microphone.

### Singing along with Multiplex Karaoke Video CDs with the PBC function

Before playing a disc, turn on the TV and select the video input so that you can view the pictures from the CD player.

#### Operation

1. Turn down MIC LEVEL fully.
2. Connect the microphone (not supplied) into the MIC jack on the front panel.
3. Press  $\blacktriangle$ .
4. The System automatically turns on and disc tray comes out.
5. Place a disc correctly in the circle of the disc tray, with its label side up and press  $\blacktriangle$  again. The disc tray will close.
6. When the menu appears on the TV screen, select the song you want by using the number buttons on the remote control unit.
7. Press the KARAOKE button to select the output sound — whether the instrumental parts only or both the instrumental parts and the vocal parts.

Each time you press the button, the sound changes and the display window shows as follows:

$\rightarrow$  V.MASK  $\rightarrow$  REPLACE  $\rightarrow$  Lch MONO  $\rightarrow$  Rich MONO

Lch MONO: only the instrumental parts  
Rich MONO: only the vocal parts  
VOCAL MASK: vocal is to be muted  
REPLACE: your voice replace the vocal

8. Turn MIC LEVEL and VOLUME to adjust the microphone level and the sound output level.
9. Singing into the microphone.

To stop Menu Play, select the item in the menu (such as "End" or "Quit") which can quit playback. If there is not such a selection, press and hold RETURN for more than 2 seconds. To stop play and remove the disc, press  $\blacktriangle$ .

To apply echo to your voice  
Hold down the SHIFT button and press DIGITAL ECHO on the remote control.  
Each time you press the button, the amount of echo applied changes and the display shows as follows:

$\rightarrow$  ECHO 1  $\rightarrow$  ECHO 2  $\rightarrow$  ECHO 3  $\rightarrow$  OFF

ECHO 1: A little echo is applied.  
ECHO 2: More amount of echo than ECHO 1.  
ECHO 3: Strong echo is applied.  
OFF: No echo is applied.

To use other operations  
See "Various Unique Functions" on page 14.

To use slow motion or frame-by-frame playback for video CDs  
Press the  $\blacksquare$  STILL button while holding down to SHIFT button on the remote control.

To record yourself singing along  
See "Microphone Mixing" on page 30.

#### Notes

- You cannot use Vocal Masking on a multiplex karaoke disc.
- To prevent howling and squealing when using the microphone  
Adjust MIC LEVEL and VOLUME, and try not to point the microphone at the speakers.
- When you are not going to use the microphone  
Keep MIC LEVEL set to MIN, and disconnect the microphone.

### Adjusting music key

Hold down the SHIFT button and press the KEY CONTROL buttons on the remote control (  $\blacktriangleright$  1 - 6 or # 1 - 6) to change the key in which the music plays.



#### Note

Once the music key is adjusted, the key level will not return to the previous level after playing a song.

## USING THE MICROPHONE

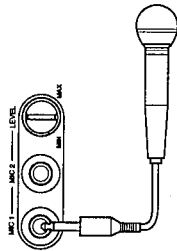
You can use the microphone (not supplied) for two kinds of recording.

### Microphone mixing

You can record sound through the microphone by mixing sound from other sources.  
When recording on deck B, you cannot use deck A as the playing source. (But you can use deck A as the playing source when recording on the connected VCR.)

#### Operation

1. Turn down **MIC LEVEL** fully.
2. Connect the microphone (not supplied) into the **MIC** jack on the front panel.



3. Play the source — a CD, a tape, and others.
4. Turn **MIC LEVEL** and **VOLUME** to adjust the microphone level and the sound output level.

5. Sing into the microphone.
6. Start recording.

You can record using both deck B and the connected VCR. When recording on deck B, see "Recording Tapes" on page 23.  
When recording on the VCR, refer to the manual supplied for it.

### Recording only through the microphone

You can record sound picked up by the microphone only. See page 23 to prepare for recording.

#### Operation

1. Turn down **MIC LEVEL** fully.
2. Connect the microphone (not supplied) into the **MIC** jack on the front panel.
3. Turn **MIC LEVEL** and **VOLUME** to adjust the microphone level and the sound output level.
4. Press the **REC START/STOP** button; the indicator turns red and recording will start.



5. Sing into the microphone or pick up sound using the microphone.

#### Notes

- You can record using both deck B and the connected MD.
- To prevent howling and squealing when using the microphone, adjust **MIC LEVEL** and **VOLUME**, and try not to point the microphone at the speakers.
- When you are not going to use the microphone, keep **MIC LEVEL** set to **MIN**, and disconnect the microphone.

## USING THE TIMER

There are three timers available — Recording Timer, Daily Timer and Sleep Timer.  
Before using the timers, you need to set the clock built into the System.

### Setting the clock

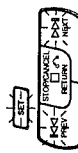
Setting the clock for the first time  
After you plug the system in you need to set the clock before you can set any of the timers.

#### Operation

1. Press the **CLOCK** button once.



2. The indicators below will start to blink.



3. Press the **PREVIOUS** button to advance the hour. When you reach the right hour press the **SET** button.
4. Press the **NEXT** button to advance the minutes. When you reach the right minute press the **SET** button.
5. "CLOCK OK" will appear on the display.

#### Note

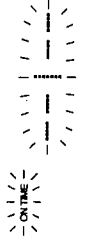
Holding down the **PREVIOUS** buttons will advance/decrease the time by 10 minute intervals.

### Using Recording Timer

With Recording Timer, you can make a tape of a radio broadcast automatically.  
You can set Recording Timer whether the System is turned on or off.

#### Operation

1. Place a tape in deck B and select the recording direction. See page 23.
2. Choose the radio station you wish to record. (The Player will remember the station.)
3. Press the **TIMER** button consecutively until "ON TIME", "—", and "ONCE REC" blink.



4. Use the **PREVIOUS** buttons to set the hour and press **SET**. Then do the same for the minutes and press **SET**.
5. Use the **PREVIOUS** buttons to set the off time in the same way.
6. **TIMER OK** will appear on the screen and the Recording Timer is set.

To reset the timer after the System has automatically turned off.  
Turn the System on and press the timer until **ONCE REC** appears in the display, and press **SET**. The once record timer is set again for the same time, and source.

#### Notes

- To turn off the Recording Timer, press the **TIMER** button until **ONCE REC** blinks, and press **STOP/CANCEL** button. The **ONCE RECORD** feature is turned off.  
— **How Recording Timer actually works** —  
The System automatically turns on, tunes into the most recent station, and starts recording on deck B when the timer-on time comes. Then, when the timer-off time comes, the System automatically turns off.  
The timer-on time and timer-off time remain stored in memory until you reset them or disconnect the AC power cord.

**Setting the Daily Timer**

With Daily Timer, you can wake up to music or your favorite radio program. You can set Daily Timer whether the System is turned on or off.

- Operation**
1. Press the **TIMER** button once.
  2. Press **TIMER** once more to set the Daily Timer. The **ON TIME** and hour spaces will start to blink. Use the **←/→** **PREV/NEXT** buttons to forward or reverse the hours, and press **SET**.
  3. Use the **←/→** **PREV/NEXT** buttons again to set the minutes, and press the **SET** button again.
  4. The **OFF TIME** and hour spaces will start to blink. Set the **OFF TIME** the same way you set the **ON TIME**.
  5. After you set the minutes of the **OFF TIME**, "SOURCE" will appear on the screen. Press the **←/→** **PREV/NEXT** buttons to select the source you wish to use. To select a source, press the **←/→** **PREV/NEXT** buttons and different sources will blink in the display. When the source you want to use is blinking press the **SET** button.

**CD:** When you choose CD as a source, "DISC -" will appear in the display. To choose other discs use the **←/→** **PREV/NEXT** buttons. When the correct disc is displayed press the **SET** button. Next "TRACK -" will appear in the display. Use the **←/→** **PREV/NEXT** buttons to choose the track you want to start from.

Next, "VOLUME" will appear in the screen. Use the **←/→** **PREV/NEXT** buttons to choose the volume you want. Now "TIMER OK" will appear in the display and the timer is set.

**TAPE:** When you choose tape as a source, "VOLUME" will appear in the display. Adjust the volume with the **←/→** **PREV/NEXT** buttons. Now "TIMER OK" will appear in the display. (If tapes are in both decks when the timer comes on the System will play deck B first.)

**FM or AM:** When you choose FM or AM as a source, "VOLUME" will appear in the display. Adjust the volume with the **←/→** **PREV/NEXT** buttons and press **SET**. Now "TIMER OK" will appear in the display.

**To change the source or time for Daily Timer, press the **TIMER** button and then press it again and "ON TIME" and the time will start to blink. Now you can reset the timer and source.**

**To cancel the Daily Timer, press the **TIMER** button and then press the **STOP/CANCEL** button while "DAILY" is blinking on the display.**

**To turn the Daily Timer back on, press the **TIMER** button and then press the **SET** button while "DAILY" is blinking on the display.**

**Note**

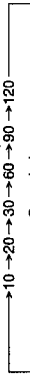
- If there is a power failure the clock loses the setting and the display shows "0:00." You need to reset the clock.

**Setting the Sleep Timer**

With Sleep Timer, you can fall asleep to music. You can set Sleep Timer when the unit is turned on.

**Operation**

1. Press **SLEEP** on the remote control. The **SLEEP** indicator starts blinking in the display. Each time you press the button, the time length changes as follows:



2. Wait for about 6 seconds after specifying the time length. The **SLEEP** indicator stops blinking and remains lit.

To check the remaining time until the timer-off time, press **SLEEP** once so that the remaining time until the shut-off time appears for about 5 seconds.

To change the timer-off time, press **SLEEP** repeatedly until the desired time length appears in the display.

To cancel the Sleep Timer, press **SLEEP** repeatedly so that the **SLEEP** indicator goes off in the display or turn off the System.

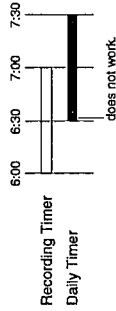
**Note**

The System automatically turns off after the specified time length passes.

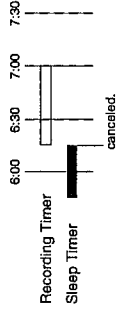
**Timer priority**

Since each timer can be set separately, you may wonder what happens if the setting for these timers overlap. Here are the priorities for each timer.

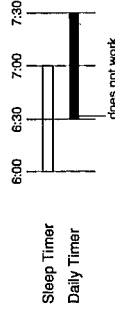
**Recording Timer has priority over Daily Timer and Sleep Timer.**  
If the Daily Timer is set to come on while the Recording Timer is operating, the Daily Timer will not come on at all.



If Recording Timer is set to come on while the Sleep Timer is operating, the Sleep Timer will be canceled several seconds before Recording Timer comes on.



**Sleep Timer has priority over Daily Timer.**  
If Daily Timer is set to come on while the Sleep Timer is operating, the Daily Timer will not come on at all.



Therefore, the priority is like this —

**Recording Timer > Sleep Timer > Daily Timer**



# MAINTENANCE

## Handling compact discs

When handling a compact disc, do not touch the surface of the disc (reflective silver side — the side without the label). Since compact discs are made of plastic, they are easily damaged. If a disc gets dirty, dusty, scratched or warped, the sound will not be picked up correctly and, in addition, such a disc may cause the CD player to malfunction.



### Even on label side

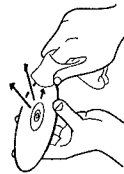
Do not damage the label side, stick paper to or use any adhesive on its surface.

### Storage

Make sure that discs are kept in their cases. If discs are piled one on top of another without their protective cases, they can be damaged. Do not put discs in a location where they may be exposed to direct sunlight, or in a place where the humidity or temperature is high. Avoid leaving discs in your car!

### Maintenance of discs

If there are fingerprints or other dirt adhering to a disc, wipe it with a soft dry cloth, moving from the center outwards. If a disc is difficult to clean, wipe it with a cloth moistened with water. Never use record cleaners, petrol, alcohol or any anti-static agents.



### CAUTION

Sometimes during play noise or images may be garbled. This is sometimes due to the disc. (It may not be up to industry standards.) These symptoms are caused by the discs, not by the malfunction of the System. DO NOT use any solvent — such as conventional record cleaner, spray, thinner, or benzine — to clean the disc.

## Handling cassette tapes

- If the tape is loose in its cassette, take up the slack by inserting a pencil in one of the reels and rotating.
- If the tape is loose, it may get stretched, cut, or caught in the cassette.
- Be careful not to touch the tape surface.



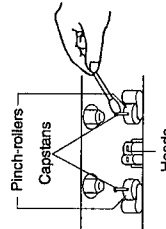
- Avoid the following places to store the tape:
  - In dusty places
  - In direct sunlight or heat
  - In moist areas
  - Near a magnet

## Cassette decks

If the heads, capstans, and pinch-rollers of the cassette decks become dirty, the following will occur:

- Impaired sound quality
- Discontinuous sound
- Fading
- Incomplete erasure
- Difficulty in recording

To clean the heads, capstans, and pinch-rollers  
Use a cotton swab moistened with alcohol.



To demagnetize the heads  
Turn off the unit, and use a head demagnetizer (available at electronics and record shops).

# TROUBLESHOOTING

## Troubleshooting

If you are having a problem with your System, check this list for a possible solution before calling for service. If you cannot solve the problem from the hints given here, or the System has been physically damaged, call a qualified person, such as your dealer, for service.

| Symptom   | Cause  | Action   |
|---|--|--|
| No sound is heard.                                    | Connections are incorrect or loose.  | Check all connections and make corrections. (See pages 2 to 4.)  |
| Hard to listen to broadcast because of noise.         | <ul style="list-style-type: none"> <li>• Antennas are disconnected.</li> <li>• The AM loop antenna is too close to the System.</li> <li>• The FM antenna is not properly extended and positioned.</li> </ul> | <ul style="list-style-type: none"> <li>• Reconnect the antennas correctly and securely.</li> <li>• Change the position and direction of the AM loop antenna.</li> <li>• Extend the FM antenna at the best position.</li> </ul> |
| The disc sound is discontinuous.                      | The disc is scratched or dirty.  | Clean or replace the disc. (See page 1.)   |
| The disc sound loses stereo effect.                   | The Lch MONO mode is activated.  | Press KARAOKE on the front panel to restore the stereo effect.   |
| The pictures from the CD player is distorted.         | When you pause or advance the pictures manually, the pictures are distorted. This is not a malfunction.  | _____  |
| The disc tray does not open or close.                 | The AC power cord is not plugged in.   | Plug the AC power cord.  |
| The disc does not play.                               | The disc is placed upside down.  | Place the disc with the label side up.   |
| The cassette holders cannot be opened.                | Power supply from the AC power cord has been cut off while the tape was running.   | Turn on the System.  |
| Impossible to record.                                 | Small taps on the back of the cassette are removed.  | Cover the holes with adhesive tape.  |
| Operations are disabled.                              | The built-in microprocessor may malfunction due to external electrical interference.   | Unplug the AC power cord and then plug it back in.   |
| Unable to operate the System from the remote control. | <ul style="list-style-type: none"> <li>• The path between the remote control and the remote sensor on the unit is blocked.</li> <li>• The batteries are exhausted.</li> </ul>                                | <ul style="list-style-type: none"> <li>• Remove the obstruction.</li> <li>• Replace the batteries.</li> </ul>  |

# SPECIFICATIONS

**CA-V805T**

|  |   |
|--|---|
| <b>Amplifier</b>                                       | 50 watts per channel, min. RMS, both channels driven into 6Ω at 1kHz with no more than 0.9% total harmonic distortion. (Sub speakers are driven at 16Ω) |
| <b>Audio input sensitivity and impedance (at 1kHz)</b> | MID/DCC 800mV/47kΩ<br>AUX 300mV/47kΩ<br>MIC 1, MIC 2 2.0mV/10kΩ (mini plug type)  |
| <b>Audio output level/impedance (at 1kHz)</b>          | MID/DCC 200mV/2.0kΩ   |
| <b>Video output level (at 1 V-p input)</b>             | VIDEO OUT 1.0Vp-p/75Ω   |
| <b>Speakers/impedance</b>                              | main speakers 6 – 16Ω<br>sub speakers 16Ω   |
| <b>Tuner</b>   |   |
| <b>FM tuning range</b>                                 | 87.50 – 108.00MHz   |
| <b>AM tuning range</b>                                 | 531 – 1602kHz<br>(at 9kHz channel spacing)<br>530 – 1600kHz<br>(at 10kHz channel spacing)   |
| <b>Cassette deck</b>                                   |   |
| <b>Frequency response</b>                              | Normal (type 1) 30 – 15000Hz<br>Cr/Oz (type 2) 30 – 16000Hz   |
| <b>Wow and flutter</b>                                 | +0.3% W/PEAK (EIAJ)<br>0.15% WRMS   |
| <b>CD player</b>                                       |   |
| <b>Wow and flutter</b>                                 | Unmeasurable  |
| <b>Available disc type</b>                             | Audio CD, CD-G, video CD  |
| <b>General</b>   |   |
| <b>Power requirements</b>                              | AC110/127/220/230 – 240V~, adjustable with the voltage selector, 50/60Hz  |
| <b>Power consumption</b>                               | 110 watts (during operation)<br>20 watts (during standby)   |
| <b>Max. power consumption</b>                          | 440 watts (Taiwan only)   |
| <b>Dimensions (approx.)</b>                            | 245 x 280 x 352.5 mm (W/H/D)<br>9 - 11/16 x 10 - 1/16 x 13 - 15/16 in.  |
| <b>Mass (approx.)</b>                                  | 7.8 kg (17.2lbs.)   |

# INTRODUCTIONS

We would like to thank you for purchasing one of our JVC products. Before operating this System, read this manual carefully and thoroughly to obtain the best possible performance from your System, and retain this manual for future reference.

## About this manual

This manual is organized as follows:

- The manual mainly explains operations using the buttons and controls on the System. You can also use the buttons on the remote control if they have the same or similar names (or marks) as those on the System.
- If operation using the remote controls different from that of using the System, it is then explained.
- Basic and common information that is the same for many functions is grouped in one place, and is not repeated in each procedure. For instance, we do not repeat the information about turning on/off the System, setting the volume, changing the sound effects, and others, which are explained in the section "Common Operations" on page 10.
- The following marks are used in this manual:

**CAUTION:**

Gives you warnings and cautions to prevent from a damage or risk of fire or electric shock. Also gives you information which is not good for obtaining the best possible performance from the System.

**Notes:**

Gives you information and hints you had better know.

## Precautions

**Installation**

- Install in a place which is level, dry and neither too hot or too cold — between 5°C (41°F) and 35°C (95°F).
- Install the System in a location with adequate ventilation to prevent internal heat built-up in the System.
- Leave sufficient distance between the System and the TV.
- Keep the speakers away from the TV to avoid interference with TV.

**CAUTION**

DO NOT install the System in a location near heat sources, or in a place subject to direct sunlight, excessive dust or vibration.

**Power sources**

- When unplugging from the wall outlet, always pull the plug, not the AC power cord.

**CAUTION**

DO NOT handle the AC power cord with wet hands.

**Moisture condensation**

Moisture may condense on the lens inside the System in the following cases:

- After starting the heating in the room
- In a damp room
- If the System is brought directly from a cold to a warm place should this occur, the System may malfunction. In this case, leave the System turned on for a few hours until the moisture evaporates, unplug the AC power cord, and then plug it in again.

**Others**

- Should any metallic object or liquid fall into the System, unplug the System and consult your dealer before operating any further.
- If you are not going to operate the System for an extended period of time, unplug the AC power cord from the wall outlet.

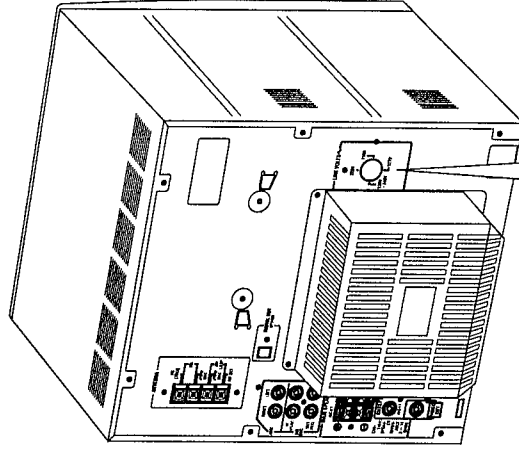
**CAUTION**

DO NOT disassemble the System since there are no user serviceable parts inside.

If anything goes wrong, unplug the AC power cord and consult your dealer.

**Main (AC) Line Instruction (not applicable for Europe, U.S.A., Canada, Australia and U.K.)**

主 (AC) 電源線路說明 (不適用於歐洲、美國、加拿大、澳洲及英國型號)



**IMPORTANT for main (AC) line**  
**BEFORE PLUGGING IN,** do check that your main (AC) line voltage corresponds with the position of the voltage selector switch provided on the outside of this equipment and, if different, reset voltage selector switch, to prevent damage or risk of fire/electric shock.

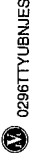
有關主 (AC) 電源線路的重要事項  
 接插電源以前，請檢查當地的主 (AC) 電源線路電壓是否和位於本機外面的電壓選擇開關設定的位置一致，如果不一致，即重新設定電壓選擇開關使符合當地電壓，以免損壞機器或引起火災/觸電的危險。



EN, CH



VICTOR COMPANY OF JAPAN, LIMITED



0296TTYUBNJE5

)

)

)

)

|

)

# Description of the ICs

## ■ MN172412K8R( IC701 ) : System Controller

### 1. Terminal layout

|                                       |
|---------------------------------------|
| 42 ~ 22                               |
| 43                      21            |
| }                                  }  |
| 63                                  1 |
| 64 ~ 84                               |

### 2. Key matrix

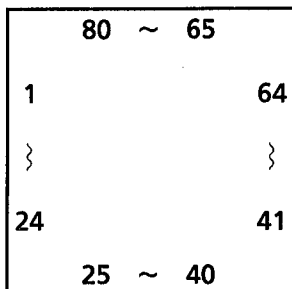
|              | KEY IN 0<br>(49pin)          | KEY IN 1<br>(50pin)         | KEY IN2<br>(51pin)          |                | KEY IN 0<br>(49pin) | KEY IN 1<br>(50pin)       | KEY IN2<br>(51pin)        |
|--------------|------------------------------|-----------------------------|-----------------------------|----------------|---------------------|---------------------------|---------------------------|
| 1G<br>(3pin) | PROGRAM/<br>RANDOM<br>(S701) | EDIT<br>(S702)              | REPEAT<br>RANDOM<br>(S703)  | 6G<br>(8pin)   | CD<br>(S716)        | REC<br>(S717)             | ◀◀<br>(S718)              |
| 2G<br>(4pin) | OPEN /<br>CLOSE 1<br>(S704)  | OPEN /<br>CLOSE 2<br>(S705) | OPEN /<br>CLOSE 3<br>(S706) | 7G<br>(9pin)   | FM / AM<br>(S719)   | DUBBING<br>(S720)         | STOP /<br>CLEAR<br>(S721) |
| 3G<br>(5pin) | DISC 1<br>(S707)             | DISC 2<br>(S708)            | DISC 3<br>(S709)            | 8G<br>(10pin)  | TAPE<br>(S722)      | DOLBY<br>B NR<br>(S723)   | ▶▶<br>(S724)              |
| 4G<br>(6pin) | KARAOKE<br>(S710)            | SOUND<br>MODE<br>(S711)     | BASS<br>(S712)              | 9G<br>(11pin)  | MD/ AUX<br>(S725)   | REVERSE<br>MODE<br>(S726) | ▶▶<br>(S727)              |
| 5G<br>(7pin) | DEMO / SET<br>(S713)         | CD REC<br>START<br>(S714)   | ◀◀<br>(S715)                | 10G<br>(12pin) | POWER<br>(S728)     | A/B<br>(S729)             | CLOCK<br>TIMER<br>(S730)  |

### 3. Terminal Function

| Pin No. | Symbol          | I/O | Functions and Operations                  | Pin No. | Symbol          | I/O | Functions and Operations                           |
|---------|-----------------|-----|---|---------|-----------------|-----|--|
| 1       | S11             | O   | FL Segment control output                 | 43      | DATA            | O   | Data signal input to IC702,401,081                 |
| 2       | S12             | O   | FL Segment control output                 | 44      | RMOUT           | O   | Infrared ray LED output for IllumiMagic compu play |
| 3       | 1G              | O   | FL Grid control output(Key matrix output) | 45      | COMCLK          | I   | Clock signal input from IC751                      |
| 4       | 2G              | O   | FL Grid control output(Key matrix output) | 46      | COMDT1          | I   | Data signal input from IC751                       |
| 5       | 3G              | O   | FL Grid control output(Key matrix output) | 47      | COMDT2          | O   | Data signal output for IC751                       |
| 6       | 4G              | O   | FL Grid control output(Key matrix output) | 48      | RMIN            | I   | Remote control signal input                        |
| 7       | 5G              | O   | FL Grid control output(Key matrix output) | 49      | KI0             | I   | Key matrix input                                   |
| 8       | 6G              | O   | FL Grid control output(Key matrix output) | 50      | KI1             | I   | Key matrix input                                   |
| 9       | 7G              | O   | FL Grid control output(Key matrix output) | 51      | KI2             | I   | Key matrix input                                   |
| 10      | 8G              | O   | FL Grid control output(Key matrix output) | 52      | COMRDY          | I   | Redy signal input from IC851                       |
| 11      | 9G              | O   | FL Grid control output(Key matrix output) | 53      | CE              | I   | Chip enable to IC481                               |
| 12      | 10G             | O   | FL Grid control output                    | 54      | JOG IN 1        | I   | Input 1 of JOG Pulse                               |
| 13      | 11G             | O   | FL Grid control output                    | 55      | JOG IN 2        | I   | Input 2 of JOG Pulse                               |
| 14      | 12G             | O   | FL Grid control output(Key matrix output) | 56      | IFDATA          | I   | Data signal input from IC121                       |
| 15      | S13             | O   | FL Grid control output                    | 57      | TCLK            | O   | Clock signal output for IC121                      |
| 16      | S14             | O   | FL Grid control output                    | 58      | TDATA           | O   | Data signal output for IC121                       |
| 17      | S15             | O   | FL Segment control output                 | 59      | TCE             | O   | Thip enable for IC121                              |
| 18      | S16             | O   | FL Segment control output                 | 60      | /INH            | I   | Inhibit signal input                               |
| 19      | S17             | O   | FL Segment control output                 | 61      | SPK             | O   | Speaker relay control signal output                |
| 20      | S18             | O   | FL Segment control output                 | 62      | SCL             | O   | Clock signal output for IC401                      |
| 21      | V <sub>pp</sub> | --  | Power supply(-V <sub>pp</sub> ,...)       | 63      | SDA             | O   | Data signal output for IC401                       |
| 22      | S19             | O   | FL Segment control output                 | 64      | DSP STB         | O   | STB signal for IC081                               |
| 23      | S20             | O   | FL Segment control output                 | 65      | STB             | O   | STB signal for IC401                               |
| 24      | S21             | O   | FL Segment control output                 | 66      | S.MUTE          | O   | S.MUTE control signal                              |
| 25      | S22             | O   | FL Segment control output                 | 67      | POWER           | O   | Power ON/OFF control signal                        |
| 26      | S23             | O   | FL Segment control output                 | 68      | RESET           | I   | System reset signal input                          |
| 27      | S24             | O   | FL Segment control output                 | 69      | X1              |     | Connection of the GND                              |
| 28      | S25             | O   | FL Segment control output                 | 70      | X2              | --  |  |
| 29      | S26             | O   | FL Segment control output                 | 71      | VSS             | --  | Connection of the GND                              |
| 30      | S27             | O   | FL Segment control output                 | 72      | OSC2            | --  | Oscillation terminal (6MHz)                        |
| 31      | S28             | O   | FL Segment control output                 | 73      | OSC1            | --  | Oscillation terminal (6MHz)                        |
| 32      | S29             | O   | FL Segment control output                 | 74      | V <sub>DD</sub> | --  | Power supply(+5V)                                  |
| 33      | S30             | O   | FL Segment control output                 | 75      | S1              | O   | FL Segment control output                          |
| 34      | S31             | O   | FL Segment control output                 | 76      | S2              | O   | FL Segment control output                          |
| 35      | S32             | O   | FL Segment control output                 | 77      | S3              | O   | FL Segment control output                          |
| 36      | S33             | O   | FL Segment control output                 | 78      | S4              | O   | FL Segment control output                          |
| 37      | S34             | O   | FL Segment control output                 | 79      | S5              | O   | FL Segment control output                          |
| 38      | S35             | O   | FL Segment control output                 | 80      | S6              | O   | FL Segment control output                          |
| 39      | S36             | O   | FL Segment control output                 | 81      | S7              | O   | FL Segment control output                          |
| 40      | STB             | O   | STB signal to IC702                       | 82      | S8              | O   | FL Segment control output                          |
| 41      | CLK             | O   | Clock signal to IC702,481,081             | 83      | S9              | O   | FL Segment control output                          |
| 42      | SDI             | I   | Data signal input from IC481              | 84      | S10             | O   | FL Segment control output                          |

## ■ MN6433726SC11F (IC851) : Deck & CD Controller

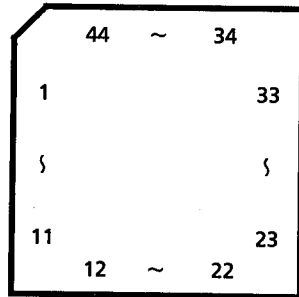
### 1. Terminal layout



### 3. Pin Functions

| Pin No. | Symbol  | I/O | Function                                    | Pin No. | Symbol | I/O | Function                              |
|---------|---------|-----|---|---------|--------|-----|---------------------------------------|
| 1       | F REC   | I   | FREC switch detect input                    | 41      |        | --  | Connection to the VCC                 |
| 2       | BEQ     | I   | Play equalizer control                      | 42      |        | --  | Connection to the VCC                 |
| 3       | R REC   | I   | RREC switch detect input                    | 43      |        | --  | Connection to the VCC                 |
| 4       | BPACK   | I   | BPACKswitch detect input                    | 44      | RMT    | O   | Recording mute signal output          |
| 5       | AVSS    | --  | Connection to the ground                    | 45      | PBEQ   | O   | Play equalizer select output          |
| 6       | TEST    | --  | Connection to the ground                    | 46      | AMT    | O   | It is "H" when Deck A is not playing  |
| 7       | X2      | --  | Non Connection                              | 47      | PB/REC | O   | Rec. P.B select signal output         |
| 8       | X1      | --  | Connection to the +5V                       | 48      | NR     | O   | It is "H" when NR recording           |
| 9       | VSS     | --  | Connection to the ground                    | 49      | FADE   | O   | FADE mode control                     |
| 10      | OSC1    | --  | Osialtion terminal                          | 50      | OMT    | O   | Dack mute signal output               |
| 11      | OSC2    | --  | Osialtion terminal                          | 51      | BPLZ   | O   | B mech.pranger control output         |
| 12      | RESET   | I   | System reset signal input                   | 52      | APLZ   | O   | A mech.pranger control output         |
| 13      | HREQ    | I   | Req signal to IC111                         | 53      | CAPN   | O   | Capstan (ON/OFF) control              |
| 14      | DCS IN  | I   | DCS signal input                            | 54      | BMT    | O   | It is "H" when Deck B is not playing  |
| 15      | DCS OUT | O   | DCS signal output                           | 55      | REC    | O   | It is "H" when recording              |
| 16      | SCK     | O   | CLock signal output for changer $\mu$ -com  | 56      | BIAS   | O   | REC bias ON/OFF control               |
| 17      | CHST    | O   | Strove signal output for changer $\mu$ -com | 57      | VCC    | --  | +5V                                   |
| 18      | DATA    | O   | Data signal output for changer $\mu$ -com   | 58      | RESTSW | I   | CD mech. rest switch input            |
| 19      | REQI    | I   | Redy signal input from changer $\mu$ -com   | 59      | MLD    | O   | Non connection                        |
| 20      |         | --  | Connection to the VCC                       | 60      | SOCK   | O   | Non connection                        |
| 21      |         | --  | Connection to the VCC                       | 61      | MCLK   | O   | $\mu$ -com comand clock signal output |
| 22      |         | --  | Connection to the VCC                       | 62      | MDATA  | O   | $\mu$ -com comand datasignal output   |
| 23      | SENSE   | --  | PULL UP                                     | 63      | DETECT | I   | Disc detect input                     |
| 24      | DECKAI  | O   | Indication control                          | 64      | LSI ON | O   | CD LSI Power output control           |
| 25      | DECKBI  | O   | Indication control                          | 65      | VCDRST | O   | Reset signal for IC111                |
| 26      | REVI    | O   | Indication control                          | 66      | COMRDY | O   | Redy signal output                    |
| 27      | FWDI    | O   | Indication control                          | 67      | COMCLK | O   | $\mu$ -com comand clock signal output |
| 28      | RECI    | O   | Indication control                          | 68      | COMDT1 | O   | Data 1 signal from IC701              |
| 29      | STDBYI  | O   | Indication control                          | 69      | COMDT2 | O   | Data 2 signal for IC701               |
| 30      | CDGI    | O   | Indication control                          | 70      | SRCLK  | O   | Srial data clock output               |
| 31      | VCDI    | O   | Indication control                          | 71      | HDATA  | I   | Srial data I/O                        |
| 32      | SUBQ    | I   | Sub code and Q register signal input        | 72      | VDATA  | O   | Srial data I/O                        |
| 33      |         | --  | Connection to the ground                    | 73      | MREQ   | O   | Req signal output                     |
| 34      |         | --  | Connection to the ground                    | 74      | STATUS | I   | Status signal input                   |
| 35      | VCDEMP  | O   | VIDEO CD Emp.                               | 75      | LSIRST | O   | Reset signal output                   |
| 36      | HRDY    | I   | Redy signal to IC111                        | 76      | AVCC   | --  | +5V                                   |
| 37      | MSIN    | I   | Music scan signal input                     | 77      | AEQ    | O   | Bias current and Playing EQ control   |
| 38      | PSWA    | I   | A mech. play switch input                   | 78      | APACK  | I   | APACKswitch detect input              |
| 39      | APLS    | I   | A mech. reel pulse input                    | 79      | PSWB   | I   | B mech. play switch input             |
| 40      | VDISP   | --  | Connection to the ground                    | 80      | BPLS   | I   | B mech. reel pulse input              |

■ UPD65612GB-165(IC801) : Changer Controller  
1. Terminal Layout

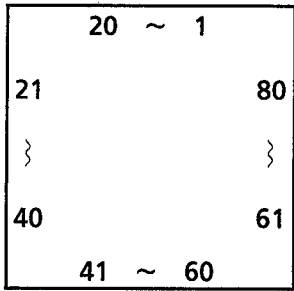


2. Pin Functions

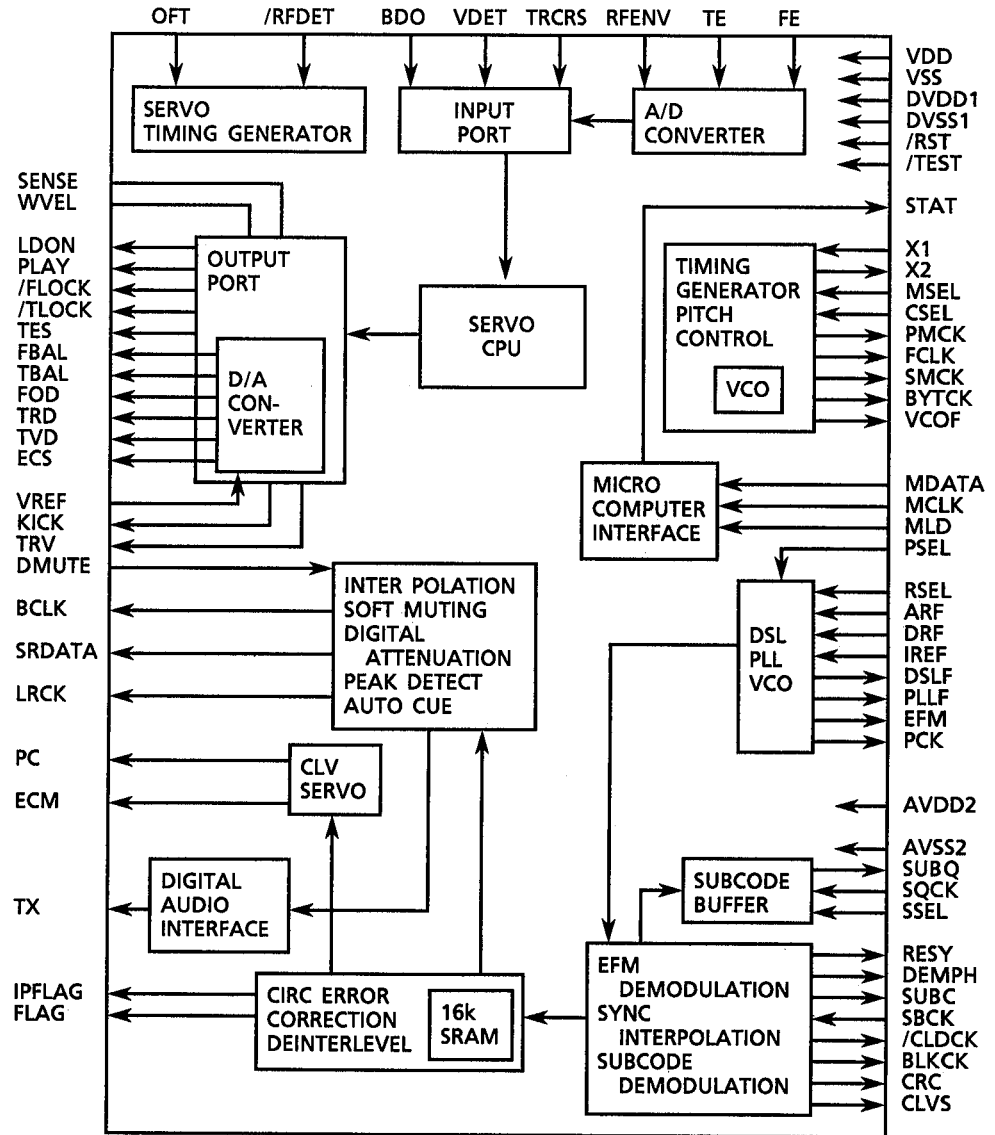
| Pin No. | Symbol | I/O | Function                         | Pin No. | Symbol | I/O | Function                         |
|---------|--------|-----|----------------------------------|---------|--------|-----|----------------------------------|
| 1       | NC     | --  | Non connection                   | 23      | 2SSW   | I   | TRAY2 switch input signal        |
| 2       | NC     | --  | Non connection                   | 24      | 1SSW   | I   | TRAY1 switch input signal        |
| 3       | NC     | --  | Non connection                   | 25      | NC     | --  | Non connection                   |
| 4       | OS1I   | I   | Oscillation terminal             | 26      | CAM0   | I   | Cam switch input signal for LCAM |
| 5       | OS1O   | O   | Oscillation terminal             | 27      | CAM1   | I   | Cam switch input signal for LCAM |
| 6       | OS2I   | I   | Oscillation terminal             | 28      | CAM2   | I   | Cam switch input signal for LCAM |
| 7       | OS2O   | O   | Oscillation terminal             | 29      | CAM3   | I   | Cam switch input signal for LCAM |
| 8       | NC     | --  | Non connection                   | 30      | CAM4   | I   | Cam switch input signal for RCAM |
| 9       | C25IN  | I   | Connected to C25OUT              | 31      | CAM5   | I   | Cam switch input signal for RCAM |
| 10      | C25OUT | O   | Connected to C25IN               | 32      | CAM6   | I   | Cam switch input signal for RCAM |
| 11      | RESET  | I   | Reset signal input               | 33      | CAM7   | I   | Cam switch input signal for RCAM |
| 12      | REQ    | O   | Output the "mecha. data request" | 34      | FIT    | O   | Connected to C50                 |
| 13      | DATA   | I/O | Control, Status data I/O         | 35      | C50    | I   | Connected to FIT                 |
| 14      | ST     | I   | Strobe signal input              | 36      | LMUP   | O   | L motor control signal           |
| 15      | CKS    | I   | Clock input                      | 37      | LMDWN  | O   | L motor control signal           |
| 16      | SELECT | --  | Connected to GND                 | 38      | C25    | --  | Non connection                   |
| 17      | GND    | --  | GND                              | 39      | VDD    | --  | Power supply terminal            |
| 18      | CK     | --  | Connected to GND                 | 40      | C100   | --  | Non connection                   |
| 19      | 1MSW   | I   | TRAY1 switch input signal        | 41      | RMUP   | O   | R motor control signal           |
| 20      | 2MSW   | I   | TRAY2 switch input signal        | 42      | RMDWN  | O   | R motor control signal           |
| 21      | 3MSW   | I   | TRAY3 switch input signal        | 43      | NC     | --  | Non connection                   |
| 22      | 3SSW   | I   | TRAY3 switch input signal        | 44      | NC     | --  | Non connection                   |

■ MN35510 (IC603) : DIGITAL SERVO & DIGITAL SIGNAL PROCESSOR

1. Terminal Layout



2. Block Diagram





## 3. Description

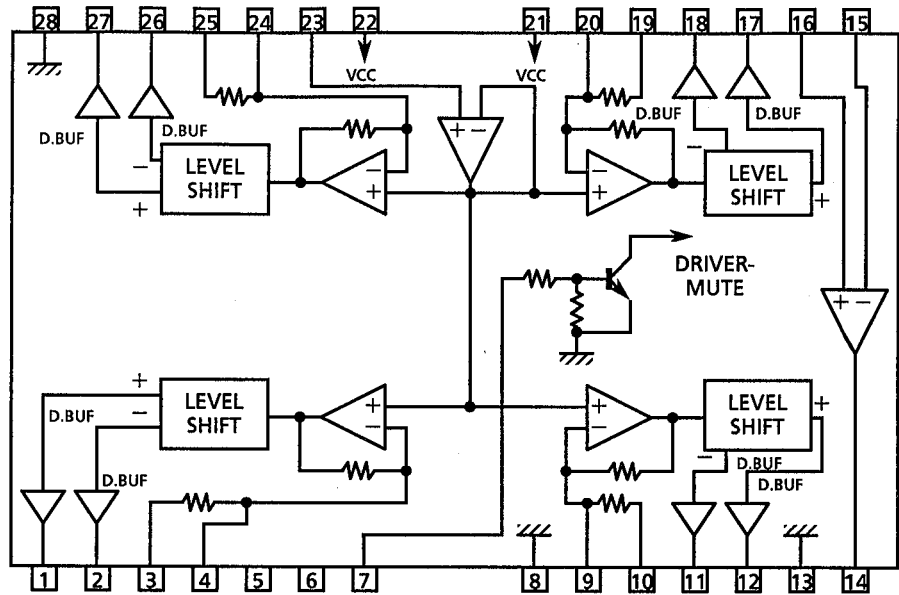
| Pin No. | symbol | I/O | Description   | Pin No. | symbol | I/O | Description                                     |
|---------|--------|-----|---|---------|--------|-----|---|
| 1       | BCLK   | O   | Bit clock output pin for SRDATA   | 41      | TES    | O   | Tracking error shunt signal output (H;shunt)    |
| 2       | LRCK   | O   | L/R distinction signal output   | 42      | PLAY   | —   | Not used  |
| 3       | SRDATA | O   | Serial data output  | 43      | WVEL   | —   | Not used  |
| 4       | DVDD1  | —   | Power supply(Digital)   | 44      | ARF    | I   | RF signal input                                 |
| 5       | DVSS1  | —   | Not used  | 45      | IREF   | I   | Reference current input pin                     |
| 6       | TX     | O   | Digital audio interface signal  | 46      | DRF    | I   | Bias pin for DSL                                |
| 7       | MCLK   | I   | $\mu$ -com command clock signal input<br>(Data is latched at signal's rising point) | 47      | DSL F  | I/O | Loop filter pin for DSL                         |
| 8       | MDATA  | I   | $\mu$ -com command data input   | 48      | PLL F  | I/O | Loop filter pin for PLL                         |
| 9       | MLD    | I   | $\mu$ -com command load signal input  | 49      | VCOF   | —   | Not used  |
| 10      | SENSE  | O   | Sense signal output<br>(OFT,FESL,NACEND,NAJEND,POSAD,SFG)                           | 50      | AVDD2  | —   | Power supply (Analog)                           |
| 11      | FLOCK  | O   | Lock signal for Focus L : pull  | 51      | AVSS2  | —   | Connected to GND(Analog)                        |
| 12      | TLOCK  | O   | Lock signal for Tracking L : pull   | 52      | EFM    | —   | EFM signal output                               |
| 13      | BLKCK  | O   | Subcode · block · clock signal output   | 53      | PCK    | —   | Not used  |
| 14      | SQCK   | I   | Outside lock for sub-code Q resistor input  | 54      | PDO    | —   | Not used  |
| 15      | SUBQ   | O   | Sub-code Q-code output  | 55      | SUBC   | O   | Subcode serial output data output               |
| 16      | DMUTE  | —   | Connected to GND  | 56      | SBCK   | O   | Clock input for subcode serial output           |
| 17      | STATUS | O   | Status signal<br>(CRC,CUE,CLVS,TTSTOP,ECLV,SQOK)                                    | 57      | VSS    | —   | Connected to GND(for X'tal oscillation circuit) |
| 18      | RST    | I   | Reset signal input (L:Reset)  | 58      | X1     | I   | Input of 16.9344MHz X'tal oscillation circuit   |
| 19      | SMCK   | —   | Not used  | 59      | X2     | O   | Output of X'tal oscillation circuit             |
| 20      | PMCK   | —   | Not used  | 60      | VDD    | —   | Power supply(for X'tal oscillation circuit)     |
| 21      | TRV    | O   | Traverse enforced output  | 61      | BYTCK  | —   | Not used  |
| 22      | TVD    | O   | Traverse drive output   | 62      | CLDCK  | O   | Subcode · Frame · Clock signal output           |
| 23      | PC     | —   | Not used  | 63      | FCLK   | O   | Not used  |
| 24      | ECM    | O   | Spindle motor drive signal (Enforced mode output) 3-State                           | 64      | IPPLAG | O   | Interpolation flag output H : Interpolation     |
| 25      | ECS    | O   | Spindle motor drive signal (Servo error signal output)                              | 65      | FLAG   | —   | Not used  |
| 26      | KICK   | O   | Kick pulse output   | 66      | CLVS   | —   | Not used  |
| 27      | TRD    | O   | Tracking drive output   | 67      | CRC    | —   | Not used  |
| 28      | FOD    | O   | Focus drive output  | 68      | DEMPH  | —   | Not used  |
| 29      | VREF   | I   | Reference voltage input pin for D/A output block(TVD,FOD,FBAL,TBAL)                 | 69      | RESY   | —   | Not used  |
| 30      | FBAL   | O   | Focus Balance adjust signal output  | 70      | IOSEL  | —   | Connected to GND                                |
| 31      | TBAL   | O   | Tracking Balance adjust signal output   | 71      | TEST   | —   | Pull up   |
| 32      | FE     | I   | Focus error signal input(Analog input)  | 72      | AVDD1  | —   | Power supply (Digital)                          |
| 33      | TE     | I   | Tracking error signal input(Analog input)   | 73      | OUT L  | O   | Lch audio output                                |
| 34      | RF ENV | I   | RF envelope signal input(Analog input)  | 74      | AVSS1  | —   | Connected to GND                                |
| 35      | VDET   | I   | Vibration detect signal input(H : detect)   | 75      | OUT R  | O   | Rch audio output                                |
| 36      | OFT    | I   | Off track signal input(H : off track)   | 76      | RSEL   | —   | Pull up   |
| 37      | TRCRS  | I   | Track cross signal input  | 77      | CSEL   | —   | Connected to GND                                |
| 38      | RFDET  | I   | RF detect signal input (L : detect)   | 78      | PSEL   | —   | Connected to GND                                |
| 39      | BDO    | I   | BDO input pin (H : drop out)  | 79      | MSEL   | —   | Connected to GND                                |
| 40      | LDON   | O   | Laser ON signal output (H : on)   | 80      | SSEL   | —   | Not used  |

■ BA6397FPW(IC602) : BTL DRIVER

1. Terminal Layout

|           |    |    |           |
|-----------|----|----|-----------|
| CH1-OUT A | 1  | 28 | GND       |
| CH1-OUT B | 2  | 27 | CH4-OUT A |
| CH1-IN A  | 3  | 26 | CH4-OUT B |
| CH1-IN B  | 4  | 25 | CH4-IN A  |
| TR-B      | 5  | 24 | CH4-IN B  |
| VREG-OUT  | 6  | 23 | BIAS IN   |
| MUTE      | 7  | 22 | VCC       |
| GND       | 8  | 21 | VCC       |
| CH2-IN B  | 9  | 20 | CH3-IN B  |
| CH2-IN A  | 10 | 19 | CH3-IN A  |
| CH2-OUT B | 11 | 18 | CH3-OUT B |
| CH2-OUT A | 12 | 17 | CH3-OUT A |
| GND       | 13 | 16 | OP IN+    |
| OP OUT    | 14 | 15 | OP IN-    |

2. Block Diagram

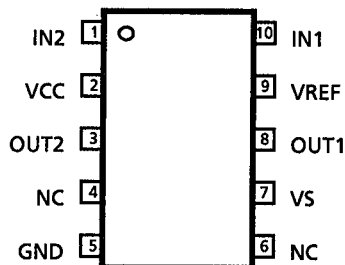


3. Description

| Pin No. | Symbol    | I/O | Description   |
|---------|-----------|-----|---|
| 1       | CH1-OUT A | O   | Focus drive output                                  |
| 2       | CH1-OUT B |     |   |
| 3       | CH1-IN A  | —   | Non connection                                      |
| 4       | CH1-IN B  | I   | FOD input   |
| 5       | TR-B      | O   | Transistor control                                  |
| 6       | VREG-OUT  | O   | Reference voltage output                            |
| 7       | MUTE      | I   | Mute signal input pin                               |
| 9       | CH2-IN B  | I   | Spindle motor drive input<br>Feed motor drive input |
| 20      | CH3-IN B  |     |   |
| 11      | CH2-OUT B | O   | Spindle motor drive<br>output                       |
| 12      | CH2-OUT A |     |   |
| 24      | CH4-IN B  | I   | Feed motor drive input                              |

| Pin No. | Symbol    | I/O | Description             |
|---------|-----------|-----|-------------------------|
| 8,13,28 | GND       | —   | GND                     |
| 10      | CH2-IN A  | —   | Non connection          |
| 14      | OPOUT     |     |                         |
| 15      | OPIN-     |     |                         |
| 16      | OPIN+     |     |                         |
| 19      | CH3-IN A  |     |                         |
| 25      | CH4-IN A  |     |                         |
| 17      | CH3-OUT A | O   | Feed motor drive output |
| 18      | CH3-OUT B |     |                         |
| 21,22   | Vcc       | —   | Power supply            |
| 23      | BIAS IN   | I   | Input pin of Bias       |
| 26      | CH4-OUT B | O   | Tracking drive output   |
| 27      | CH4-OUT A |     |                         |

■ TA8409F (IC802,IC803) : DC Motor driver



| INPUT |     | OUTPUT |      | MODE  |
|-------|-----|--------|------|-------|
| IN1   | IN2 | OUT1   | OUT2 |       |
| 0     | 0   | ∞      | ∞    | stop  |
| 1     | 0   | H      | L    | open  |
| 0     | 1   | L      | H    | close |
| 1     | 1   | L      | L    | break |

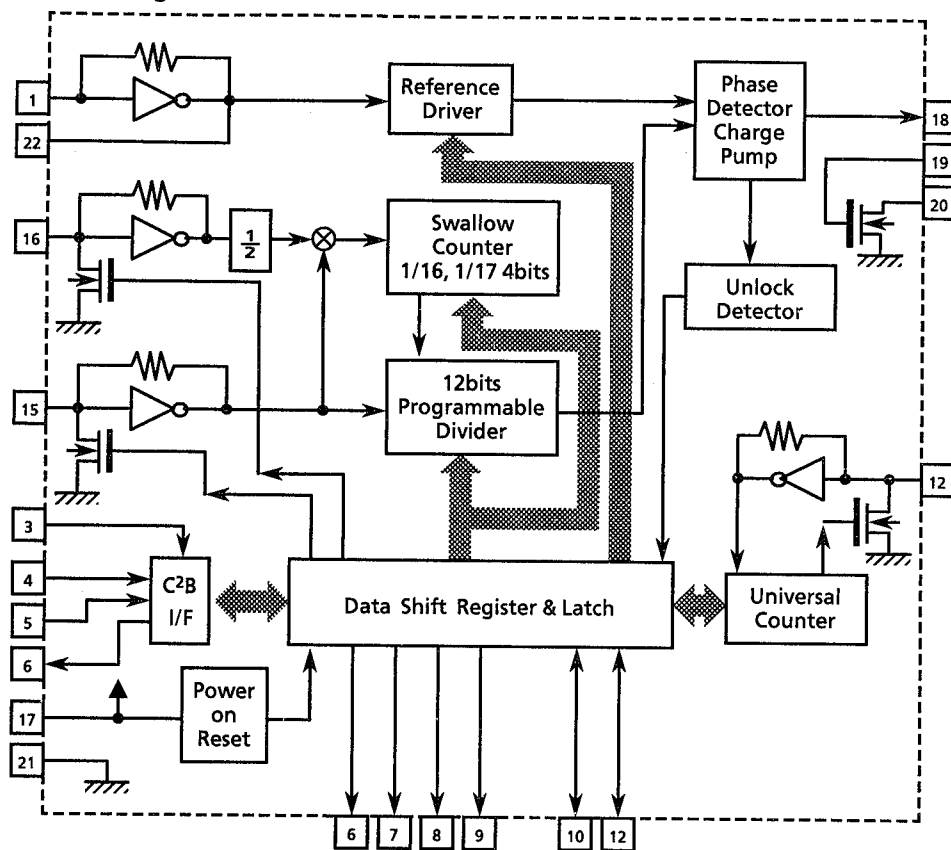
∞--High impedance

■ LC72131 (IC121) : PLL Synthesizer

1. Terminal Layout

|                        |    |    |          |
|------------------------|----|----|----------|
| XIN                    | 1  | 22 | XOUT     |
| NC                     | 2  | 21 | VSS      |
| CE                     | 3  | 20 | LPF OUT  |
| DI                     | 4  | 19 | LPF IN   |
| CK                     | 5  | 18 | PD       |
| DO                     | 6  | 17 | VDD      |
| $\overline{\text{FM}}$ | 7  | 16 | FM OSC   |
| AW                     | 8  | 15 | AM OSC   |
| LW                     | 9  | 14 | NC       |
| AUTO/MONO              | 10 | 13 | IF REQ   |
| No use                 | 11 | 12 | FM/AM IF |

2. Block Diagram

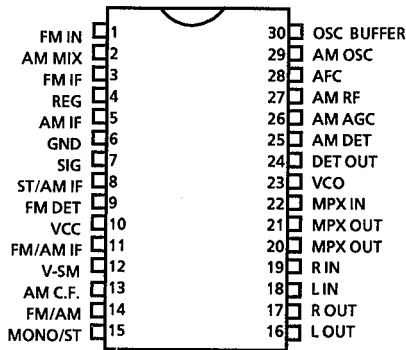


3. Pin Functions

| Pin No. | Symbol                 | I/O | Functions   | Pin No. | Symbol   | I/O | Functions   |
|---------|------------------------|-----|---|---------|----------|-----|---|
| 1       | X in                   | I   | Crystal oscillator (7.2MHz).  | 12      | FM/AM IF | I   | Universal counter input   |
| 3       | CE                     | I   | Fix the chip enable to "H" when inputting (DI) and outputting (DO) the serial data. | 13      | IF REQ   | O   | Output the "IF-signal request" to IC102   |
| 4       | DI                     | I   | Receive the control data from the controller (IC701).                               | 15      | AM IN    | I   | Input the local oscillator signal of AM.  |
| 5       | CK                     | I   | This clock is used to synchronize data when transmitting the data of DI and DO.     | 16      | FM IN    | I   | Input the local oscillator signal of FM.  |
| 6       | DO                     | O   | Transmit the data from LC72131 to the controller which is synchronized with CK.     | 17      | VDD      | --  | This is a terminal of power supply.   |
| 7       | $\overline{\text{FM}}$ | O   | It is "L" on FM mode.   | 18      | PD       | O   | PLL charge pump output : When the local oscillator signal frequency is higher than the reference frequency high level signals will output. When it is lower than the reference frequency, low level signals will output. When it is same as reference frequency signals, it will be floating. |
| 8       | MW                     | O   | It is "L" on MW mode.   | 19      | LPF IN   | I   | Transistor used for the PLL active low-pass filter  |
| 9       | LW                     | O   | It is "H" on LW mode.   | 20      | LPF OUT  | O   | Transistor used for the PLL active low-pass filter  |
| 10      | AUTO/MONO              | O   | It is "H" on monaural, "L" on auto.   | 21      | VSS      | --  | Connected to GND  |
| 11      | NO USE                 | O   |   | 22      | X out    | O   | Crystal oscillator (7.2MHz).  |

■ LA1836M (IC102) : FM AM IF AMP & detector, FM MPX Decoder

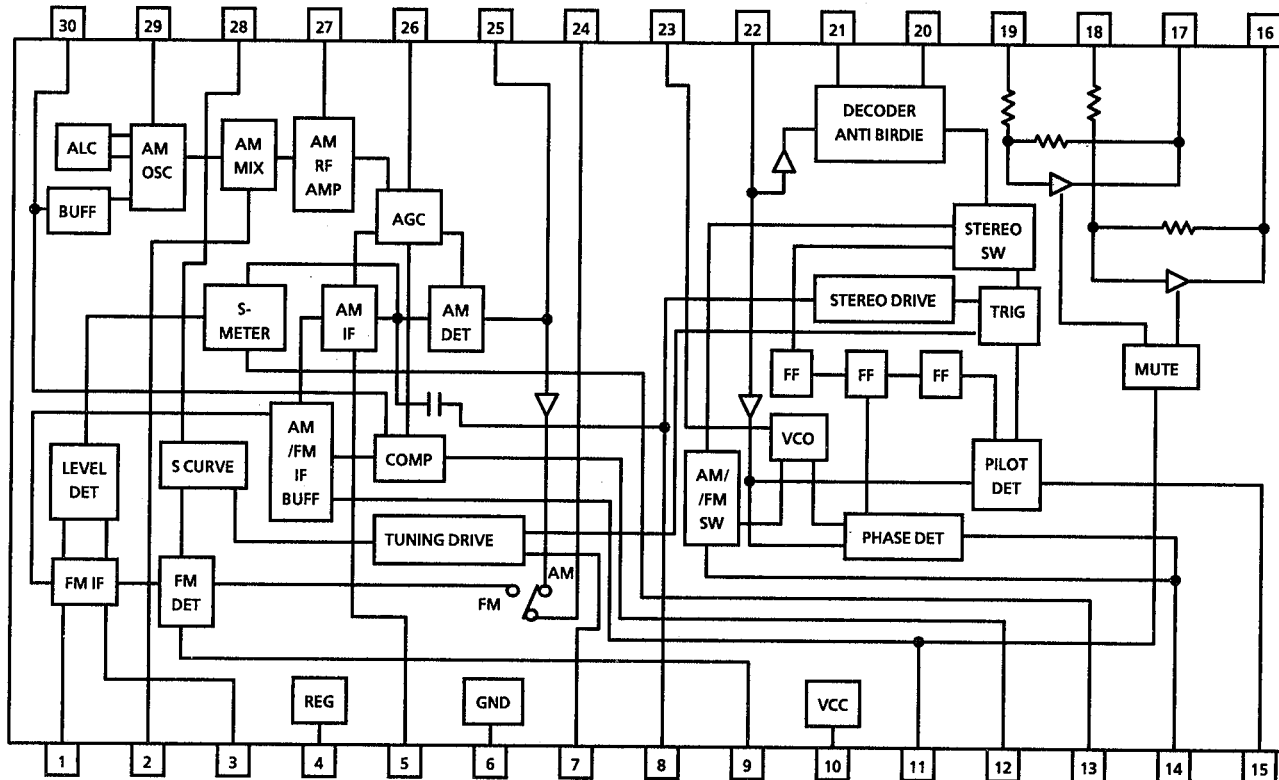
1. Terminal Layout



3. Pin Function

| Pin No. | Symbol          | I/O | Function  |
|---------|-----------------|-----|---|
| 1       | FM IN           | I   | This is an input terminal of FM IF Signal.  |
| 2       | AM MIX          | O   | This is an output terminal for AM mixer.  |
| 3       | FM IF           | I   | Bypass of FM IF   |
| 4       | REG             | —   | Register value between pin4 and pin28 desides the frequency width of the input signal.                    |
| 5       | AM IF           | I   | Input of AM IF Signal.  |
| 6       | GND             | —   | This is the device ground terminal.   |
| 7       | SIG             | O   | When the set is tuning ,this terminal becomes "L".  |
| 8       | ST/AM IF        | O   | Stereo indicator output. Stereo : "L", Mono : "H"   |
| 9       | FM DET          | —   | FM detect transformer.  |
| 10      | VCC             | —   | This is the power supply terminal.  |
| 11      | FM/AM IF //MUTE | O/I | When the signal of IF REQ of IC121(LC7218) appear, the signal of FM/AM IF output. //Muting control input. |
| 12      | VSM             | O   | S Meter output and adjust AM SD sensitivity.  |
| 13      | AM C.F.         | O   | This is a terminal of AM ceramic filter.  |
| 14      | FM/AM           | I   | Change over the FM / AM input. "H" : FM, "L" : AM   |
| 15      | MONO/ST         | O   | Stereo : "H", Mono : "L"  |
| 16      | L OUT           | O   | Left channel signal output.   |
| 17      | R OUT           | O   | Right channel signal output   |
| 18      | L IN            | I   | Input terminal of the Left channel post AMP.  |
| 19      | R IN            | I   | Input terminal of the Right channel post AMP.   |
| 20      | MPX L OUT       | O   | Mpx Left channel signal output.   |
| 21      | MPX R OUT       | O   | Mpx Right channel signal output.  |
| 22      | MPX IN          | I   | Mpx input terminal.   |
| 23      | VCO             | I   | Voltage controlled oscillator terminal.   |
| 24      | DET OUT         | O   | AM/FM detection output.   |
| 25      | AM DET          | —   | AM low cut adjustment.  |
| 26      | AM AGC          | I   | This is an AGC voltage input terminal for AM.   |
| 27      | AM RF           | I   | This is an input terminal for AM RF signal.   |
| 28      | AFC             | —   | This is an output terminal of voltage for FM-AFC.   |
| 29      | AM OSC          | —   | This is a terminal of AM Local oscillation circuit.   |
| 30      | OSC BUFFER      | O   | AM Local oscillation Signal output.   |

2. Block Diagram

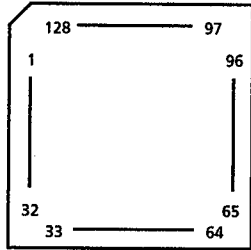


■ CL480(IC101) : MPEG decoder

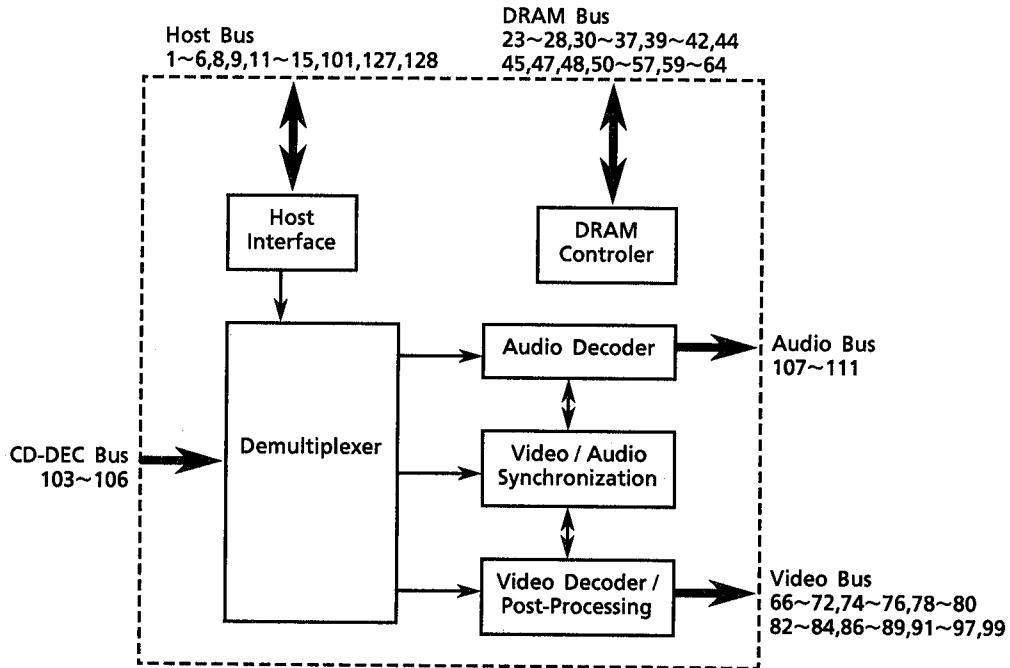
1. Functions

CL480 is MPEG-1 Audio/Video decoder

2. Terminal Layout



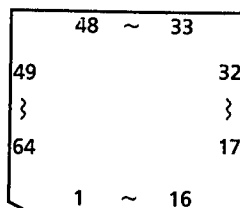
3. Block Diagram



## 4. Terminal Discription

| Pin No. | symbol    | I/O | Function  | Pin No. | symbol    | I/O | Function  |
|---------|-----------|-----|---|---------|-----------|-----|---|
| 1       | HA2       | I   | Host address terminal                               | 78~80   | VD10~VD12 | O   | Video data terminal (G2~4/Y2~4)                       |
| 2       | DS        | I   | Data strobe terminal                                | 81      | IO VDD    | --  | Power suply for Input /Output                         |
| 3       | W/R       | I   | I/O read terminal                                   | 82~84   | VD13~VD15 | O   | Video data terminal (G5~7 / Y5~7)                     |
| 4       | IRQ       | O   | Interact terminal                                   | 85      | CKT VSS   | --  | Connected to GND                                      |
| 5       | DTACK     | O   | Acknowledge data output                             | 86~89   | VD16~VD19 | O   | Video data terminal (B0~B3)                           |
| 6       | HD0       | I/O | Host data terminal                                  | 90      | IO VSS    | --  | Ground terminal for Input /Output                     |
| 7       | IO VDD    | --  | Power suply for Input /Output                       | 91~94   | VD20~VD23 | O   | Video data terminal (B4~7)                            |
| 8,9     | HD1,2     | I/O | Host data terminal                                  | 95      | VSYNC     | I/O | Vertical comparator / Composite comparator output     |
| 10      | CKT VSS   | --  | Connected to GND                                    | 96      | HSYNC     | I/O | Horizontally synchronizing signal                     |
| 11~15   | HD3~HD7   | I/O | Host data terminal                                  | 97      | VOE       | I   | Video output enable signal                            |
| 16      | IO VSS    | --  | Ground terminal for Input /Output                   | 98      | VCO VDD   | --  | Power suply of VCO                                    |
| 17      | TEST      | I   | Test terminal                                       | 99      | VCLK      | I/O | Video clock terminal                                  |
| 18      | XTL VSS   | --  | Oscillator grand terminal                           | 100     | VCO VSS   | --  | Ground of VCO   |
| 19      | XTLIN     | I   | Oscillator input terminal                           | 101     | RESET     | I   | Reset signal input                                    |
| 20      | XTLOUT    | O   | Oscillator output terminal                          | 102     | IO VSS    | --  | Ground terminal for input/output                      |
| 21      | XTL VDD   | --  | Power suply for Oscillator                          | 103     | C2PO      | I   | Data error flag input                                 |
| 22      | CKT VDD   | --  | Power suply   | 104     | CDLRCK    | I   | L / R word clock input                                |
| 23~28   | MD0~MD5   | I/O | DRAM data / ROM data terminal                       | 105     | CDDATA    | I   | Bit serial data input                                 |
| 29      | IO VDD    | --  | Power suply for Input /Output                       | 106     | CDBCK     | I   | Bit clock output                                      |
| 30,31   | MD6,7     | I/O | DRAM data / ROM data terminal                       | 107     | DALRCK    | O   | L / R clock output                                    |
| 32,33   | MCE0,1    | O   | Chip enable output for ROM bank                     | 108     | DADATA    | O   | Bit serial PCM audio signal output                    |
| 34~37   | MD8~MD11  | I/O | DRAM data / ROM data terminal                       | 109     | DABCK     | O   | Bit clock output                                      |
| 38      | IO VSS    | --  | Ground terminal for Input /Output                   | 110     | IO VDD    | --  | Power suply for input/output                          |
| 39~42   | MD12~MD15 | I/O | DRAM data / ROM address terminal                    | 111     | XCK       | I   | Bit clock input terminal from outside                 |
| 43      | 5V VDD    | --  | Power suply (+5V)                                   | 112     | CKT VDD   | --  | Power suply   |
| 44      | LCAS      | O   | DRAM LCAS/ROM address terminal                      | 113     | PIO12     | O   | Interact 2 signal output                              |
| 45      | LCASIN    | I   | DRAM LCAS input                                     | 114     | PIO11     | O   | Non connection  |
| 46      | CKT VSS   | --  | GND   | 115     | PIO10     | I   | Host enable signal input                              |
| 47      | MWE       | O   | DRAM write enable signal output                     | 116     | PIO9      | I   | Boot rom enable signal input                          |
| 48      | UCAS      | O   | DRAM UCAS/ROM address terminal                      | 117     | PIO8      | O   | Non conection   |
| 49      | IO VDD    | --  | Power suply for input/output                        | 118     | PIO7      | O   | DAC emphasis signal output                            |
| 50      | UCAS IN   | I   | DRAM UCAS input terminal                            | 119     | PIO6      | I   | CD-DA emphasis signal input                           |
| 51,52   | RAS0,1    | O   | DRAM RAS0,1 terminal                                | 120     | PIO5      | O   | Non connection  |
| 53~57   | MA9~MA5   | O   | DRAM data / ROM address terminal                    | 121     | PIO4      | O   | FMV detect signal output                              |
| 58      | IO VSS    | --  | Ground terminal for Input /Output                   | 122     | PIO3      | O   | CD-DA Video CD select signal output<br>Low : Video CD |
| 59~63   | MA4~MA0   | O   | DRAM data / ROM address terminal                    | 123     | 5V VDD    | --  | Power suply (+5V)                                     |
| 64      | PIO0      | O   | ROM address extention terminal                      | 124     | PIO2      | O   | Non conection   |
| 65      | IO VDD    | --  | Power suply for Input /Output                       | 125     | IO VSS    | --  | Ground for input/output                               |
| 66~72   | VD0~VD6   | O   | Video data terminal<br>(R0~6/CrCb0~6/YCrCb0~6)      | 126     | PIO1      | O   | Non connection  |
| 73      | IO VSS    | --  | Ground terminal for Input /Output                   | 127     | HA0       | I   | Host address input                                    |
| 74~76   | VD7~VD9   | O   | Video data terminal<br>(R7/CrCb7/YCrCb7)(G0,1/Y0,1) | 128     | HA1       | I   | Host address input                                    |
| 77      | CKT VDD   | --  | Power suply   |         |           |     |   |

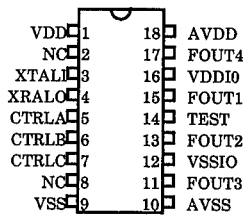
■ BU1417K(IC104) : DIGITAL RGB ENCODER  
1.Pin layout



## 2. Description

| Pin No. | symbol | I/O | Description                       | Pin No. | symbol  | I/O | Description                  |
|---------|--------|-----|-----------------------------------|---------|---------|-----|------------------------------|
| 1       | BOSD   | I   | OSD data input                    | 33      | SLABEB  | --  | Not used                     |
| 2       | GD0    | I   | G data input                      | 34      | ADDH    | --  | Not used                     |
| 3       | GD1    | I   | G data input                      | 35      | VREF    | --  | Reference voltage            |
| 4       | GD2    | I   | G data input                      | 36      | CGND    | --  | GND                          |
| 5       | GD3    | I   | G data input                      | 37      | COUT    | O   | クロマ出力端子                      |
| 6       | GD4    | I   | G data input                      | 38      | VGND    | --  | GND                          |
| 7       | GD5    | I   | G data input                      | 39      | VOUT    | O   | コンポジット出力端子                   |
| 8       | GD6    | I   | G data input                      | 40      | AVSS    | --  | GND                          |
| 9       | GND    | --  | GND                               | 41      | NC      | --  | Not used                     |
| 10      | GD7    | I   | G data input                      | 42      | IR      | I   | DACの出力振幅を設定                  |
| 11      | BD0    | I   | B data input                      | 43      | AVDD    | --  | Power supply                 |
| 12      | BD1    | I   | B data input                      | 44      | YGND    | --  | GND                          |
| 13      | BD2    | I   | B data input                      | 45      | YOUT    | O   | ルミナンス出力端子                    |
| 14      | BD3    | I   | B data input                      | 46      | G4FSC   | --  | Not used                     |
| 15      | OSDSW  | I   | Seu up the color input            | 47      | GCLK    | --  | Not used                     |
| 16      | CDGSWB | I   | Video CD/CD-G select signal input | 48      | YCOFF   | --  | GND                          |
| 17      | BD4    | I   | B data input                      | 49      | YFILON  | --  | GND                          |
| 18      | BD5    | I   | B data input                      | 50      | PALL60B | I   | NTSC/PAL select signal input |
| 19      | BD6    | I   | B data input                      | 51      | VCLK    | I   | Clock signal input           |
| 20      | BD7    | I   | B data input                      | 52      | RSTB    | I   | Reset signal input           |
| 21      | GND    | --  | GND                               | 53      | CLKSW   | I   |                              |
| 22      | NTB    | --  | Not used                          | 54      | RD0     | I   | R data input                 |
| 23      | IM0    | I   | Select input mode                 | 55      | RD1     | I   | R data input                 |
| 24      | IM1    | I   | Select input mode                 | 56      | RD2     | I   | R data input                 |
| 25      | TEST1  | I   | Connected to GND                  | 57      | ROSD    | I   | OSD data input               |
| 26      | TEST2  | I   | Connected to GND                  | 58      | RD3     | I   | R data input                 |
| 27      | CVSY   | I   | Vertical syncro signal input      | 59      | RD4     | I   | R data input                 |
| 28      | HSY    | I   | Horizontal syncro signal input    | 60      | RD5     | I   | R data input                 |
| 29      | PIXCLK | --  | Not used                          | 61      | VDD     | --  | Power supply                 |
| 30      | BLKB   | I   | Data output possible              | 62      | RD6     | I   | R data input                 |
| 31      | VDD    | --  | Power supply                      | 63      | RD7     | I   | R data input                 |
| 32      | INT    | --  | Not used                          | 64      | GOSD    | I   | OSD data input               |

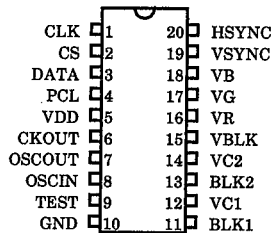
■ BU2173F(IC105): VCO  
1.Pin layout



2. Description

| Pin No. | symbol | I/O | Description              | Pin No. | symbol | I/O | Description          |
|---------|--------|-----|--------------------------|---------|--------|-----|----------------------|
| 1       | VDD    | --  | +5V                      | 10      | AVSS   | --  | GND                  |
| 2       | NC     | --  | Not used                 | 11      | FOUT3  | O   | Clock signal output3 |
| 3       | XTALI  | --  | Oscillation terminal     | 12      | VSSIO  | --  | GND                  |
| 4       | XTALO  | --  | Oscillation terminal     | 13      | FOUT2  | O   | Clock signal output2 |
| 5       | CTRLA  | I   | Output frequency control | 14      | TEST   | --  | GND                  |
| 6       | CTRLB  | I   | Output frequency control | 15      | FOUT1  | O   | Clock signal output1 |
| 7       | CTRLC  | I   | Output frequency control | 16      | VDDIO  | --  | +5V                  |
| 8       | NC     | --  | GND                      | 17      | FOUT4  | O   | Clock signal output4 |
| 9       | VSS    | --  | GND                      | 18      | AVDD   | --  | +5V                  |

■  $\mu$ PD6461GS-635(IC106): OSD  
1.Pin layout



2. Description

| Pin No. | symbol | I/O | Description            | Pin No. | symbol | I/O | Description                    |
|---------|--------|-----|------------------------|---------|--------|-----|--------------------------------|
| 1       | CLK    | I   | Clock signal input     | 11      | BLK1   | O   | Not used                       |
| 2       | CS     | I   | LOW時シリアル転送可能           | 12      | VC1    | O   | Not used                       |
| 3       | DATA   | I   | Control data input     | 13      | BLK2   | O   | Not used                       |
| 4       | PCL    | I   | パワーオン時のクリア用端子          | 14      | VC2    | O   | Not used                       |
| 5       | VDD    | --  | +5V                    | 15      | VBLK   | O   | Blanking signal output         |
| 6       | CKOUT  | O   | Not used               | 16      | VR     | O   | Character signal output        |
| 7       | OSCOUT | O   | Not used               | 17      | VG     | O   | Character signal output        |
| 8       | OSCIN  | I   | Dot Clock signal input | 18      | VB     | O   | Character signal output        |
| 9       | TEST   | --  | GND                    | 19      | VSYNC  | I   | Vertical syncro signal input   |
| 10      | GND    | --  | GND                    | 20      | HSYNC  | I   | Horizontal syncro signal input |

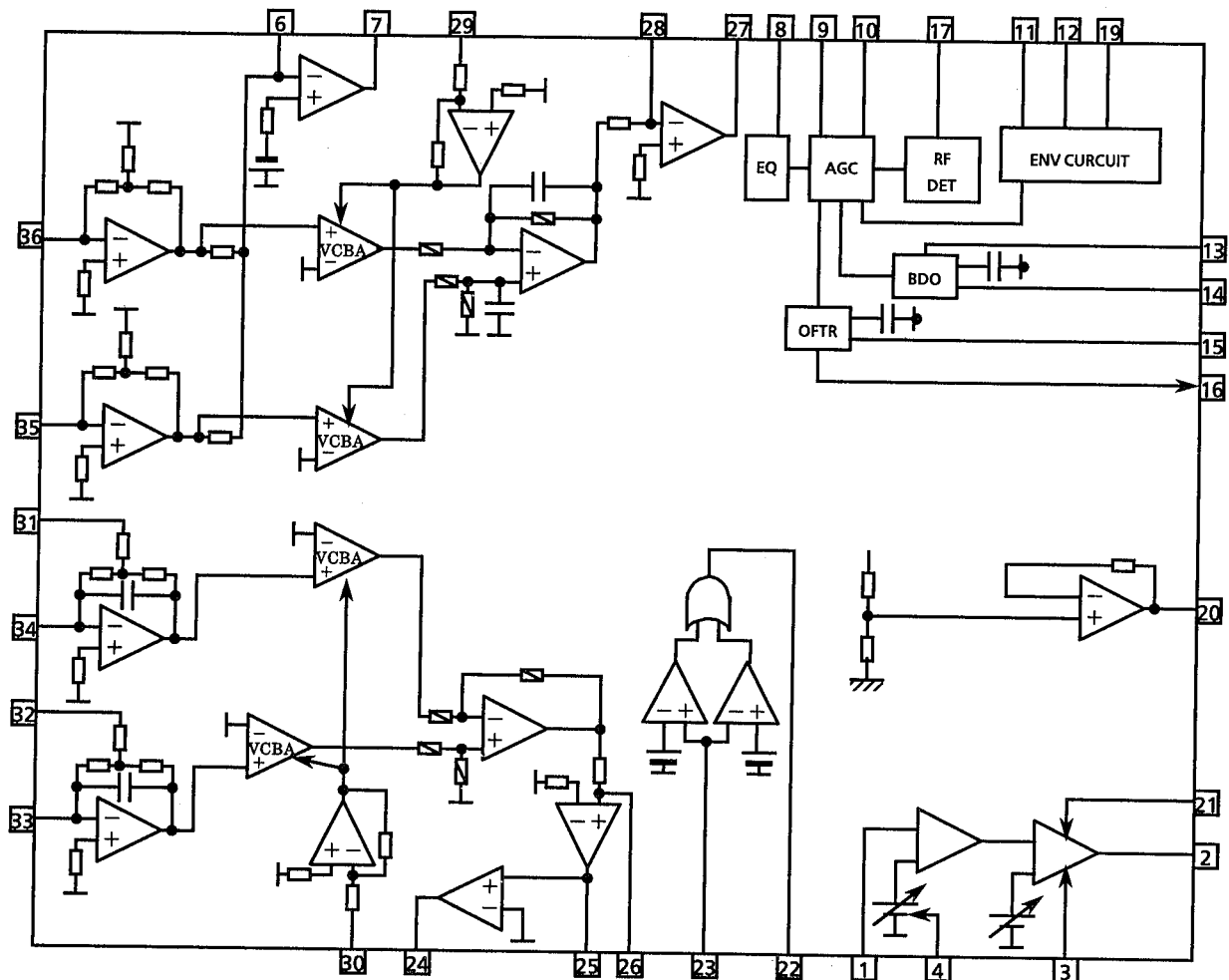


■ AN8806SB (IC601) : RF & SERVO AMP

1. Terminal Layout

|         |    |           |
|---------|----|-----------|
| PD      | 1  | 36 PDAC   |
| LD      | 2  | 35 PDBD   |
| LON     | 3  | 34 PDE    |
| LDP     | 4  | 33 PDF    |
| VCC     | 5  | 32 PDER   |
| RF-     | 6  | 31 PDFR   |
| RF OUT  | 7  | 30 TBAL   |
| RF IN   | 8  | 29 FBAL   |
| C.AGC   | 9  | 28 FE-    |
| ARF     | 10 | 27 FE OUT |
| C.ENV   | 11 | 26 TE-    |
| C.EA    | 12 | 25 TE OUT |
| CS BDO  | 13 | 24 CROSS  |
| BDO     | 14 | 23 TE BPF |
| CS BRT  | 15 | 22 VDET   |
| OFTR    | 16 | 21 LD OFF |
| /NRFDET | 17 | 20 VREF   |
| GND     | 18 | 19 ENV    |

2. Block Diagram



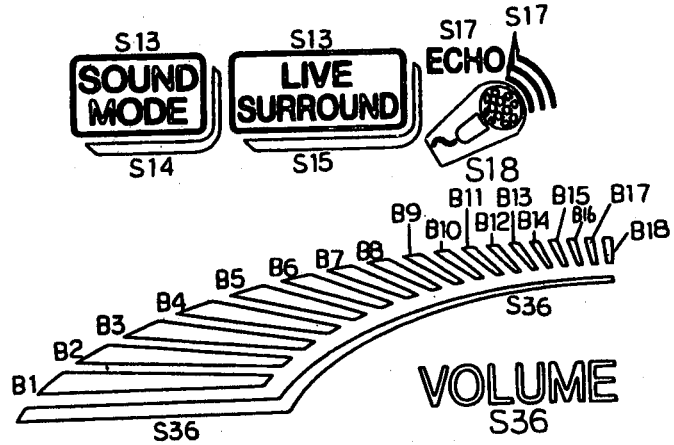
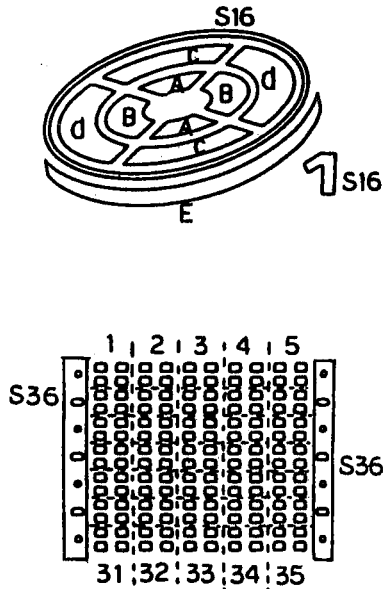
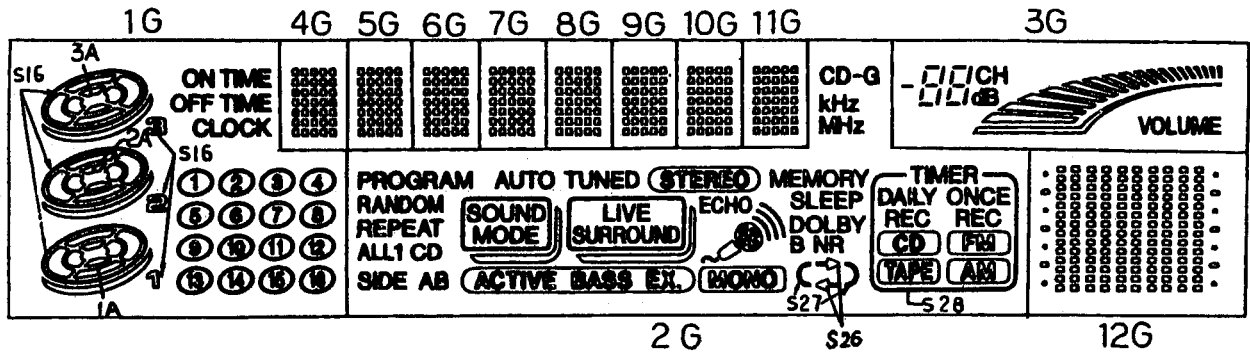
## 3. Functions

| Pin No. | Symbol  | I/O | Functions and operations  |
|---------|---------|-----|---|
| 1       | PD      | I   | APC amp input terminal  |
| 2       | LD      | O   | APC amp output terminal   |
| 3       | LD ON   | I   | APC ON/OFF control terminal   |
| 4       | LDP     | --  | Connected to ground   |
| 5       | VCC     | --  | Power supply  |
| 6       | RF-     | I   | Inverse input pin for RF amp  |
| 7       | RF OUT  | O   | RF amp output   |
| 8       | RF IN   | I   | RF input  |
| 9       | C.AGC   | I/O | Connecting pin of AGC loop filter   |
| 10      | ARF     | O   | RF output   |
| 11      | C.ENV   | I/O | A capacitor is connected to this terminal to detect the envelope of RF signal |
| 12      | C.EA    | I/O | A capacitor is connected to this terminal to detect the envelope of RF signal |
| 13      | CS BDO  | I/O | A capacitor is connected to detect the lower envelope of the RF signal        |
| 14      | BDO     | O   | BDO output pin  |
| 15      | CS BRT  | I/O | A capacitor is connected to detect the lower envelope of the RF signal        |
| 16      | OFTR    | O   | Of-track status signal output   |
| 17      | /NRFDET | O   | RF detection signal output  |
| 18      | GND     | --  | Ground  |
| 19      | ENV     | O   | Envelope output   |
| 20      | VREF    | O   | Reference voltage output  |
| 21      | LD OFF  | --  | Connect to ground   |
| 22      | VDET    | O   | Vibration detection signal output   |
| 23      | TE BPF  | I   | Input pin of tracking error through BPF                                       |
| 24      | CROSS   | O   | Tracking error cross output   |
| 25      | TE OUT  | O   | Tracking error signal output  |
| 26      | TE-     | I   | Inverse input pin for tracking error amp                                      |
| 27      | FE OUT  | O   | Output pin of focus error   |
| 28      | FE-     | I   | Inverse input pin for focus error amp   |
| 29      | FBAL    | I   | Focus balance control   |
| 30      | TBAL    | I   | Tracking balance control  |
| 31      | PDFR    | --  | Non connection  |
| 32      | PDER    | --  | Non connection  |
| 33      | PDF     | I   | I-V amp input   |
| 34      | PDE     | I   | I-V amp input   |
| 35      | PD BD   | I   | I-V amp input   |
| 36      | PD AC   | I   | I-V amp input   |

# Internal Connections of FL Display

■ ELU0001-206 : (FL701)

## 1. Grid Layout



## 2. Pin Connections

| PIN NUMBER | 1 | 2 | 3 | 4 | 5  | 6  | 7  | 8  | 9  | 10 | 11 | 12 | 13 | 14  | 15  | 16  | 17 | 18 | 19 | 20 | 21 | 22 | 23 | 24 |
|------------|---|---|---|---|----|----|----|----|----|----|----|----|----|-----|-----|-----|----|----|----|----|----|----|----|----|
| ELECTRODE  | F | F | F | N | P  | P  | P  | P  | P  | P  | P  | P  | P  | P   | P   | P   | N  | N  | N  | N  | N  | N  | 1  | 2  |
|            | 1 | 1 | 1 | P | S1 | S2 | S3 | S4 | S5 | S6 | S7 | S8 | S9 | S10 | S11 | S12 | P  | P  | P  | P  | P  | P  | G  | G  |

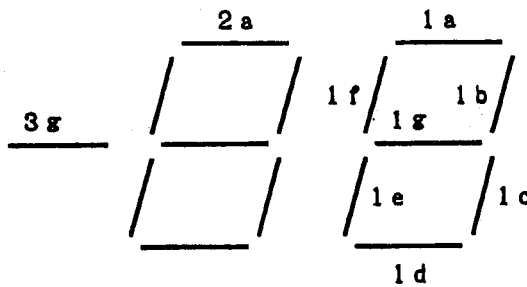
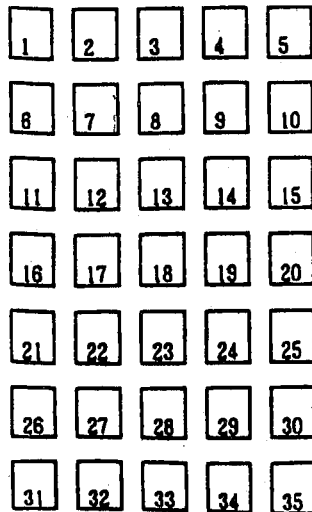
| PIN NUMBER | 25 | 26 | 27 | 28 | 29 | 30 | 31 | 32 | 33 | 34 | 35  | 36  | 37  | 38  | 39  | 40  | 41  | 42  | 43  | 44  | 45  | 46  | 47  | 48  |
|------------|----|----|----|----|----|----|----|----|----|----|-----|-----|-----|-----|-----|-----|-----|-----|-----|-----|-----|-----|-----|-----|
| ELECTRODE  | 3  | 4  | 5  | 6  | 7  | 8  | 9  | 10 | 11 | 12 | P   | P   | P   | P   | P   | P   | P   | P   | P   | P   | P   | P   | P   | P   |
|            | G  | G  | G  | G  | G  | G  | G  | G  | G  | G  | S13 | S14 | S15 | S16 | S17 | S18 | S19 | S20 | S21 | S22 | S23 | S24 | S25 | S26 |

| PIN NUMBER | 49  | 50  | 51  | 52  | 53  | 54  | 55  | 56  | 57  | 58  | 59 | 60 | 61 | 62 |
|------------|-----|-----|-----|-----|-----|-----|-----|-----|-----|-----|----|----|----|----|
| ELECTRODE  | P   | P   | P   | P   | P   | P   | P   | P   | P   | N   | F  | F  | F  |    |
|            | S27 | S28 | S29 | S30 | S31 | S32 | S33 | S34 | S35 | S36 | P  | 2  | 2  | 2  |

Note F : Filament, G : Grid, P : Element, NP : No Pin, NC : No Connection

(3) Anode Designation

|     | 1G       | 2G                | 3G  | 4G~11G | 12G |
|-----|----------|-------------------|-----|--------|-----|
| S1  | 3A       | REPEAT            | 3g  | 1      | 1   |
| S2  | 3B       | ALL               | 2a  | 2      | 2   |
| S3  | 3C       | 1                 | 2b  | 3      | 3   |
| S4  | 3D       | CD                | 2f  | 4      | 4   |
| S5  | 3E       | PROGRAM           | 2g  | 5      | 5   |
| S6  | 2A       | RANDOM            | 2e  | 6      | 6   |
| S7  | 2B       | SIDE              | 2c  | 7      | 7   |
| S8  | 2C       | A                 | 2d  | 8      | 8   |
| S9  | 2D       | B                 | 1a  | 9      | 9   |
| S10 | 2E       | AUTO              | 1b  | 10     | 10  |
| S11 | 1A       | TUNED             | 1f  | 11     | 11  |
| S12 | 1B       | STEREO            | 1g  | 12     | 12  |
| S13 | 1C       | S13               | 1e  | 13     | 13  |
| S14 | 1D       | ⌋ (SOUND MODE)    | 1c  | 14     | 14  |
| S15 | 1E       | ⌋ (LIVE SURROUND) | 1d  | 15     | 15  |
| S16 | S16      | ACTIVE BASS EX.   | CH  | 16     | 16  |
| S17 | ON TIME  | ECHO )))          | d8  | 17     | 17  |
| S18 | OFF TIME | S18               | B1  | 18     | 18  |
| S19 | CLOCK    | MONO              | B2  | 19     | 19  |
| S20 |          | CD-G              | B3  | 20     | 20  |
| S21 | ①        | KHz               | B4  | 21     | 21  |
| S22 | ②        | MHz               | B5  | 22     | 22  |
| S23 | ③        | MEMORY            | B6  | 23     | 23  |
| S24 | ④        | SLEEP             | B7  | 24     | 24  |
| S25 | ⑤        | DOLBY B NR        | B8  | 25     | 25  |
| S26 | ⑥        | ⇌                 | B9  | 26     | 26  |
| S27 | ⑦        | ( )               | B10 | 27     | 27  |
| S28 | ⑧        | TIMER 枠含む         | B11 | 28     | 28  |
| S29 | ⑨        | DAILY             | B12 | 29     | 29  |
| S30 | ⑩        | REC (DAILY )      | B13 | 30     | 30  |
| S31 | ⑪        | ONCE              | B14 | 31     | 31  |
| S32 | ⑫        | REC (ONCE )       | B15 | 32     | 32  |
| S33 | ⑬        | CD                | B16 | 33     | 33  |
| S34 | ⑭        | TAPE              | B17 | 34     | 34  |
| S35 | ⑮        | FM                | B18 | 35     | 35  |
| S36 | ⑯        | AM                | S36 |        | S36 |



# Disassembly Procedures

- (1) Top cover and heatsink cover removal
1. Remove 6 screws (A) on the rear side and 2 screws (A) on both sides of the cover.
  2. Remove the 2 screws (B) holding the heatsink cover
  3. Remove the top cover and heatsink cover.

- (2) Rear panel removal
1. Remove the top cover.
  2. Remove the 2 screws (C) holding the CD changer mech. ass'y.
  3. Remove the 14 screws (B).
  4. Remove the rear panel.

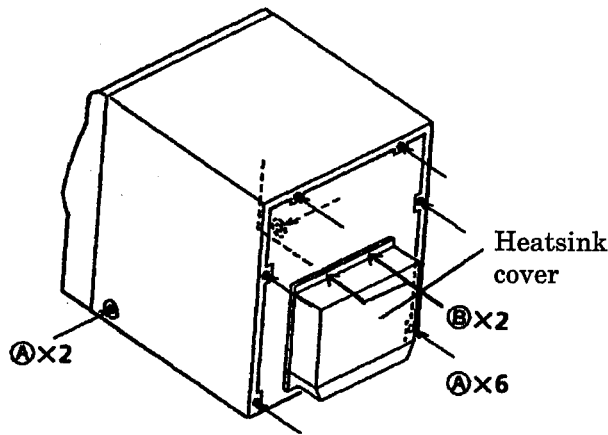


Fig 1

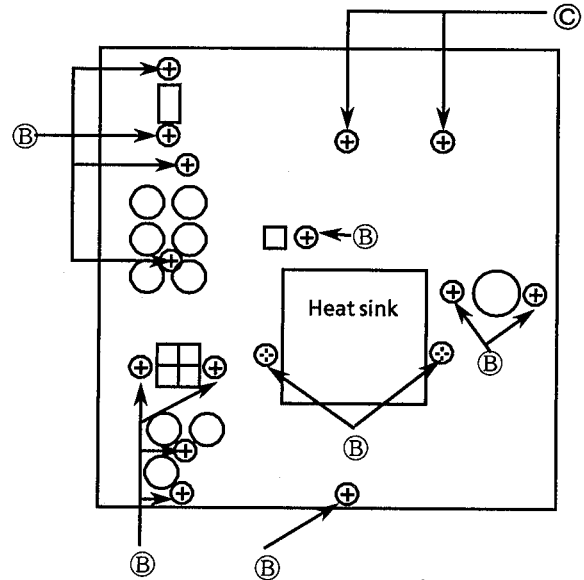


Fig 2 Rear view

- (3) CD changer mech. removal
1. Remove the rear panel.
  2. Disconnect the CN603, CN604, CN801.
  3. Remove the 2 screws (D) holding the CD changer mech. .
  4. Remove the CD changer mech. ass'y.

- (4) Tuner & Audio PCB (ENC-127-1) removal
1. Remove the CD changer mech. ass'y.
  2. Remove the plastics rivet and Remove the FMC-002-4 .
  3. Disconnect CN401(Flat wire) , CN514.
  4. Disconnect CN513 and CN514.
  5. Remove the Tuner & Audio PCB (ENC-127-1).

**[Note]**

Changer mech.ass'y needed connect the main PCB When servicing, so that the set can be movement.

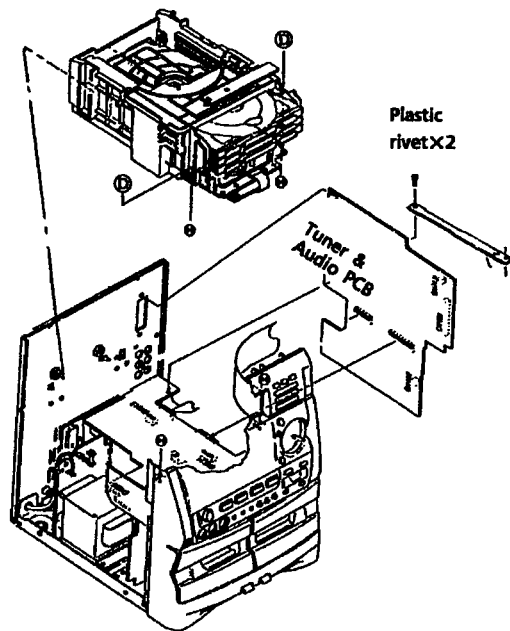


Fig 3 Front view

(A) .. SDSG3006M (B) .... E73273-003 (C) ... SBSF3008Z (D) ... SBSG3008Z

**(5) Deck & CD control PCB (FNH-271-1) removal**

1. Remove the (1)(2)(3)(4).
2. Disconnect the CN901.
3. Remove the 3 screws (E) holding the PCB and Remove the plastics rivet.
4. Raise up the PCB for disconnecting and you can remove the Deck & CD control PCB with the power AMP PCB.

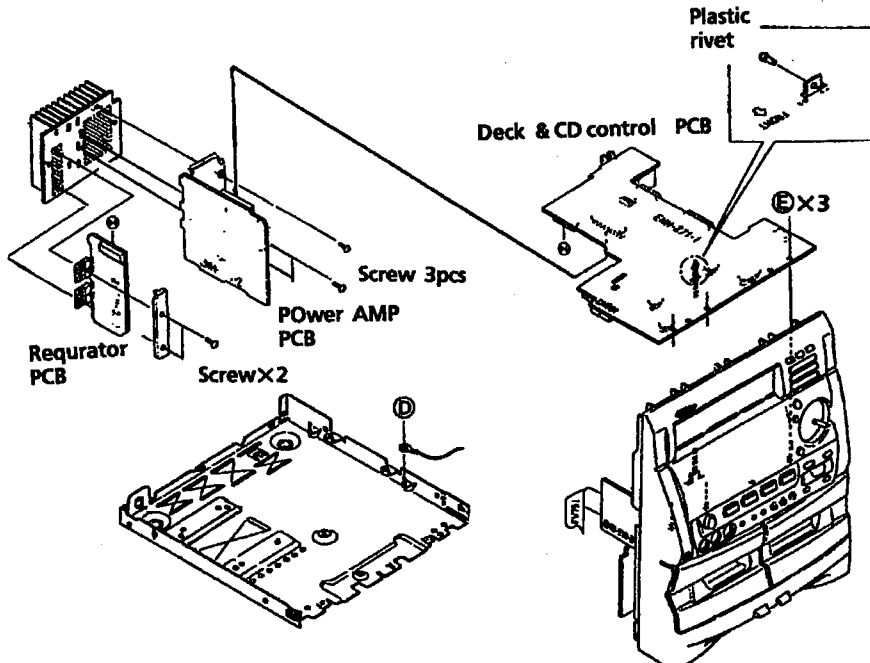


Fig 4

**(6) Front PCB (FNH-271-1) removal.**

1. Remove the (1)(2)(3)and(4) (5).
2. Remove the 3 Fook of the bottom side and both side and Remove the Front panel ass'y.
3. Remove the 16 screws (F) holding the braket .
4. Remove the Braket and Front PCB.

**(7) Switch PCB(FNH-271-2) removal.**

1. Remove the (1)(2)(3)and (4)(5)(6).
2. Remove the 7 screws holding the PCB .
3. Remove the Switch PCB with the headphone PCB .

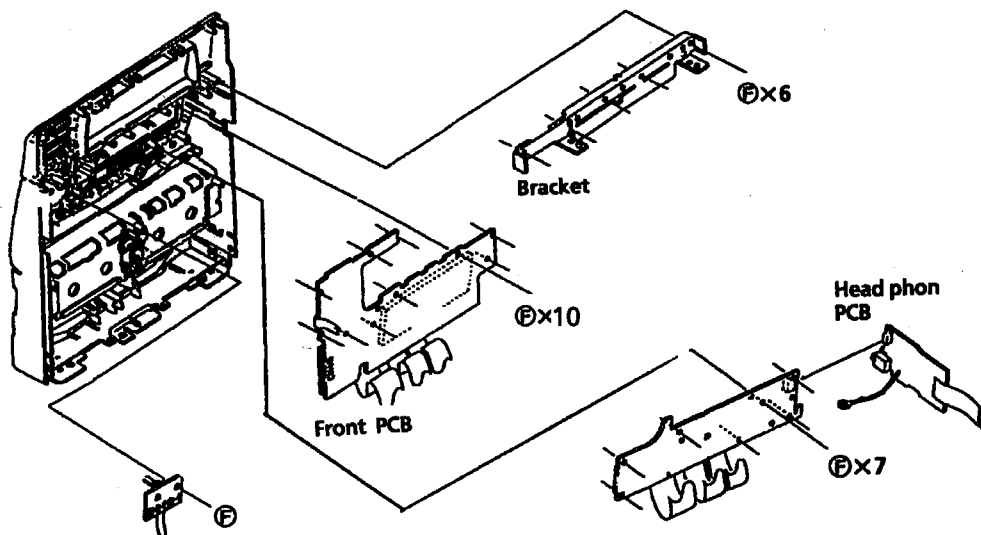


Fig 5

(E) .. SPST2604Z      (F) ... SDSF2608Z

**(8) Cassette mechanism with the PCB (FMC-002-3) removal**

1. Remove the (1)(2)(3)and (4)(5).
2. Remove the 4screws ⑥ and 4screws ⑦.
3. Remove the Cassette mechanism.

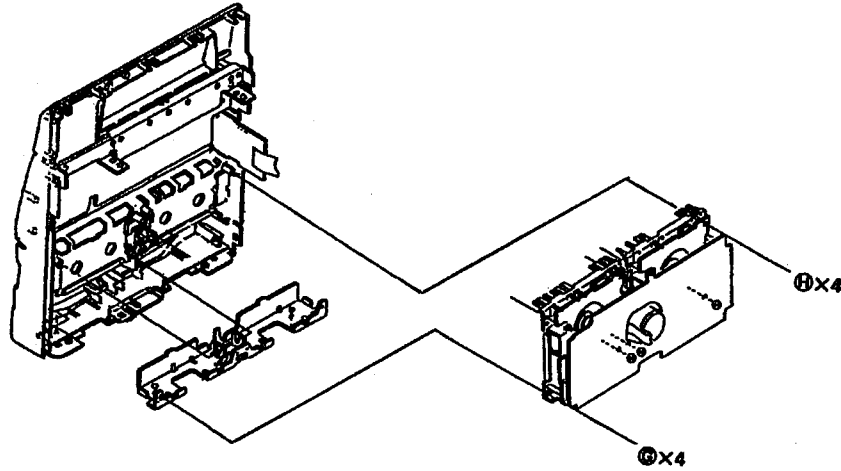


Fig 6

**(9) Cassette deck PCB (FMC-002-3) removal**

1. Remove the (1),(2),(3)and (4),(5),(8).
2. Disconnect the CN331 and CN332.
3. Remove the 2 screws ⑩ holding the PCB.
4. Remove the Cassette deck PCB.

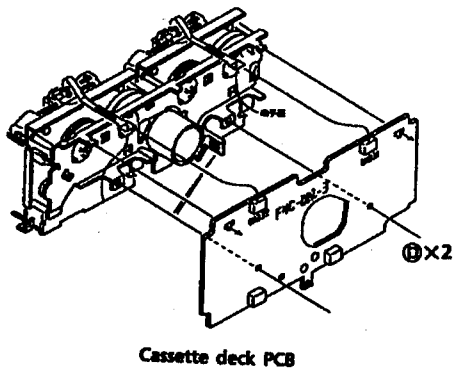


Fig 7

**(10) Cassette door lock plate removal**

1. Remove the (1)(2)(3)and (4),(5),(8).
2. Remove the spring.
3. Push up the Elever as shown in the figure below(Fig. 8) and remove the door lock plate.

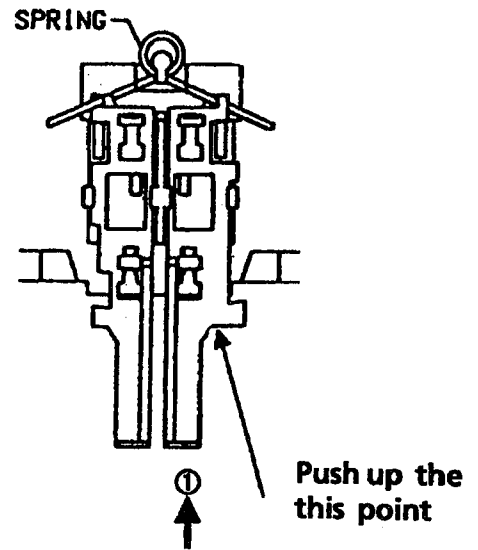


Fig 8

⑩ .. SBSG3008Z

⑥ ... SBST3006Z

⑦ ... SBSF3008Z

**(11) Damper removal**

1. Remove the cassette mechanism.
3. Press the tab which secures the damper to remove the damper. (See the arrow shown in the figure below)

**(12) Cassette holder removal**

1. Remove the Cassette mechanism assembly.
2. Remove the damper.
3. Remove the spring holding the cassette holder.
4. Remove the Cassette holder.

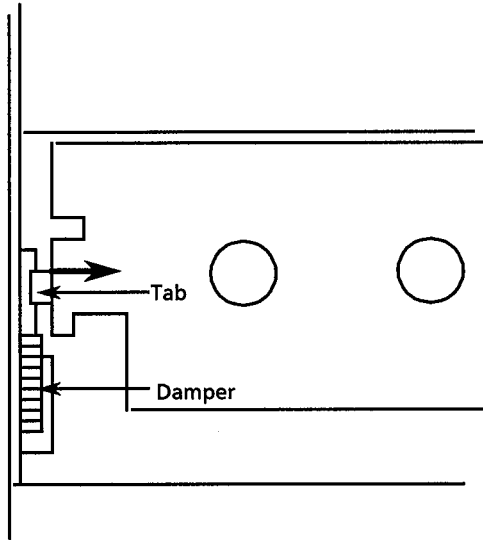


Fig 9

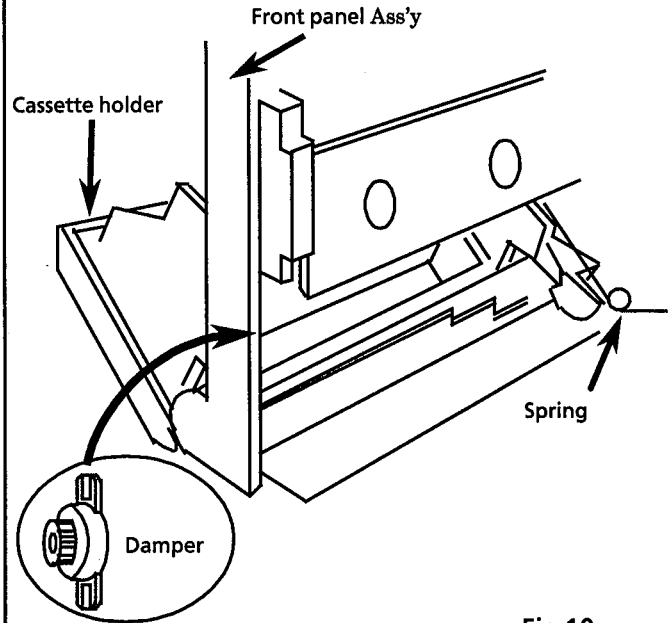


Fig 10



# Cassette Mech. Ass'y removal

**(13) Head assembly removal**

1. Remove the Cassette mech. ass'y .
2. Remove the Flexible wire from the cassette deck and remove the 3 screws ① holding the head Ass'y.

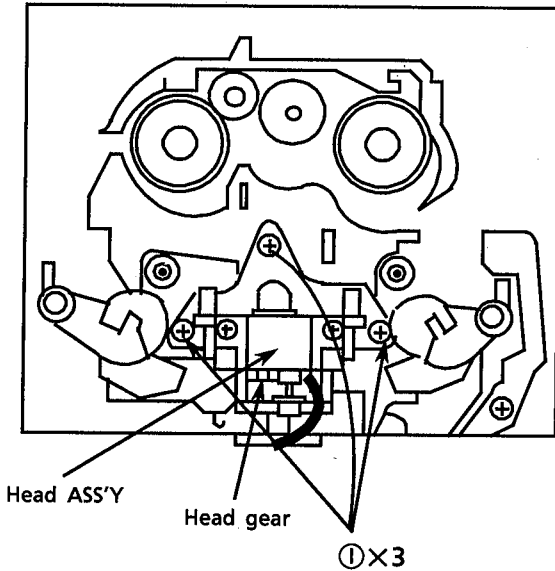


Fig 11 Cassette mech. bottom view

**(15) Pinch roller(FWD/REV) removal**

1. Remove the cassette mech. assembly.
2. Remove the hook holding the pinch roller.
3. Remove the pinch roller ass'y.

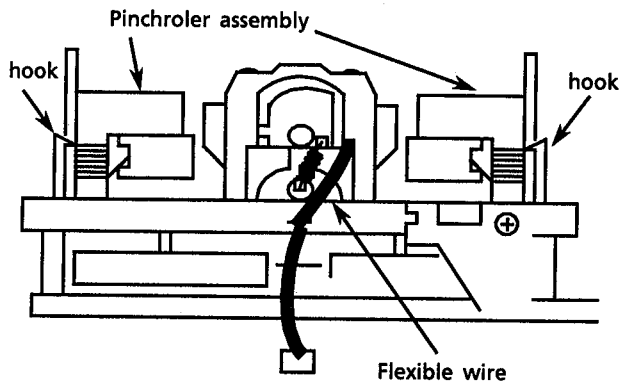


Fig 13 Cassette mechanism bottom view

**(14) Head assembly**

1. The direction of the head is changed with the direction lever .When servicing ,install the direction lever according to the direction of the head assembly .

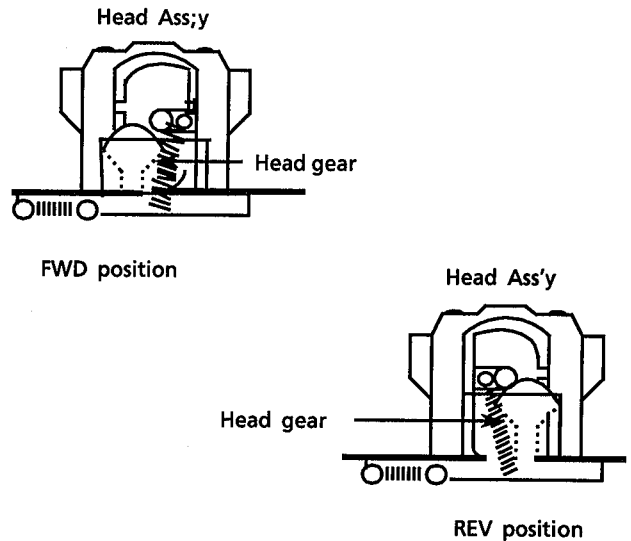


Fig.12-A Head Ass'y side view

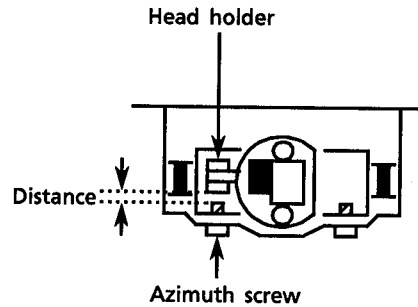


Fig.12-B A distance of between head older and azimuth screw

① .. SDSF2608Z

(16) Capstan motor removal.

1. Remove the cassette mechanism.
2. Remove the cassette deck control PCB.
3. Remove the 6 screws (Ⓜ) holding the bracket.
4. Remove the hooks (■) of the bracket.
5. Put the cutting on the flywheel A together the bracket's pawl as shown in Fig. 16(Flywheel A) and check that the flywheel B is removed from the bracket's pawl(Fig. 16-Flywheel B).
6. Remove the capstan motor with the bracket.
7. Unsolder the broken flat wire of the capstan motor.
8. Remove the 2 screws fixing the motor and the bracket.

\* To remove the bracket, it is easier to remove mech. "B" first.  
 Vice versa, assembling mech. "A" is easier for reassembly.

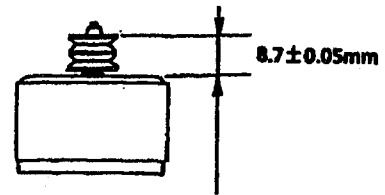


Fig 14 Capstan motor pulley installation

(17) Flywheel removal

1. Remove the cassette mechanism assembly.
2. Remove the cassette amp PCB.
3. Remove the 6 screws (Ⓜ) and the bracket.
4. Remove the 4 hooks of the bracket.
5. Remove the bracket.
6. Remove the flywheels.

\*The oil on the capstan must be wiped out after re-assembling.

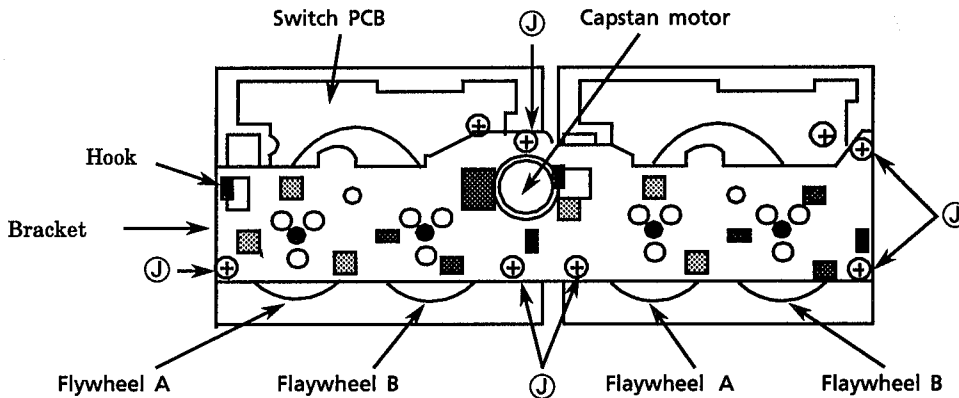


Fig. 15 Cassette mech. bottom view

Cutting on the flywheel

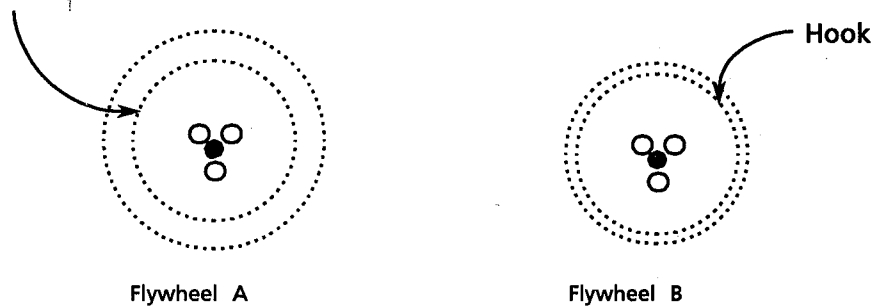
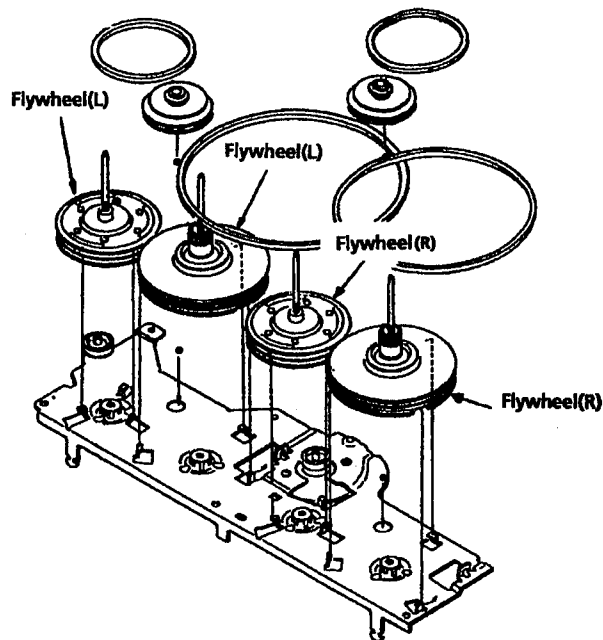


Fig 16 Hook and Cutting on the flywheel

Ⓜ .. SDSF2608Z

(18) How to install the belts

1. Install the flywheels and belts as shown in the figure below . ( Fig 17 )  
When putting the belts, put the long belt first.
2. Install the main reels to put the belts on the flywheels.



REEL BELTS

After hooking reel belts, no twist.

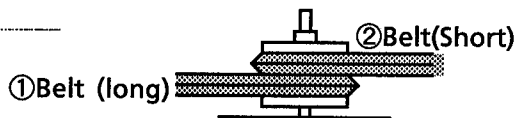


Fig 17-A Install the Braket and flywheels

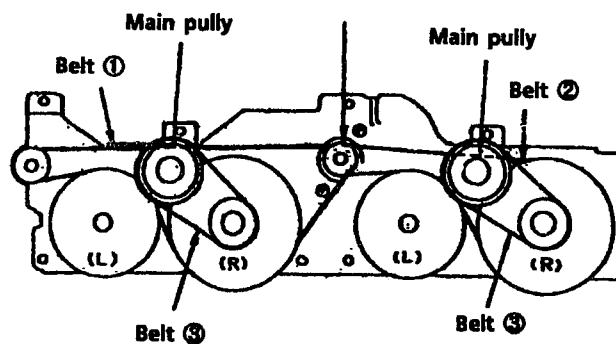


Fig 17-B Install the Belts

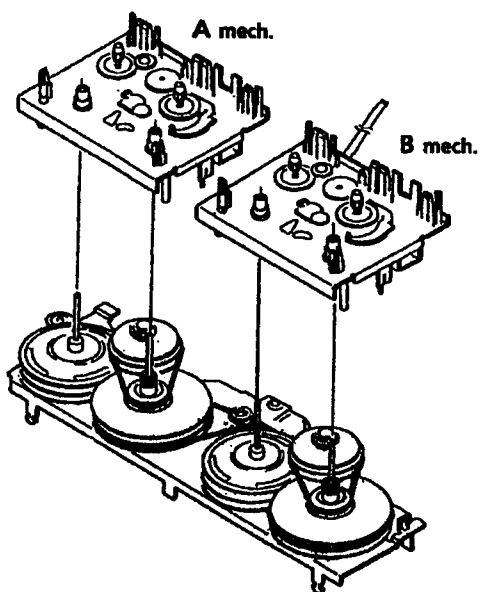


Fig 17-C Insdtall the cassette emch.

(19) Switch PCB removal

1. Remove the flywheel.
2. Remove the 1 screw ①.
3. Unsolder the broken solenoid.
4. Release the 4 hooks holding the Switch PCB.
5. Remove it.

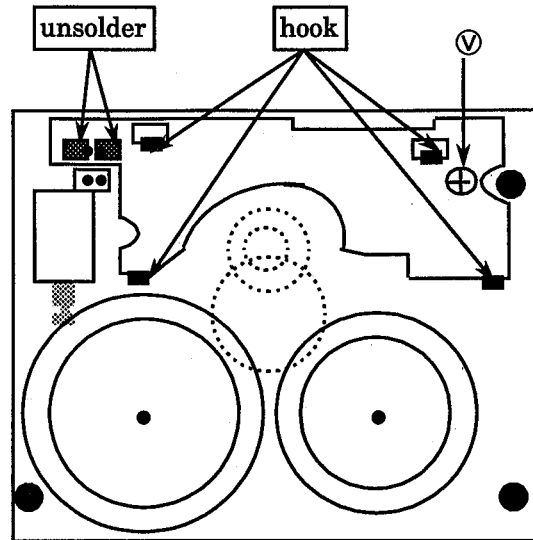


Fig 18 Cassette mech. bottom view

(20) How to install the cassette mechanism

Install the parts as shown in the Fig.19 .

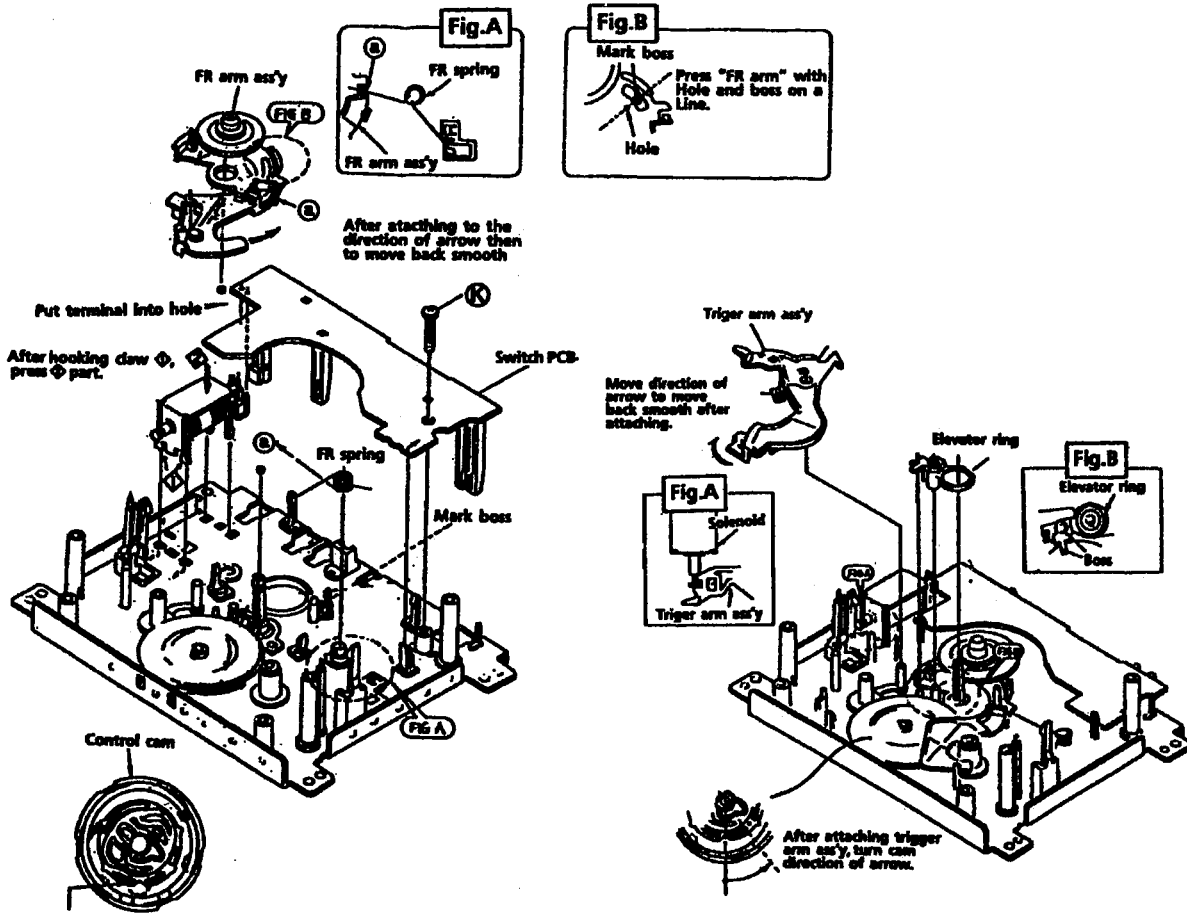


Fig 19 Install the link and arm ass'y

① .. E406293-001    ② ... SDSP2003N

## CD changer mech. Ass'y removal

### (21) CD Tray assembly removal

1. Disassemble the changer mech..
2. Remove the screw ① holding the stopper bracket.(See Fig.20) ---- (U.S.A and CANADA only)
3. Remove the rod from both ends' hooks which are secured on T.Bracket ② and clamber base③. [See Fig. 20]
4. Remove 3 screws① securing T.Bracket.(See Fig. 22.)
5. Remove a screw ④securing center of the clamper ass'y. (See Fig. 21)
6. Remove the clamper ass'y from ★ screw fixing side.
7. Remove a screw ①which secures the return spring and lock levers from the chassis ass'y.(See Fig. 23.)
8. Remove 2 pawls④ which slightly secure the return spring to remove it.
9. Remove 3 lock levers.
10. Check that the lifter unit stopper is inserted into hole ⑤ located on CD tray ass'y. (See Fig. 24.)
11. Check that the driver unit elevator is seen from a hole (marked ⑥) on left side of the CD changer mech..(See Fig. 25 and 26.)  
[NOTE] Set the elevator in correct position (Fig. 26) by rotating the pulley gear with finger if it is not positioned correctly (Fig. 27.).
12. Rotate the motor pulley clockwise with finger until the lifter unit's stopper is lowered from ⑤hole located on the CD tray ass'y. (See Fig. 27.)
13. And, pull all 3 CD tray assemblies forward until they stop. (See Fig. 25.)
14. Press 2 pawls(f, f') located rear side of the CD tray ass'y according to an arrow⑦ to remove the CD tray ass'y. (See Fig. 28.)  
At first, removing the lowest tray is easier.

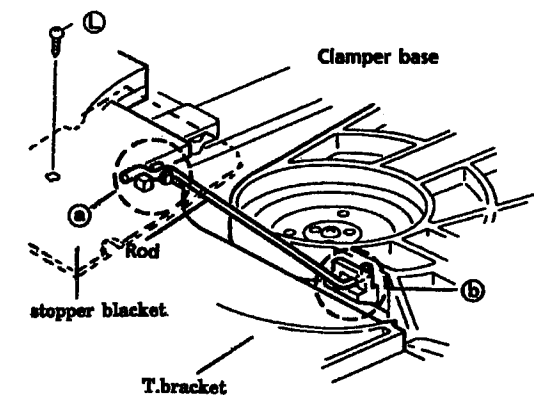


Fig. 20

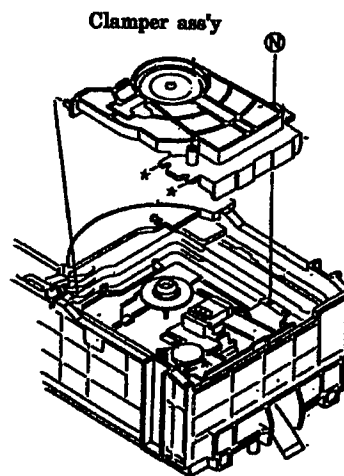


Fig.21

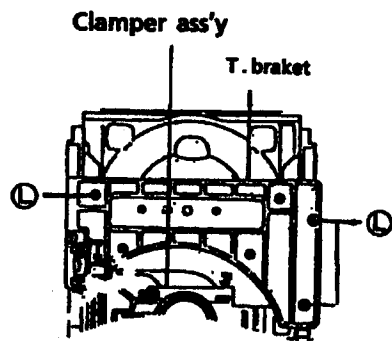


Fig.22

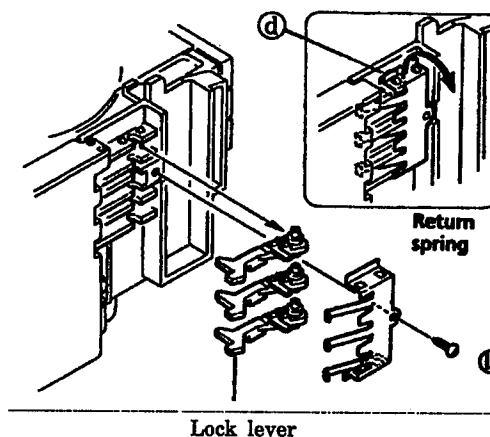


Fig.23

① .. SBSF2608Z

④ ... SPST2606Z

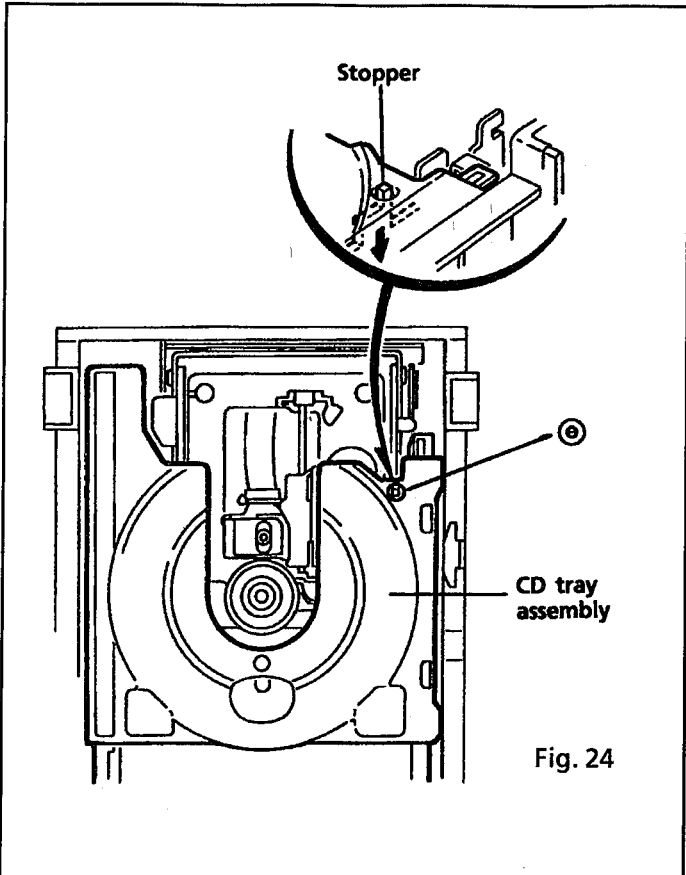
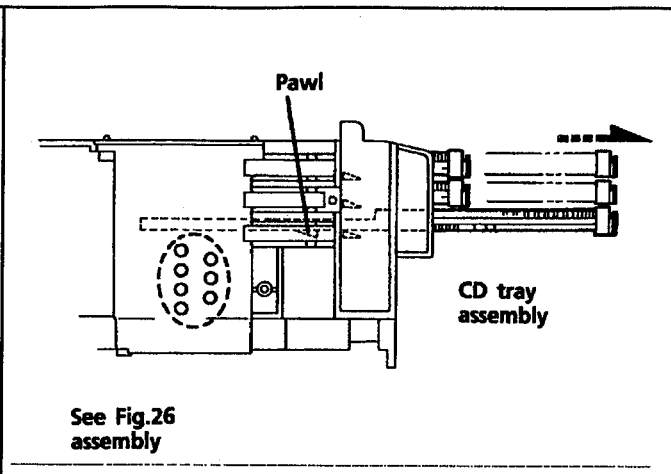


Fig. 24



See Fig.26 assembly

Fig. 25

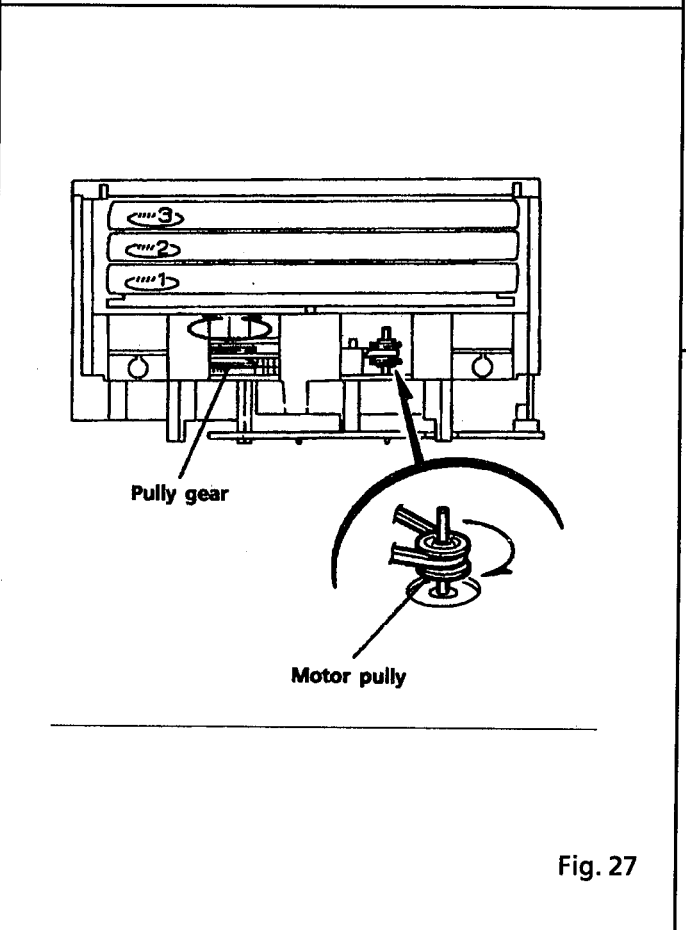


Fig. 27

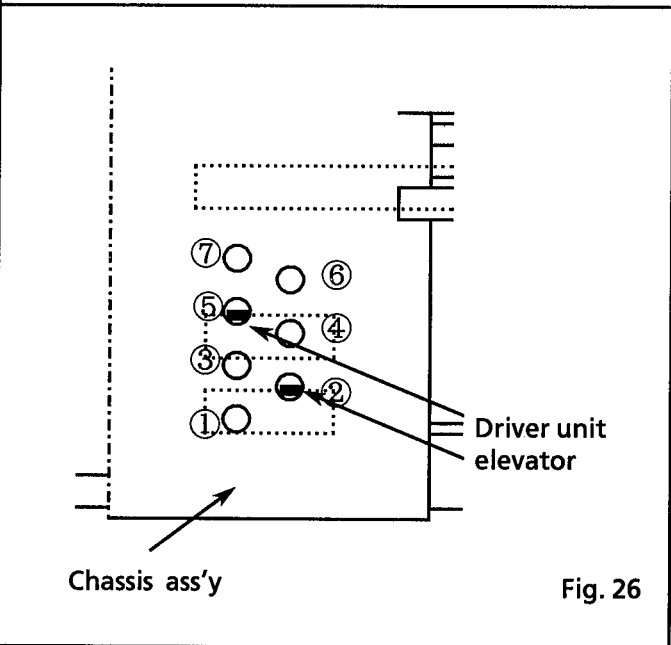


Fig. 26

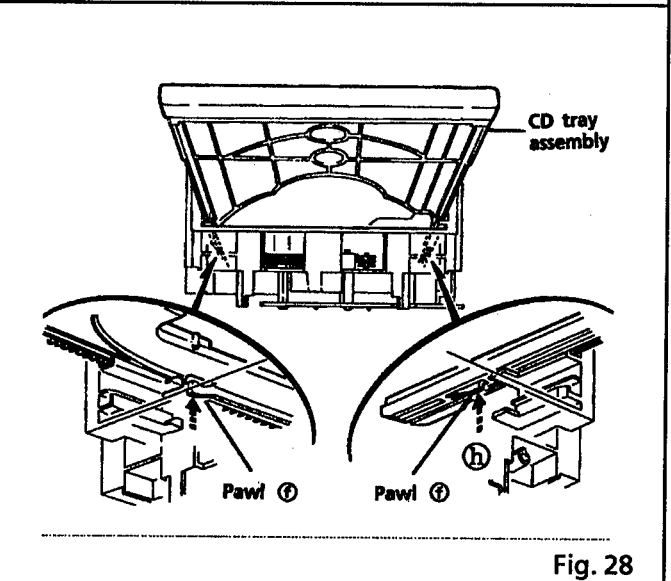


Fig. 28

(22) CD mechanism removal

1. Remove the CD tray ass'y.
2. Rotate the Cam R1, R2 ass'y counterclockwise so that CD mech. ass'y's shaft ⑤ is positioned as shown in Fig. 29.
3. Remove 4 screws ④ securing CD mech. ass'y. (See Fig. 29.)

\*How to replace pick-up unit

1. If CD mech. is removed without disassembling CD mech. ass'y, rotate the Cam R1, R2 ass'y clockwise to set the CD mech. ass'y's shaft(L) as shown in Fig. 30.
2. Lift the CD mech. ass'y toward the direction ① to remove it from the lifter unit. (See Fig. 31.)

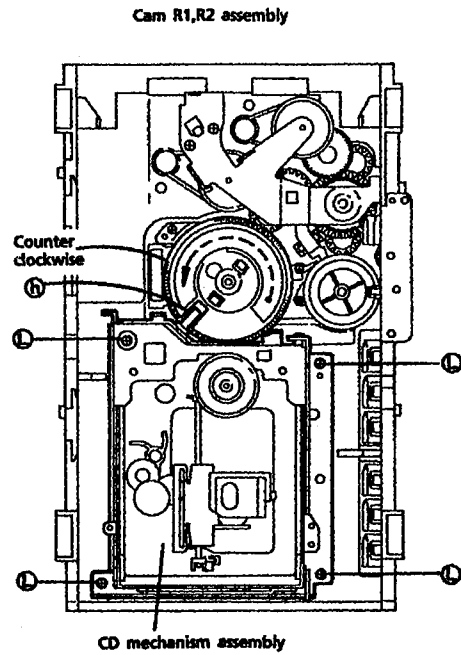


Fig. 29

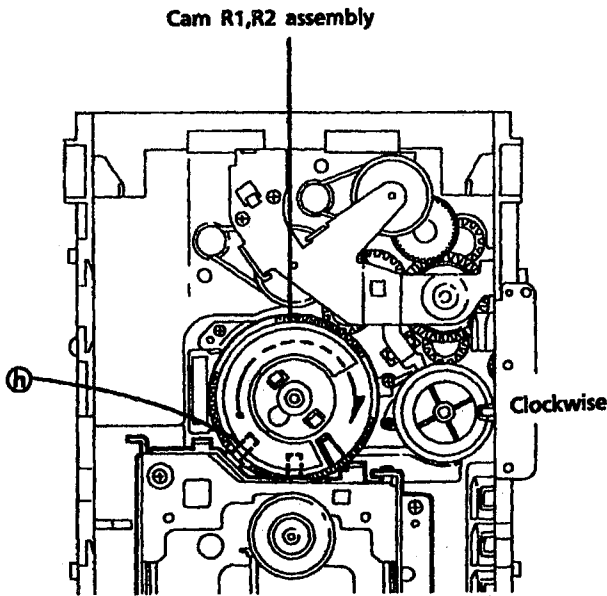


Fig. 30

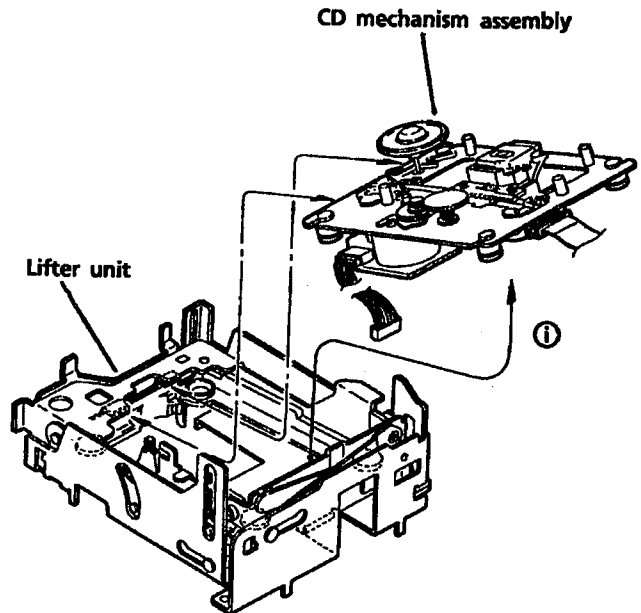


Fig. 31

④ .. SBSF2608Z

**(23) Actuator motor board removal**

1. Unsolder 4 soldered point ① for both motors. (See Fig. 32.)
2. Remove a screw ④ securing the CD servo board. (See Fig. 32.)
3. Press the hook and release it to remove the CD servo board.
4. Remove 2 screws ⑤ securing the actuator motor board. (See Fig. 32.)
5. Remove 2 screws ⑥ securing the tray select switch board. (See Fig. 33.)

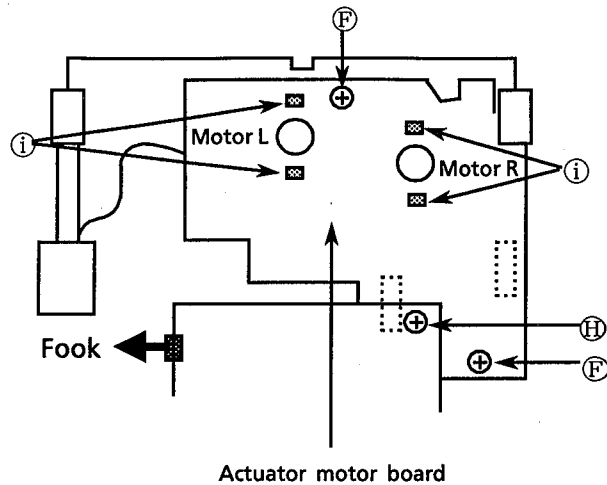


Fig. 32

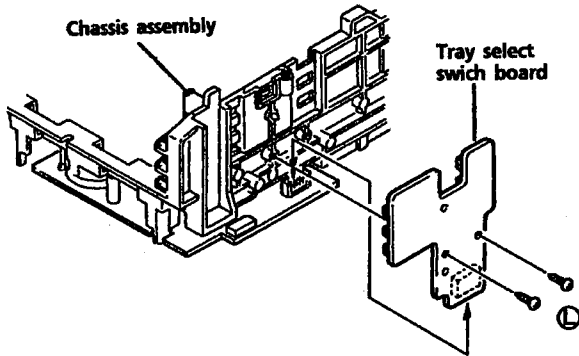


Fig. 33

**(24) Cam unit removal**

1. Disassemble CD mech. ass'y.
2. Rotate the Cam gear L so that the drive unit's pawl ⑫ is positioned as shown in Fig. 34.
3. Remove the drive unit and cylinder gear. (See Fig.35.)
4. Rotate the Cam gear L so that the select gear's ① is positioned as shown in Fig.36.
5. Remove 4 screws ⑦ securing the cam unit which includes the cam gear L and Cam R1, R2 ass'y. (See Fig 36.)

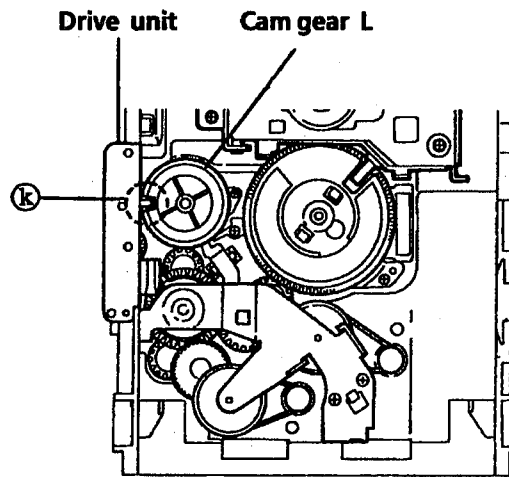


Fig. 34

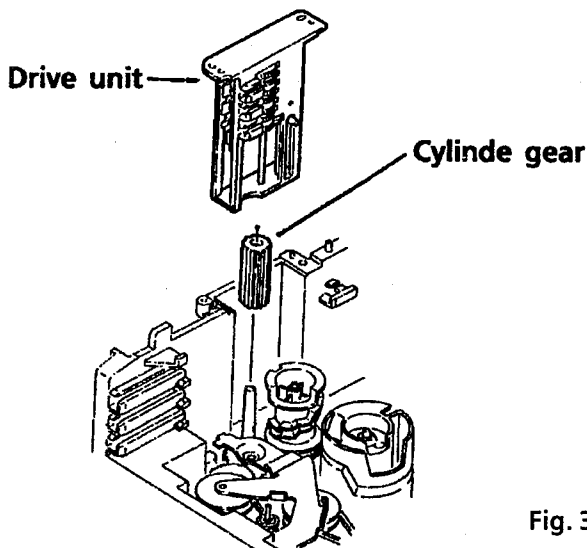


Fig. 35

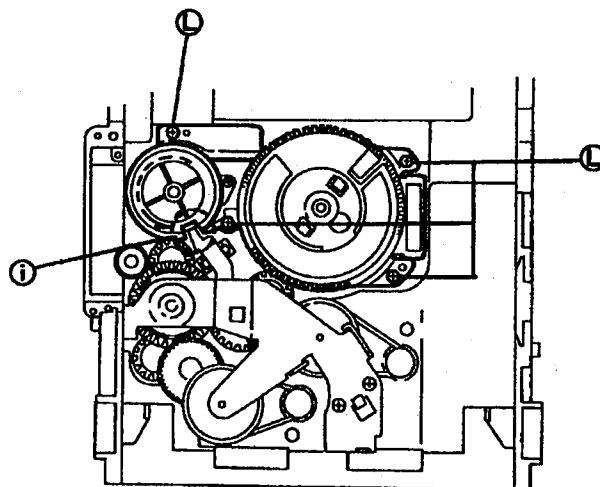


Fig. 36

⑦ .. SBSF2608Z      ④ ... SBSF3008Z



(25) Removal for actuator motor and belt

1. Remove 2 screws ① securing the gear bracket.  
(See Fig. 37.)
2. Press the pawl ② securing the gear bracket to the arrow in the figure to remove the gear bracket. (See Fig. 37.)
3. Remove the gear bracket from the chassis ass'y's ③ securing top of the gear bracket. (See Fig. 38.)
4. Remove each belts from the both actuator motor pulleys and the pulley gears. (See Fig.37.)
5. Reverse the chassis ass'y and widen 4 pawls ④ which secure both actuator motors to its arrows to remove the actuator motors. (See Fig.39.)

[NOTE] The pulley gears and other gears which consist the gear unit may drop separately if the chassis ass'y is reversed without gear bracket and belt.  
See Fig. 40 to assemble them again.

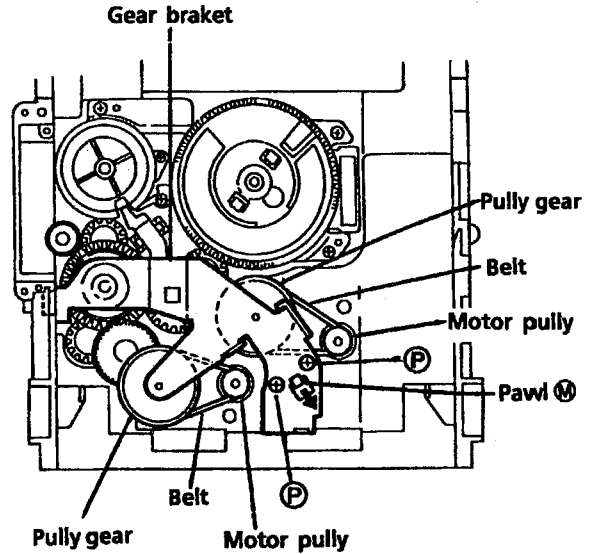


Fig. 37

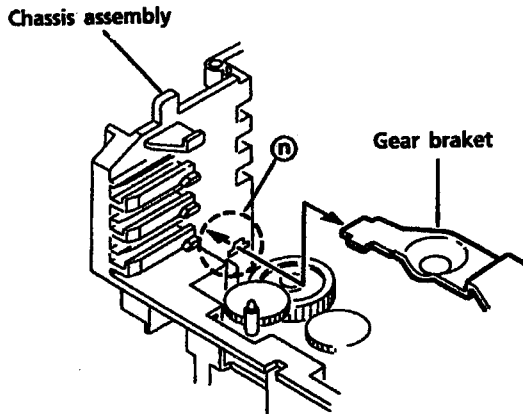


Fig. 38

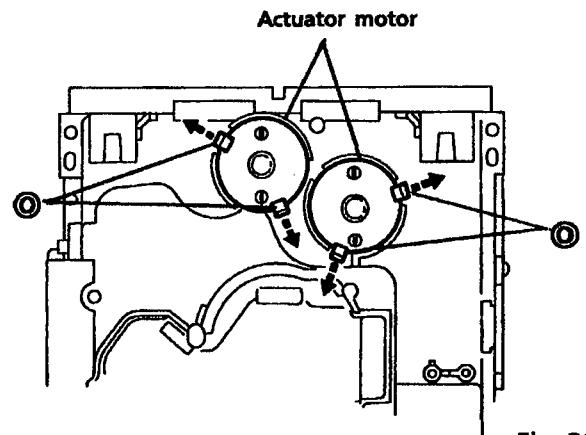


Fig. 39

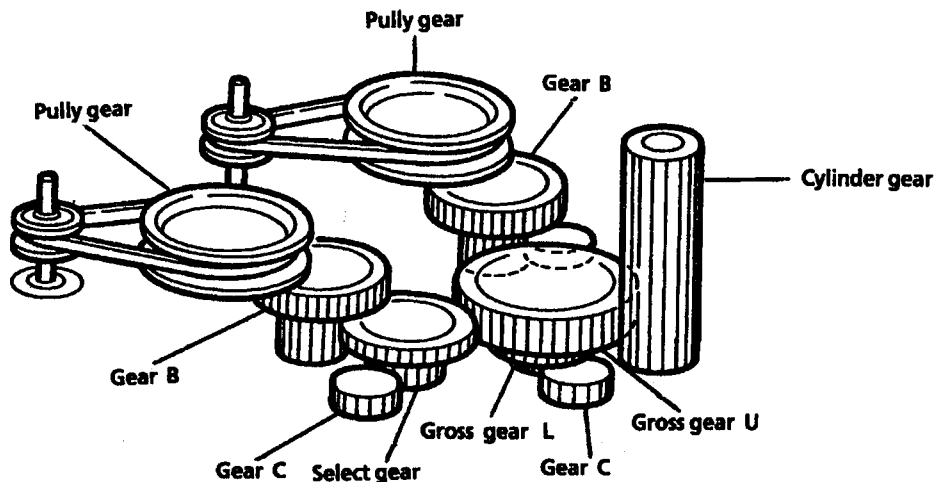


Fig. 40

① .. DPSP2616Z

**(26) Removal of cam R1, R2 ass'y and cam gear L**

1. Remove the slit washer securing Cam R1, R2 ass'y.  
(See Fig. 41.)
2. Remove 2 pawls ⑤ securing Cam R1 to remove Cam R2 from Cam R1.
3. Remove the slit washer securing Cam gear L.
4. Remove Cam gear L from the C.G. base ass'y.

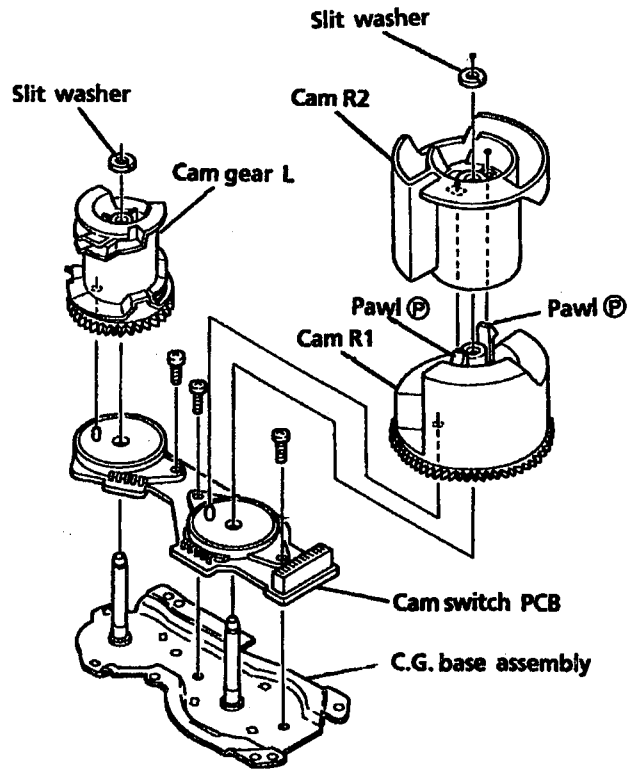


Fig. 41

**(27) Removal of C.G base ass'y**

Remove 3 screws ⑥ securing the C.G. base ass'y. (See Fig. 41 and 42.)

[NOTE] Set the drive unit's pawl ⑤ so that it is positioned as shown in Fig. 42.  
Confirm that the cam gear L engages with the gear unit by rotating the cam gear L.

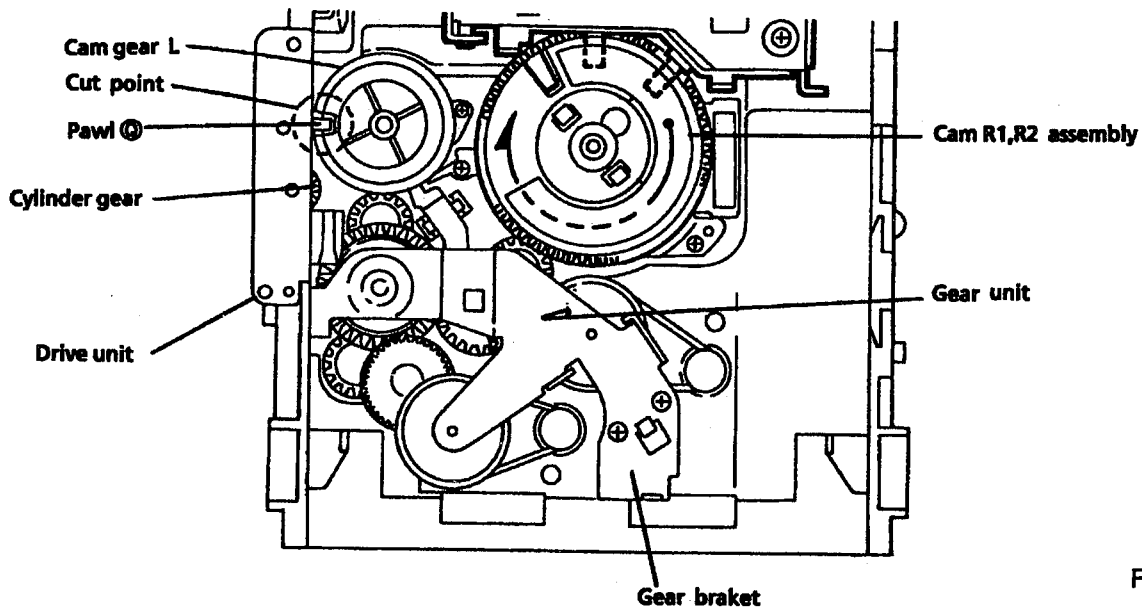


Fig. 42

⑥ .. SPST2606Z

- (28) Removing the Pickup
1. Remove the CD mech. assembly.
  2. Release the shaft to remove the pickup.

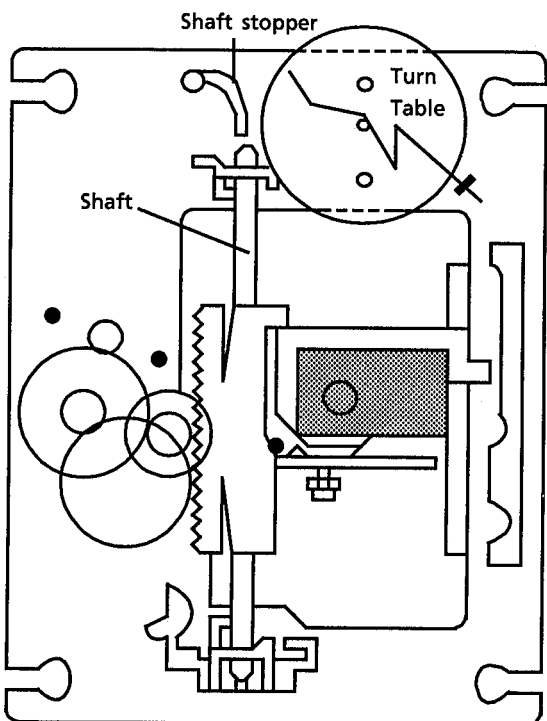


Fig. 43

- (29) Spindle motor installation
1. Tighten the 2 screws to the same torque.
  2. Fasten the spindle and feed motor P.C. board with the screw and solder.
  3. Install the turntable. When installing, press straight down at the center of the turntable until the distance from the surface of the mech. base to the turntable is exactly  $19.4 \pm 0.1\text{mm}$ .

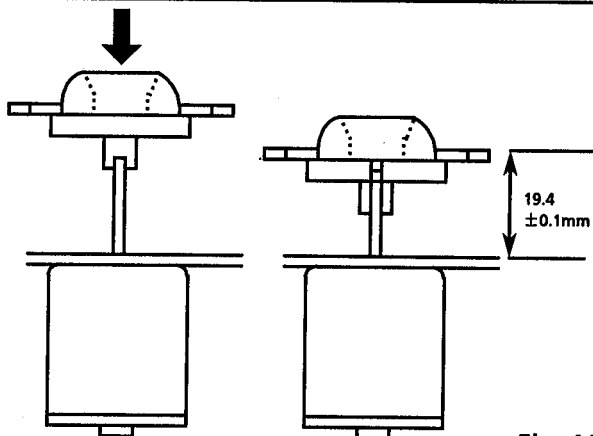


Fig. 44

- (30) Removing the Spindle motor
1. Remove the CD mech. assembly.
  2. Remove the turntable, and remove the 2 screws ⊗ retaining the spindle motor.
  3. Remove the screw retaining the spindle and feed motor circuit board and unsolder it.

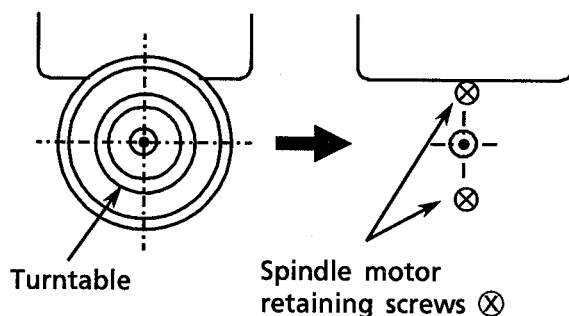


Fig. 45

- (31) After inserting the turntable, bond the motor shaft and turntable together (at the section marked by an arrow in fig 46 on the left below).

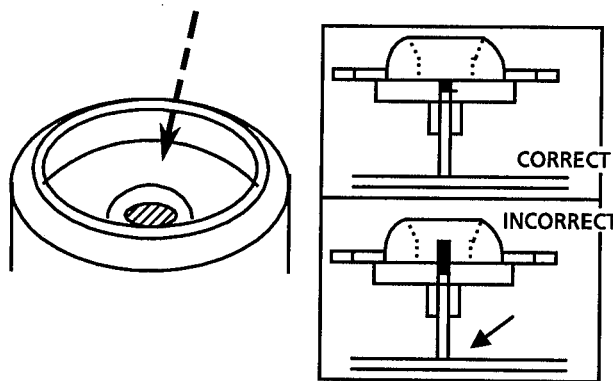


Fig. 46

- (32) Use "LOCKTITE" #460 bonding agent, and apply as little as possible.
- Take care not to allow any excess bonding agent to get onto the turntable.
- Be extremely careful not to allow bonding agent to adhere to the motor bearing (the section marked by an arrow in fig 46 on the right).

⊗ .. SDSP2003N

# Adjustment procedures

## ■ Tuner section

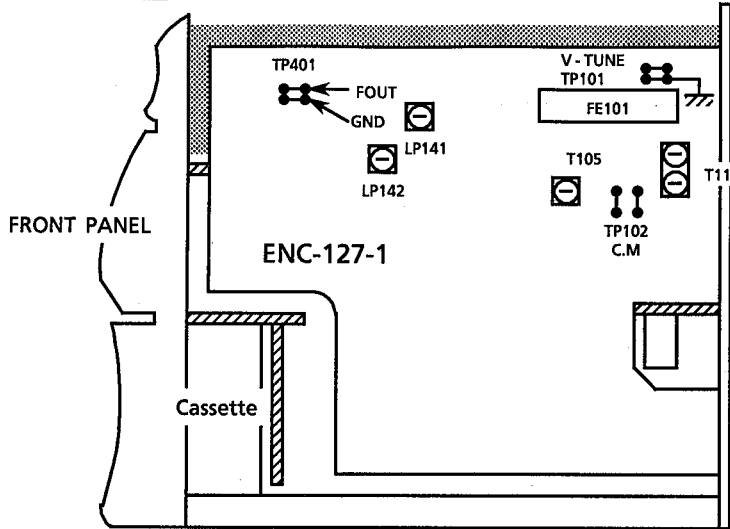
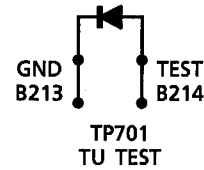


Fig.1

### Clock Adjustment

1. After connecting B213 and B214 with some wire as shown in the figure below, connect the AC power cord into an AC outlet.
2. Confirm that the display is off and remove the wire.
3. Connect a frequency counter to TP401 B268 and B349.
4. Confirm the frequency  $50000 \pm 0.29\text{Hz}$ .



ENB-219-1(Front PCB)

### (1) Tuning voltage

Confirm the voltages at TP101 is within the standard values shown in the table below. If the voltages are not satisfied, replace T111 for MW 5or FE101 for FM.

FM Tuning voltage (Unit : V)

| Area      | Frequency |         |                   |                   |
|-----------|-----------|---------|-------------------|-------------------|
|           | 64.0MHz   | 74.0MHz | 87.5MHz           | 108MHz            |
| Universal | —         | —       | $1.6 \pm 1.0 (V)$ | $8.0 \pm 2.0 (V)$ |

AM Tuning voltage (Unit : V)

| Area                              | Frequency (MW) |        |        |         |         |         |         | Frequency (LW) |        |
|-----------------------------------|----------------|--------|--------|---------|---------|---------|---------|----------------|--------|
|                                   | 522KHz         | 530KHz | 531KHz | 1600KHz | 1602KHz | 1629KHz | 1710KHz | 144kHz         | 288kHz |
| U,UT,UB,UP,US(Channel Space 9kHz) | —              | —      | >0.8   | —       | <7.9    | —       | —       | —              | —      |
| Universal(Channel Space 10kHz)    | —              | >0.8   | —      | <7.9    | —       | —       | —       | —              | —      |

### (2) FM center meter

Receive a broadcast which understanding the frequency by using the function of 'MANUAL SEARCH'. Adjust T105 (detector coil) so that the voltage at TP102 becomes  $0 \pm 1.5\text{mV}$ .

| The Marks for Designated Areas |                    |                             |             |
|--------------------------------|--------------------|-----------------------------|-------------|
| J .....                        | the U.S.A.         | A .....                     | Australia   |
| G .....                        | Germany            | U .....                     | Universal   |
| EF .....                       | Continental Europe | EN .....                    | Scandinavia |
| UB .....                       | Hong Kong          | UP .....                    | Korea       |
| C .....                        | Canada             | US .....                    | Singapore   |
| VX .....                       | East Europe        | GI .....                    | Italy       |
| UT .....                       | Taiwan             | No mark indicates all area. |             |
| BS .....                       | the U.K.           |                             |             |

■ Deck Adjust point

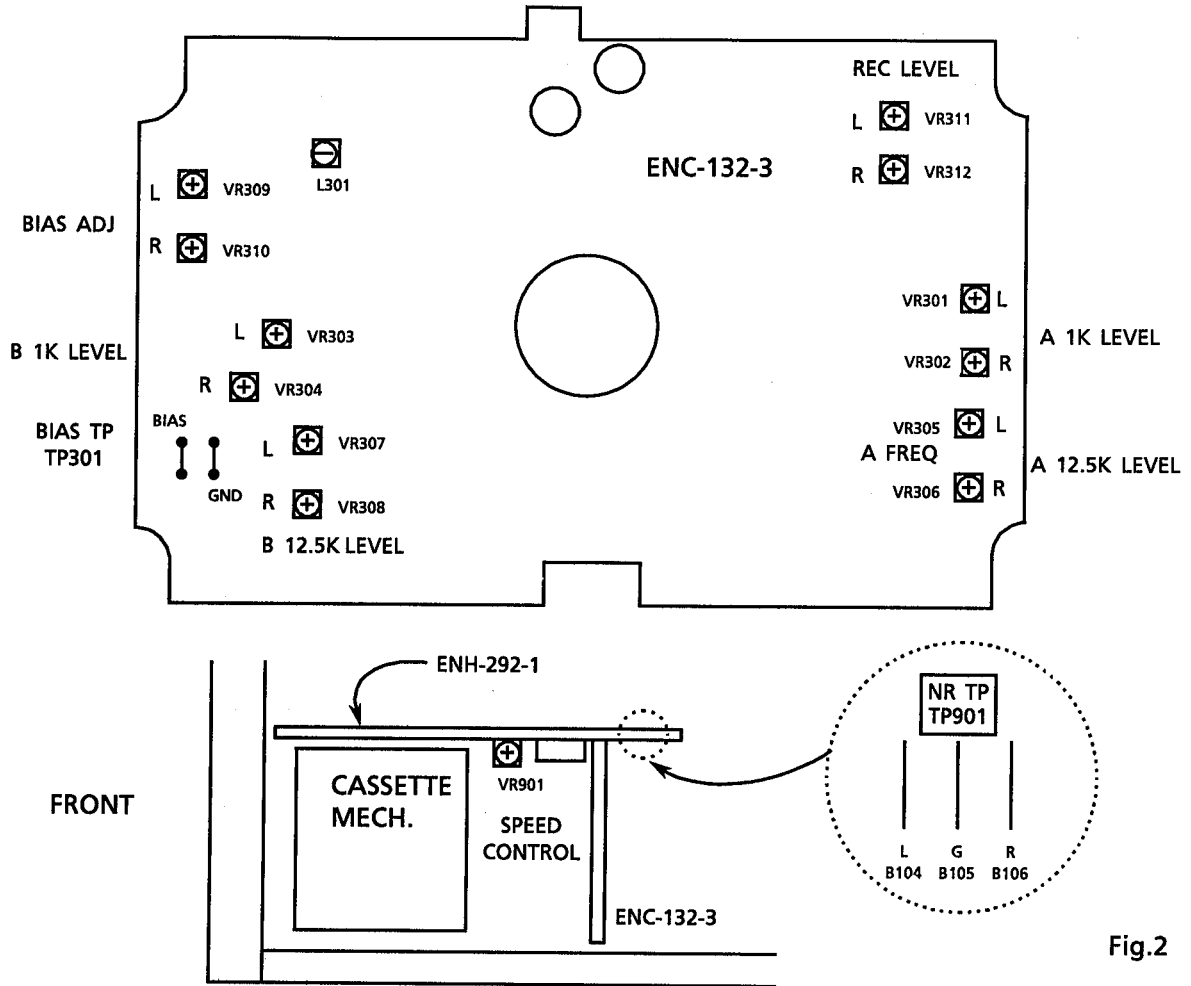


Fig.2

Deck section

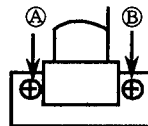
1. Measuring instruments

- Audio frequency signal generator ( 0dbS output at the 600 ohm output terminal from 50Hz to 20KHz)
- Electronic voltmeter
- Frequency counter
- Wow & Flutter meter
- Distortion Meter with band pass filter
- Attenuator (600 ohm impedance)
- A resistor with 600Ω

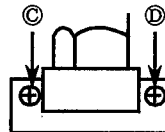
| Tape No.            | Frequency | Level (Wow & Flutter) | Purpose                                 |
|---------------------|-----------|-----------------------|---|
| VTT-703L            | 10kHz     | -10dBs                | Head azimuth , Frequency Response       |
| VTT-712             | 3000Hz    | 0dBs 0.025%WRMS       | Tape Speed , Wow & Flutter              |
| VTT-724             | 1kHz      | -4dBs                 | Standard Level                          |
| TMT-6447            | --        | --                    | Blank Skip                              |
| TMT-6247 , TMT-6237 | --        | --                    | Music Scan                              |
| TMT-7088S           | --        | --                    | Recording standard Normal : UR          |
| AC-712              | --        | --                    | Recording standard METAL :MA            |
| AC-513              | --        | --                    | Recording standard CrO <sub>2</sub> :SA |
| TW-2111, TW-2121    | --        | --                    | Forward / reverse play torque measuring |
| TW-2231             | --        | --                    | Feed forward / rewind torque measuring  |
| C-120 Tape          | --        | --                    | Confirming the tape running             |

## 2.Adjustment and repairing the mechanism

| Item                | Adjustment method  | Standard value  | Remarks  |
|---------------------|--|-----------------|--|
| Head azimuth        | <p>Deck A</p> <ol style="list-style-type: none"> <li>1. Connect an electronic voltmeter to the NR TP901 (figure 1) to playback VTT-703L.</li> <li>2. Adjust screw ① so that the indication of the voltmeter becomes maximum when PLAY (▶) is pressed.</li> <li>3. Adjust screw ② so that the indication of the voltmeter becomes maximum when PLAY (◀) is pressed.</li> </ol> <p>Deck B</p> <ol style="list-style-type: none"> <li>4. Adjust screw ③ so that the indication of the voltmeter becomes maximum when PLAY (▶) is pressed.</li> <li>5. Adjust screw ④ so that the indication of the voltmeter becomes maximum when PLAY (◀) is pressed.</li> <li>6. After making the adjustment, apply screw lock to prevent screws ①, ②, ③ and ④ coming loose.</li> </ol> | Maximum         | <ol style="list-style-type: none"> <li>1. <b>Refer to figure 3.</b></li> <li>2. When the specified characteristic cannot be obtained because of head wear, excessive magnetization, etc., replace the head assembly and adjust the head azimuth. Also, perform the electric adjustment.</li> <li>3. When there is the difference of more than 3 ~ 4 dB between left and right output levels, replace the head assembly to avoid complaints.</li> </ol> |
| Playback torque     | 1. Measure the torque in the playback mode by the torque meter.  | 26 ~ 72 g-cm    | When the standard torque cannot be obtained, replace the FR arm assembly or motor.   |
| Fast forward torque | 1. Measure the torque in the fast forward mode by the torque meter.  | 75 ~ 175 g-cm   | When the standard torque cannot be obtained, replace the FR arm assembly or motor.   |
| Rewind torque       | 1. Measure the torque in the rewind mode by the torque meter.  | 75 ~ 175 g-cm   | When the standard torque cannot be obtained, replace the FR arm assembly or motor.   |
| Wow & flutter       | <ol style="list-style-type: none"> <li>1. Connect the wow &amp; flutter meter to the DOLBY TP (figure 1) and play back VTT-712.</li> <li>2. Its reading should be within 0.25% (WTD).</li> </ol>   | Less than 0.25% | As a complaint may occur if the wow & flutter fluctuates by 0.1% even though it is allowed in the standard, repairing is required.   |



Deck A



Deck B

Fig.3

### 3. Electrical Adjustments (Make the following adjustments after adjusting the head azimuth.)

In principle, the adjustments should be made in the following sequence.

Set the NR switch to OFF and the BEAT CUT switch to "1".

Adjustments marked with an asterisk (\*) should always be made after the head is replaced

**0dBs = 0.775V**

| Item  | Adjustment Method  | Adjustment Location  | Standard Value                                  | Remarks   |
|---|--|--|---|---|
| Tape Speed                                      | 1. Connect a frequency counter to the NR TP 901 (figure 1) and play back VTT-712.<br>2. Adjust the semi-fixed resistor VR935 on FMH-005 - 1 (figure 1).  | VR935  | 3,000 Hz<br>± 10Hz                              | Connect a wow & flutter meter with a built-in frequency counter to the speaker terminals.   |
| Standard level (Playback Level)                 | 1. Connect an electronic voltmeter to the NR TP901(figure 1).<br>Play back VTT-724 (1 kHz : -4dBs) to adjust the semi - fixed resistors.   | <b>Deck A</b><br>L: VR301<br>R: VR302<br><b>Deck B</b><br>L: VR303<br>R: VR304 | 488mV<br>(-4dBs)                                | 1) The playback level varies when the head is replaced so should be adjusted.<br>Use an electronic voltmeter with an impedance of 100 kΩ or more.   |
| Playback Frequency Response                     | 1. Connect an electronic voltmeter to the NR TP 901(figure 1).<br>2. Play VTT-703L (10kHz : -10dBs) and adjust semi-fixed resistors to obtain the standard values.   | <b>Deck A</b><br>L: VR305<br>R: VR306<br><b>Deck B</b><br>L: VR307<br>R: VR308 | 245mV<br>(-10dBs)                               | —   |
| Recording Bias Frequency                        | 1. Connect a frequency counter to the BIAS TP(figure 1), and perform a recording to adjust bias frequency .  | L301   | 105 kHz<br>± 5 kHz                              |   |
| Record / Play Frequency Response (Bias current) | 1. Supply 1kHz and 12.5kHz with 30mV signals to AUX terminals respectively to record them.<br>2. Connect an electronic voltmeter to the NR TP901 (figure 1) to confirm the recorded values.<br>3. If the values are not satisfied ,adjust the semi-fixed resistors and record the signal again to confirm the recorded values. | L: VR309<br>R: VR310   | 0± 2 dB<br>with<br>1 kHz<br>as the<br>standard. | <b>Refer to figure 4 below.</b><br>1) The recording and playback frequency response of a cassette deck are adjusted by adjusting the bias.<br>2) Perform the adjustment with normal tape and confirm that the values are within the range for metal tape. |

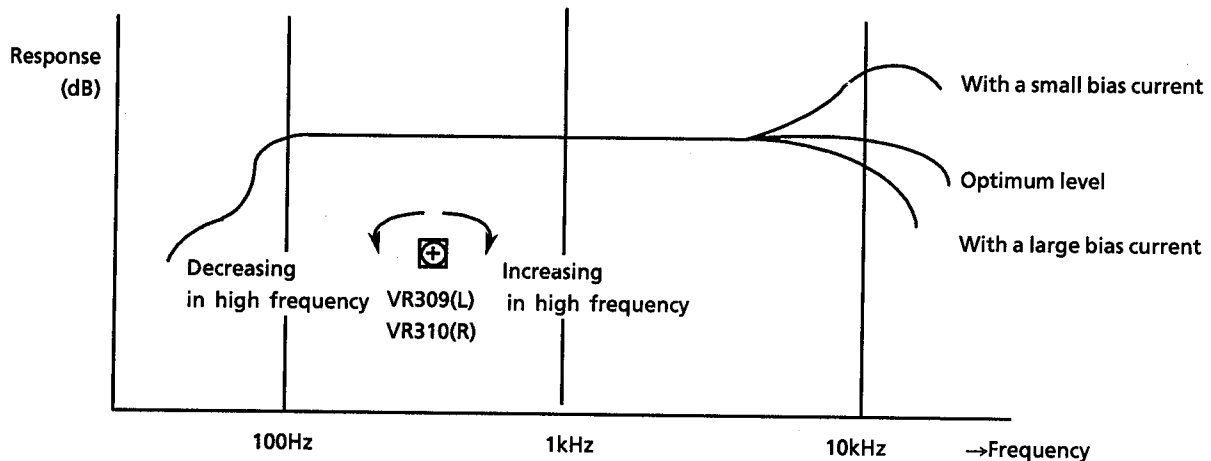
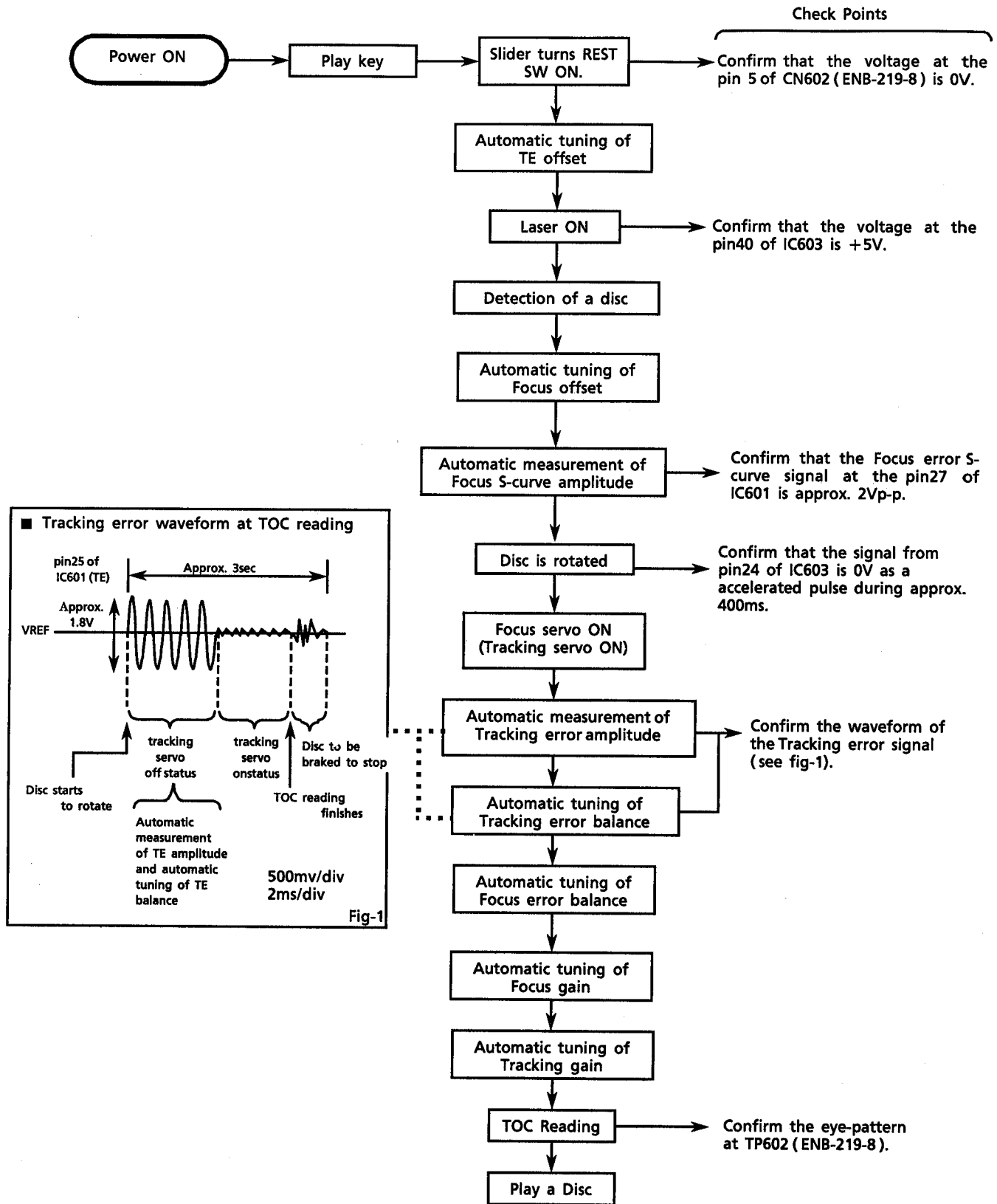


Fig.4

# Flow of Functional Operation Until TOC is Read





## Maintenance of Laser Pickup

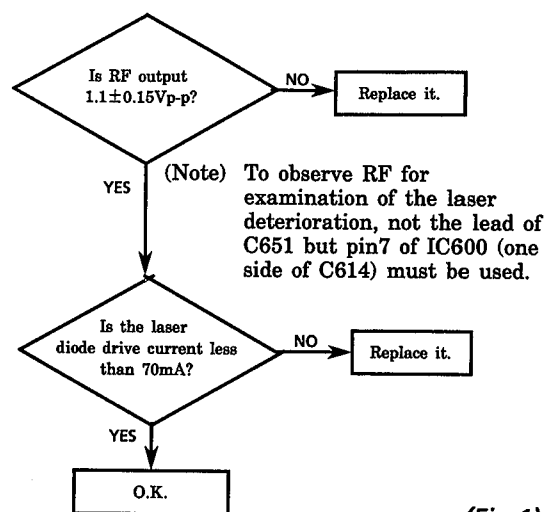
### (1) Cleaning the pick up lens

Before you replace the pick up, please try to clean the lens with a alcohol soaked cotton swab.

### (2) Life of the laser diode (Fig.1)

When the life of the laser diode has expired, the following symptoms will appear.

- (1) The level of RF output (EFM output: amplitude of eye pattern) will be low.
- (2) The drive current required by the laser diode will be increased. In such a case, check the life of the laser diode following the flowchart below.



(Fig.1)

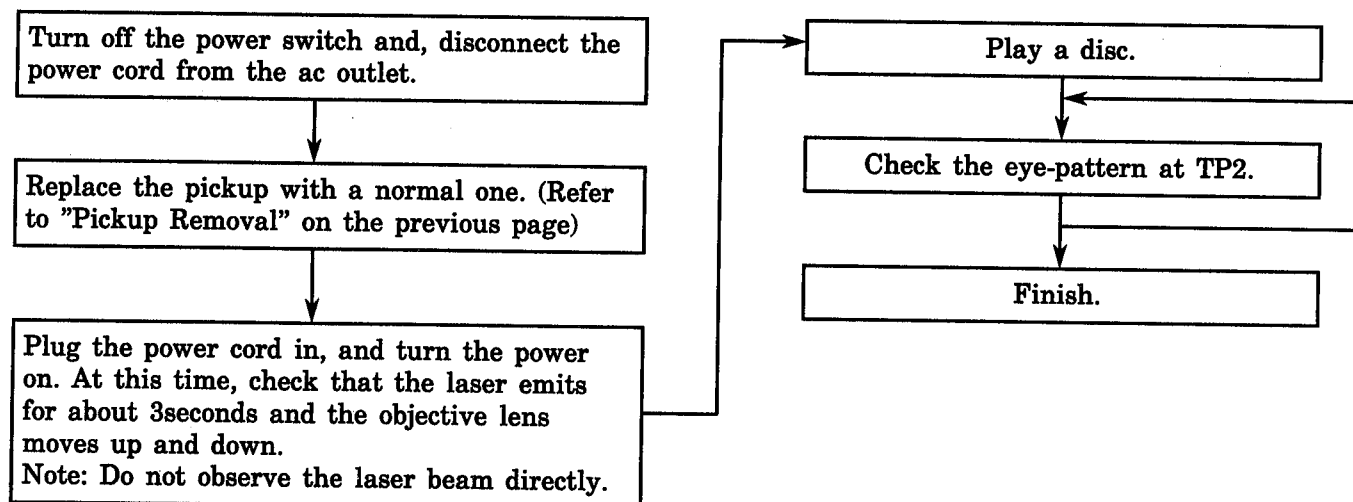
### (3) Semi-fixed resistor on the APC PC board

The semi-fixed resistor on the APC printed circuit board which is attached to the pickup is used to adjust the laser power. Since this adjustment should be performed to match the characteristics of the whole optical block, do not touch the semi-fixed resistor.

If the laser power is lower than the specified value, the laser diode is almost worn out, and the laser pickup should be replaced.

If the semi-fixed resistor is adjusted while the pickup is functioning normally, the laser pickup may be damaged due to excessive current.

## Replacement of Laser Pickup



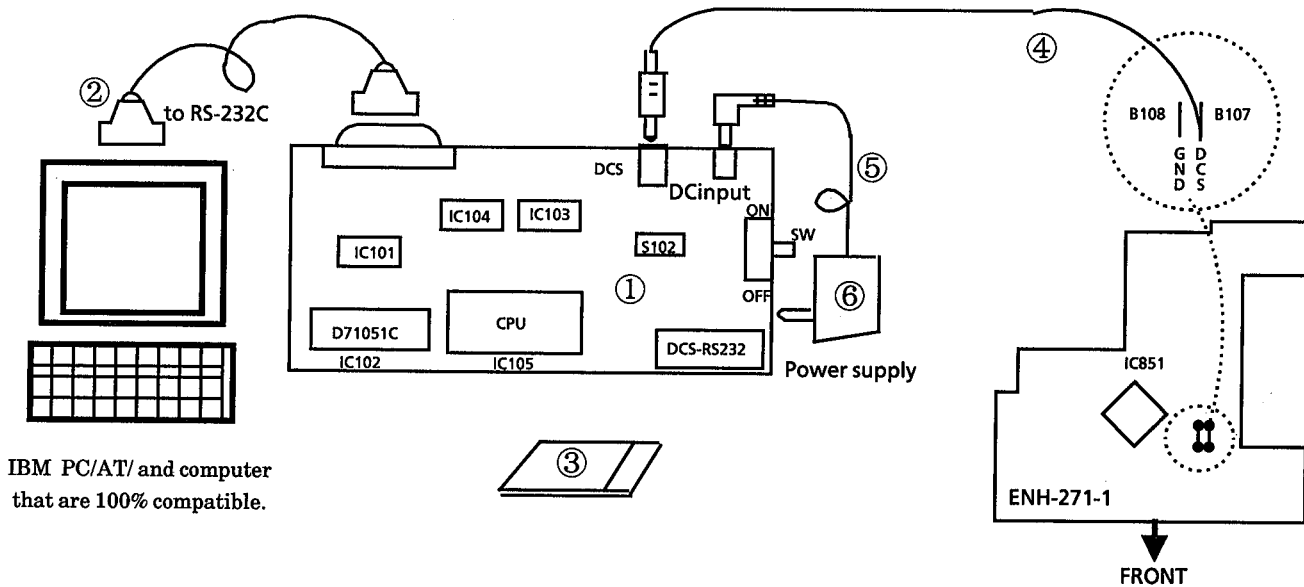
# Self-diagnosis for pickup

From DCS output, this model reads automatically adjusted data for CD so that the pickup can be judged defective or not. Following shows its details.

## 1. Necessary items

- ① DCS → 232C Converting board (No.EBSJ1022)
- ② 232C cord (straight)
- ③ Floppy disc for self-diagnosis (No.EBSJ1022)
- ④ DCS cord
- ⑤ Cord of Power supply E407992-001
- ⑥ Power supply DC 6.3V (AA-SV11J--America/Canada) (AA-SV11Bs--the UK)  
(AA-SV11G--Germany) (AA-SV11EF--Continental Europe) (AA-SV11U--the  
Other aria)
- ⑦ CD (without scratches or damage)

## 2. Connection



## 3. Procedure to use CD self-diagnosis jig by IBM PC

Two com pins are frequently adopted in recent IBM AT and its substitute RS232C port.

This jig can also use both COM1 and COM2.

DEFAULT is COM1. Indicate "2" to the option only for COM2.

When COM1 is used,...

I AUTO 01

When COM2 is used,...

I AUTO 02

[ NOTE ] Press ESC key to stop processing during the operation.

Contents of the attached floppy IBM self-diagnosis program VER.1.00 Execution file.

(Mistake the conection/Mistake the polarity)

#### 4. Judgment

To judge whether pickup is defective or not, firstly process of automatic adjustment is checked by automatic adjustment flag. And, the value(automatic adjustment value for focus gain) displayed on the screen is used for its final judgment.

It is supposed that the pickup is defective or the signal path is faulty if the Flag1 or Flag0 indicates not "F" but a figure.

(See the following example.)

| Flag1 | Flag0 | Details   | Supposed cause  |
|-------|-------|---|---|
| 0     | 0     | Automatic adjustment for tracking offset is failed.   | The automatic adjustment is not completed. (Trouble in circuit.)                |
| 0     | 1     | Automatic adjustment for focus offset is failed. (Disc does not rotate.)  | The lens does not move. (Power supply is not turned on. Wire is cut.)           |
| 0     | 3     | Automatic rough adjustment for focus gain is failed.  |   |
| 0     | 7     | Automatic rough adjustment for tracking gain is failed. (The focus and tracking gain are not locked though the disc rotates.)   | Laser deterioration (low RF signal output). Offset beam.                        |
| 0     | F     | Disc rotates, focus and tracking gain are locked and automatic rough adjustment for tracking gain is also completed though automatic adjustment for tracking balance is failed. | Laser deterioration (low RF signal output). Offset beam.                        |
| 1     | F     | Automatic adjustment for focus balance is failed. (TOC is not read though the disc rotates.)  | RF signal output is low. Tracking loop is not turned on. RF jitter is too much. |
| 3     | F     | Automatic rough adjustment for focus gain is failed.  |   |
| 7     | F     | Automatic rough adjustment for tracking gain is failed.   |   |
| F     | F     | All automatic adjustments are completed.  |   |

The pickup is judged defective though the Flag0 and Flag1 indicate "F" and those adjustments are completed if the adjustment value exceeds 19dB.

)

)

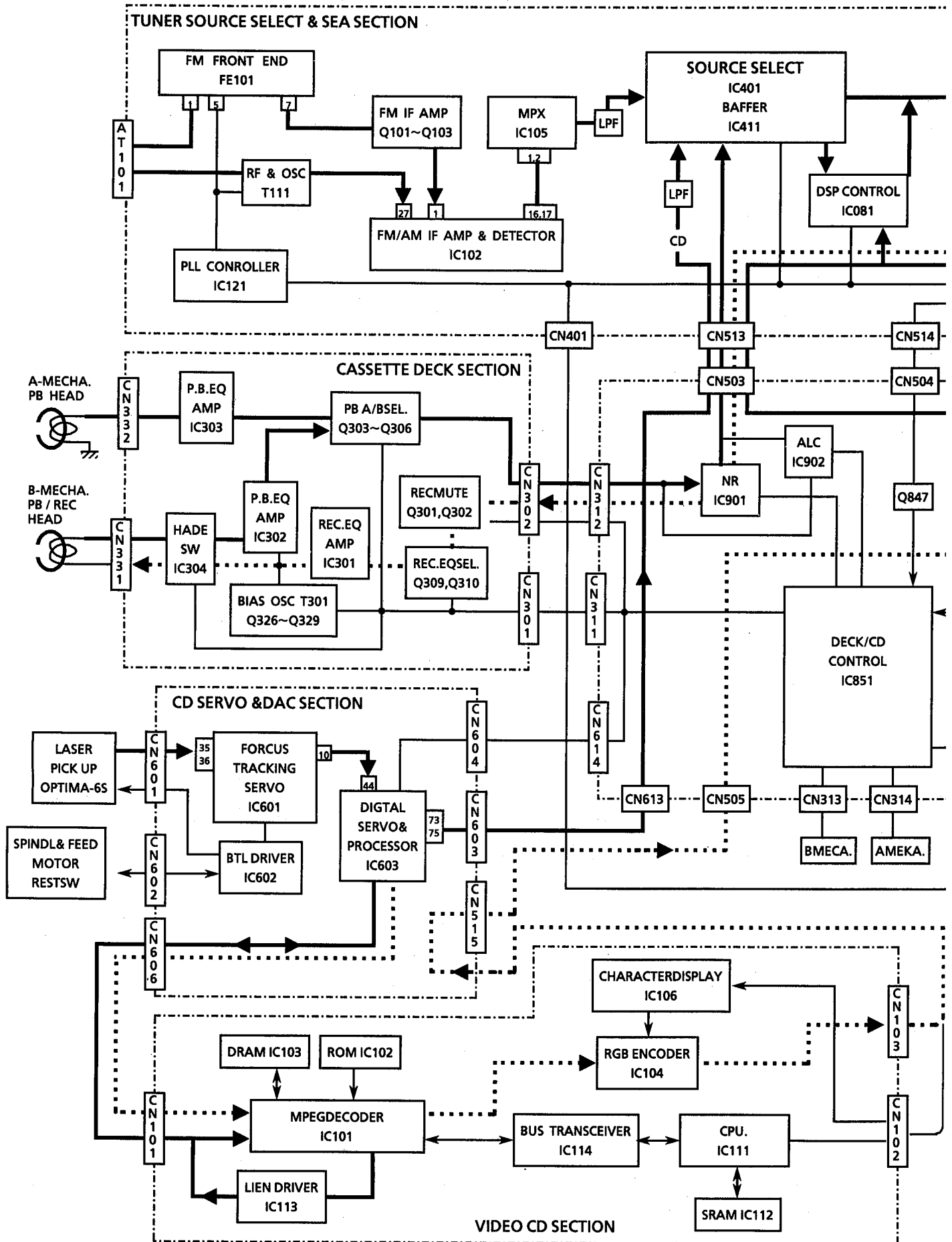
)

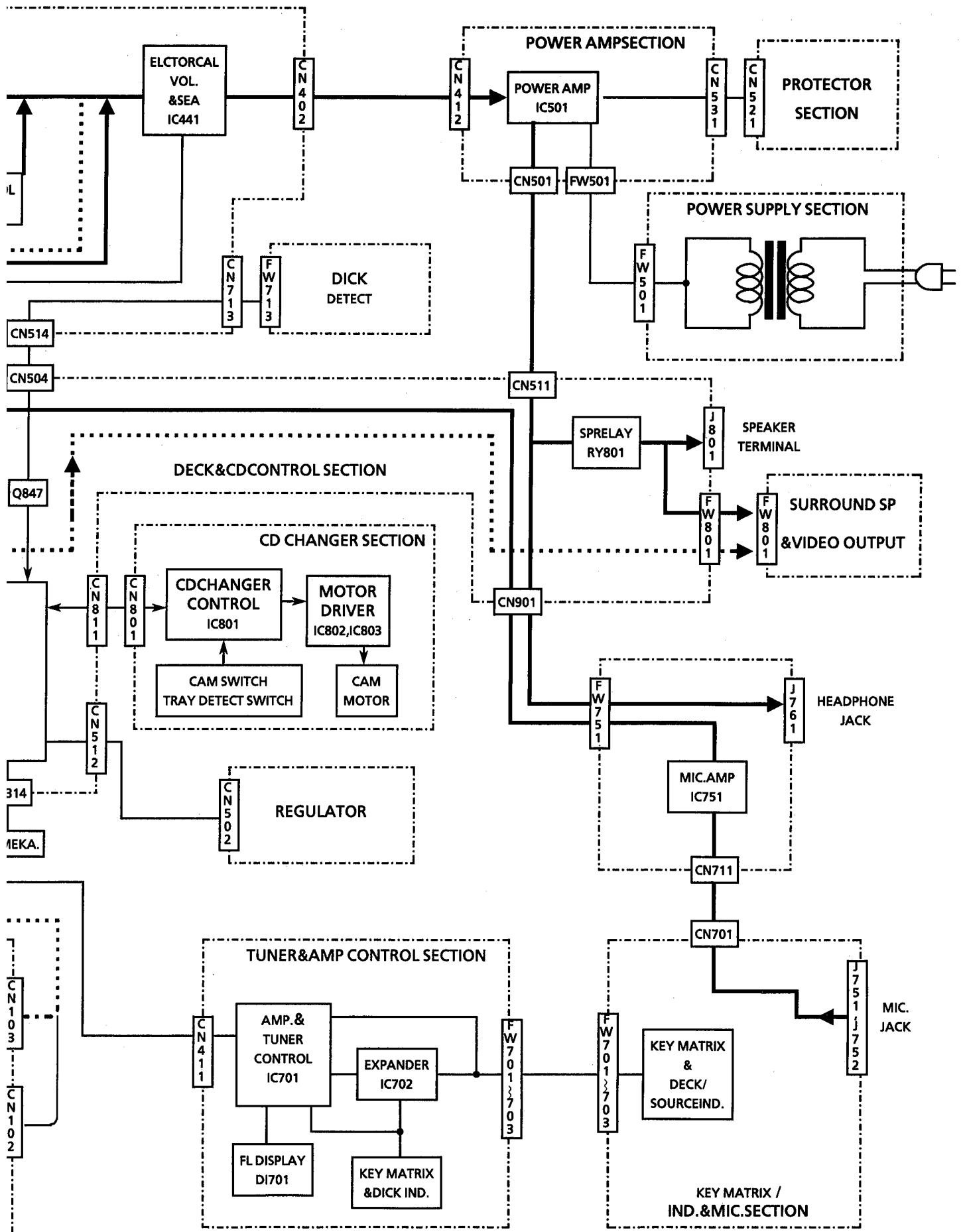
)

)



# Block Diagram





# Schematic Diagrams

## ■ Power Primary Section


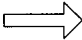


### VERSION CODES

UB : HONGKONG  
 US : SINGAPORE  
 UT : TAIWAN  
 U : UNIVERSAL EXCEPT ALL OF ABOVE

### EXPLANATION OF OVERALL OF SCHEMA. MODEL CA-V805T

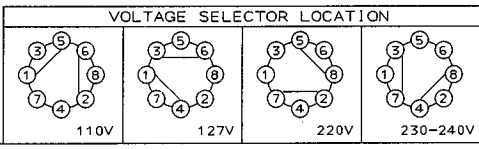
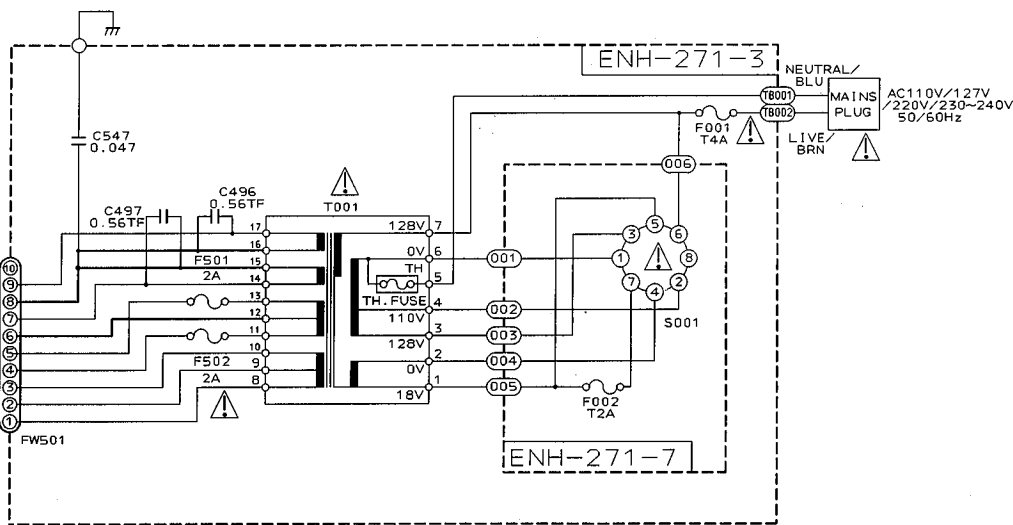
| SHEET NUMBER | MODEL NUMBERS TO BE APPLIED | CIRCUITS DESCRIPTION  |
|--------------|-----------------------------|---|
| 1/7          | CA-V805T                    | · PRIMARY WITH MAINS TRANSFORMER  |
| 2/7          | CA-V805T                    | · DC REGULATORS/AUDIO OUTPUT<br>· TAPE DECK MECHANISMS CONTROL<br>· SYSTEM CONTROL LSI FOR TAPE DECK CD                       |
| 3/7          | CA-V805T                    | · EXTERNAL SIGNAL INPUT<br>· SOURCE SELECTOR SWITCH/DSP/TUNER IF/FM MULTIPLE  |
| 4/7          | CA-V805T                    | · FL DISPLAY/USER CONTROL KEYS/SYSTEM CONTROL L:<br>MIC AMPLIFIER   |
| 5/7          | CA-V805T                    | · MISCELLANEOUS CIRCUITS FOR TAPE DECK SUCH AS<br>AMPLIFIER, SWITCH, BIAS AND OTHERS /DIGITAL PRO<br>AND SERVO FOR AUDIO DISC |
| 6/7          | CA-V805T                    | · SYSTEM CONTROL LSI FOR VIDEO CD, CD GRAPHICS  |
| 7/7          | CA-V805T                    | · AUDIO DISC MECHANISMS CONTROL   |

NOTES:  
 MARK (\*) IS TO SHOW DEVIATION IN VERSIONS.  
 DETAILS ARE EXPLAINED NEAR THE MARK.

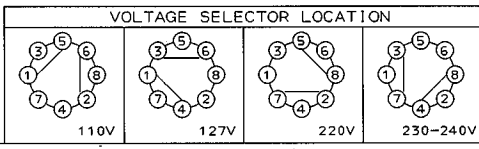
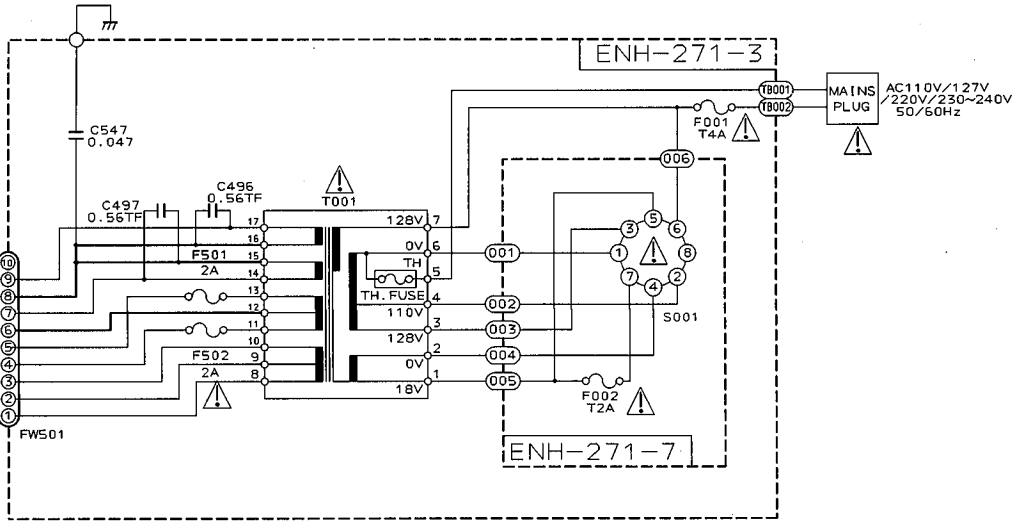
1.  indication main signal path.
2.  indication recording signal path.
3.  indication video signal path.
4. When replacing the parts in the  
 made ,  
 be sure to use the designated parts to  
 ensure safety.
5. The design and contents are subject to  
 change without notice.



POWER SUPPLY SECTION  
U/UB/US



UT

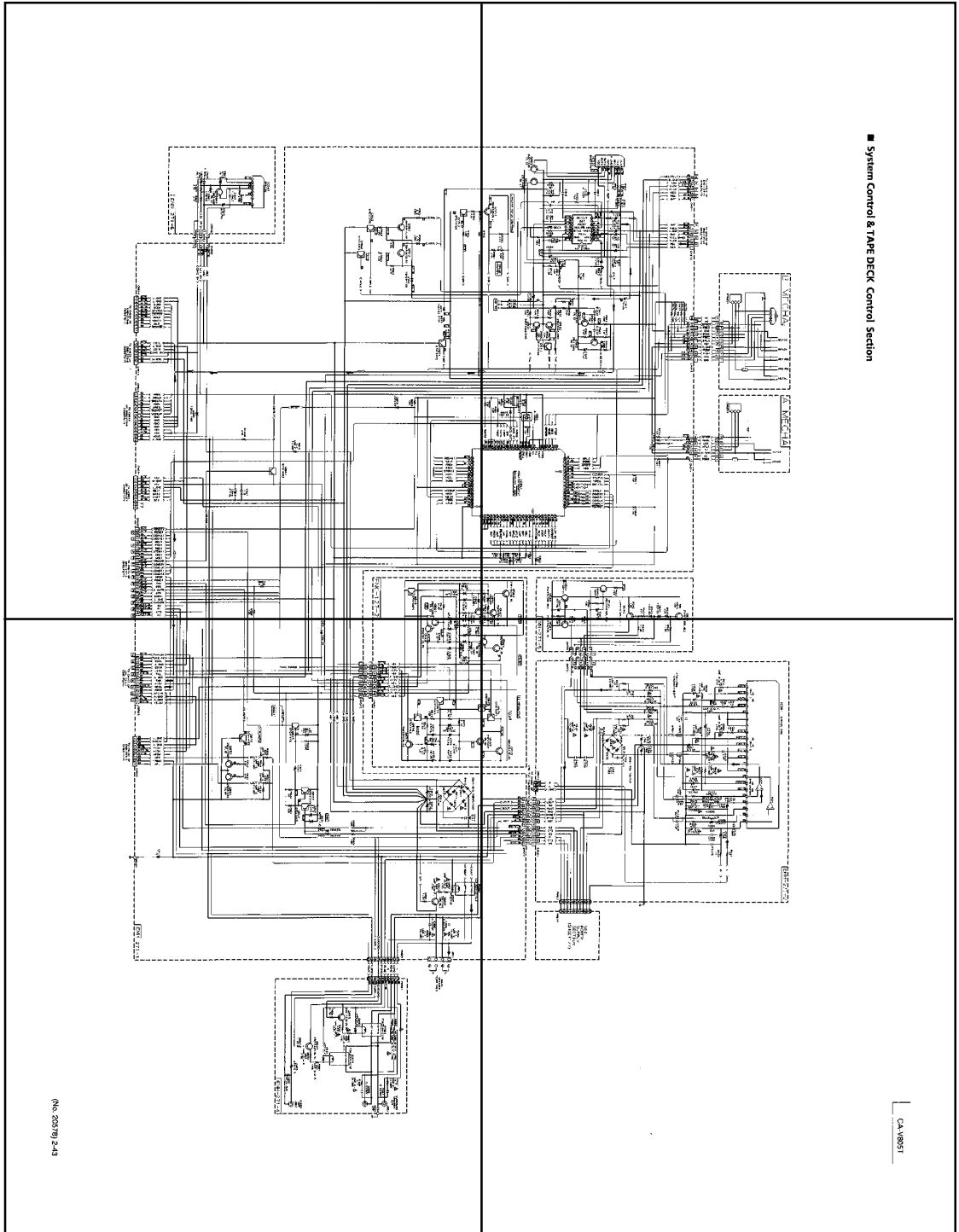


LTIPLEX  
OL LSI/  
AS PROCESSOR  
CS



P2-43-a

P2-43-b



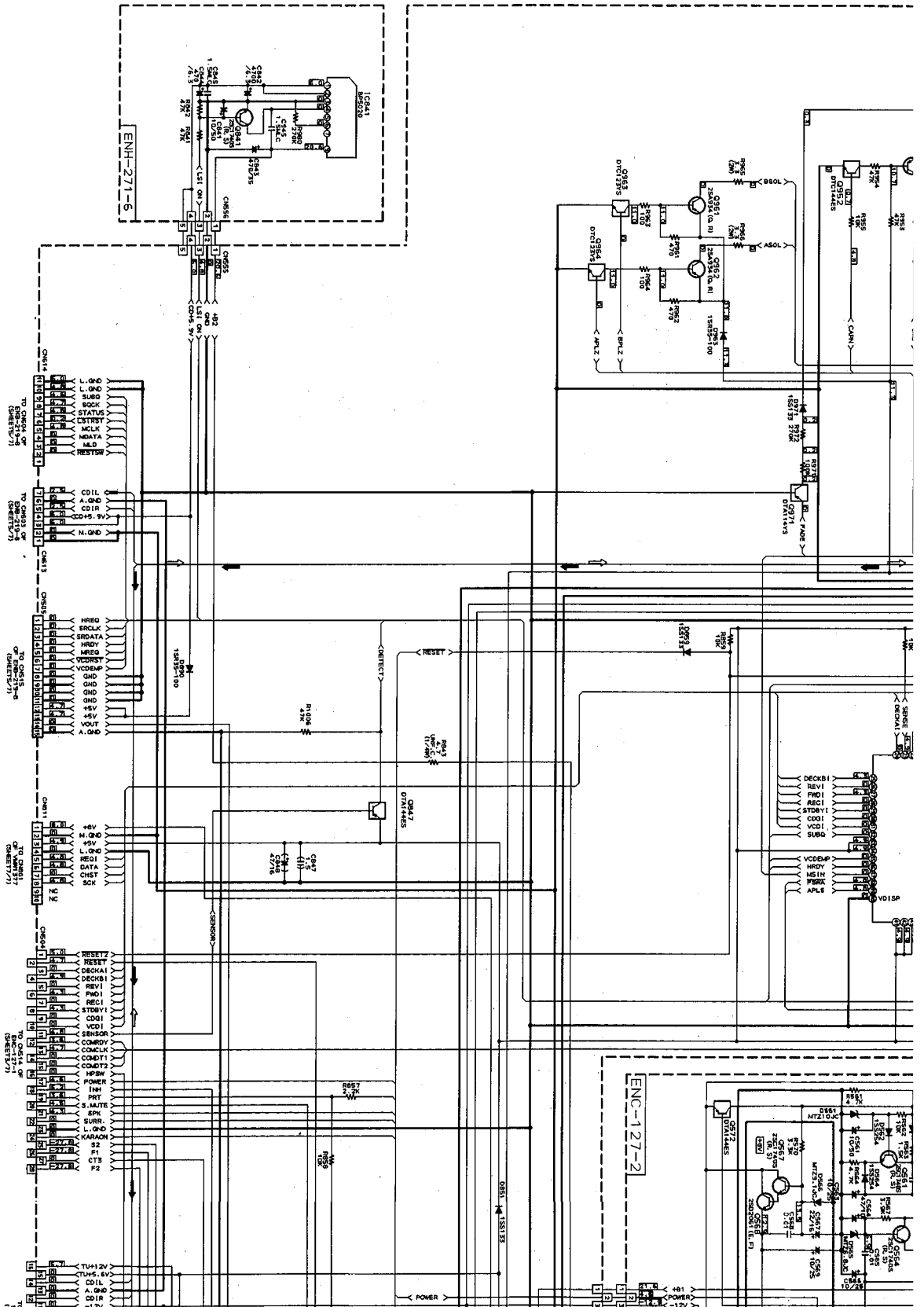
■ System Control & TAPE DECK Control Section

CA-1885T

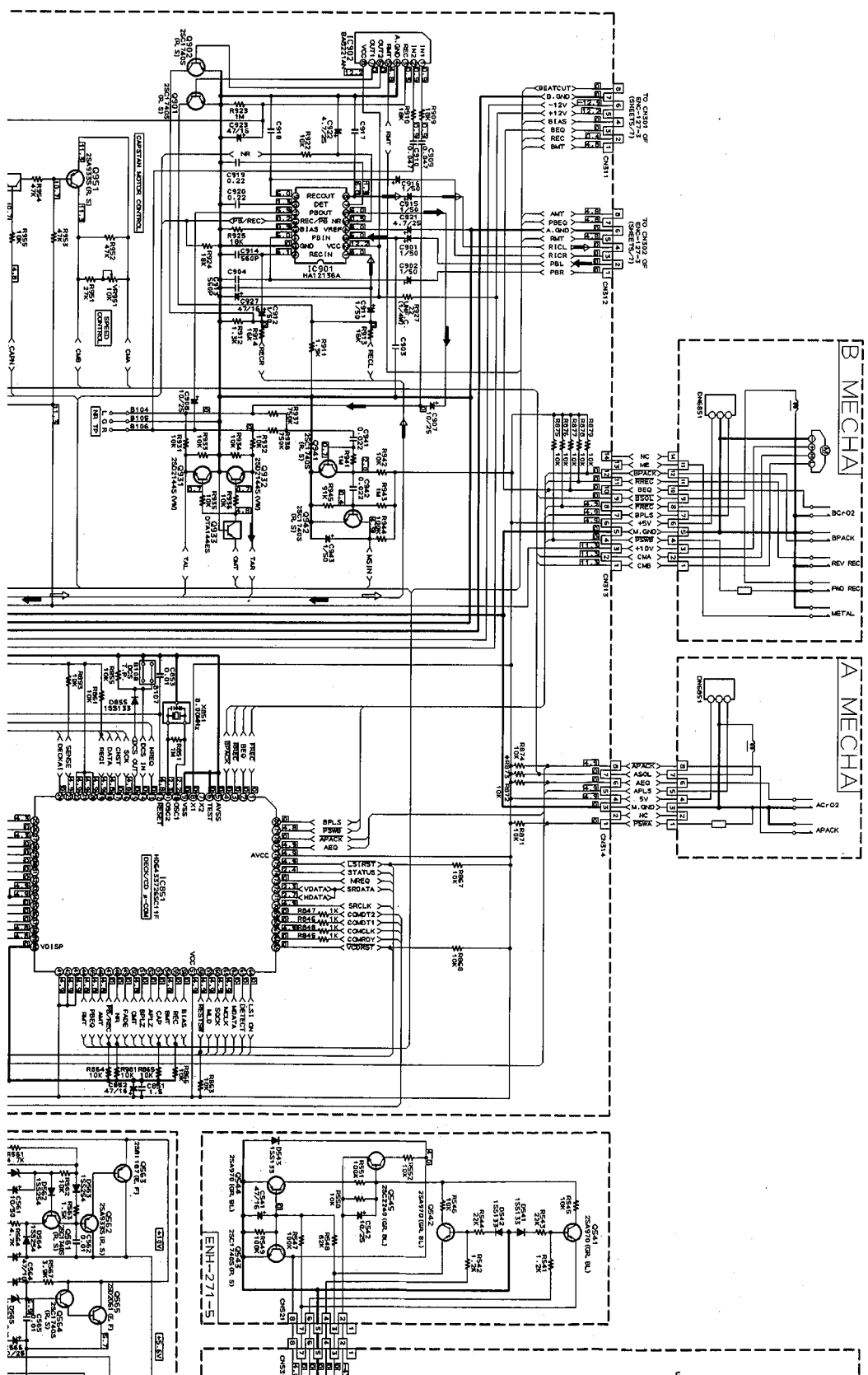
(No. 20377) 2-43

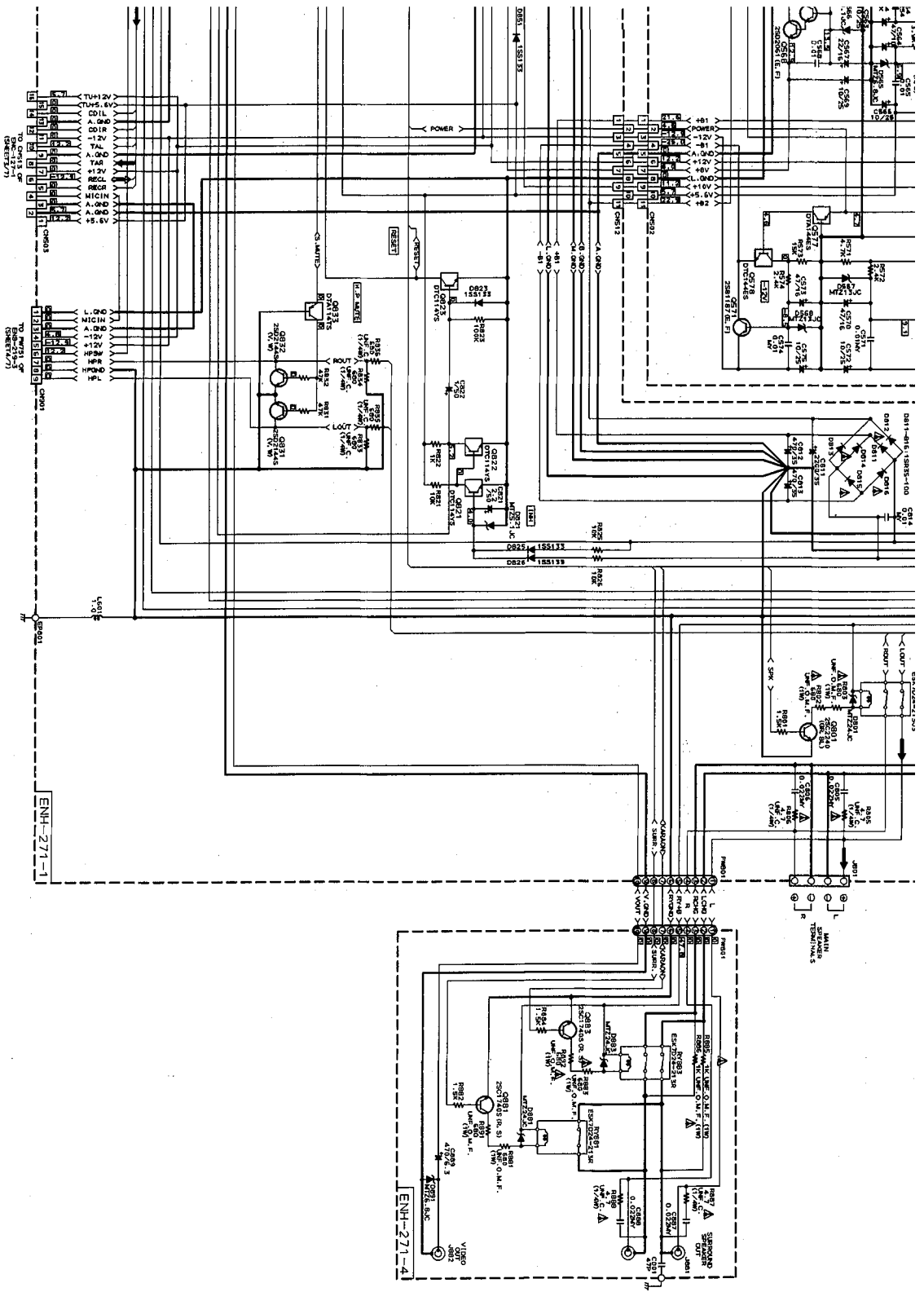
P2-43-c

P2-43-d

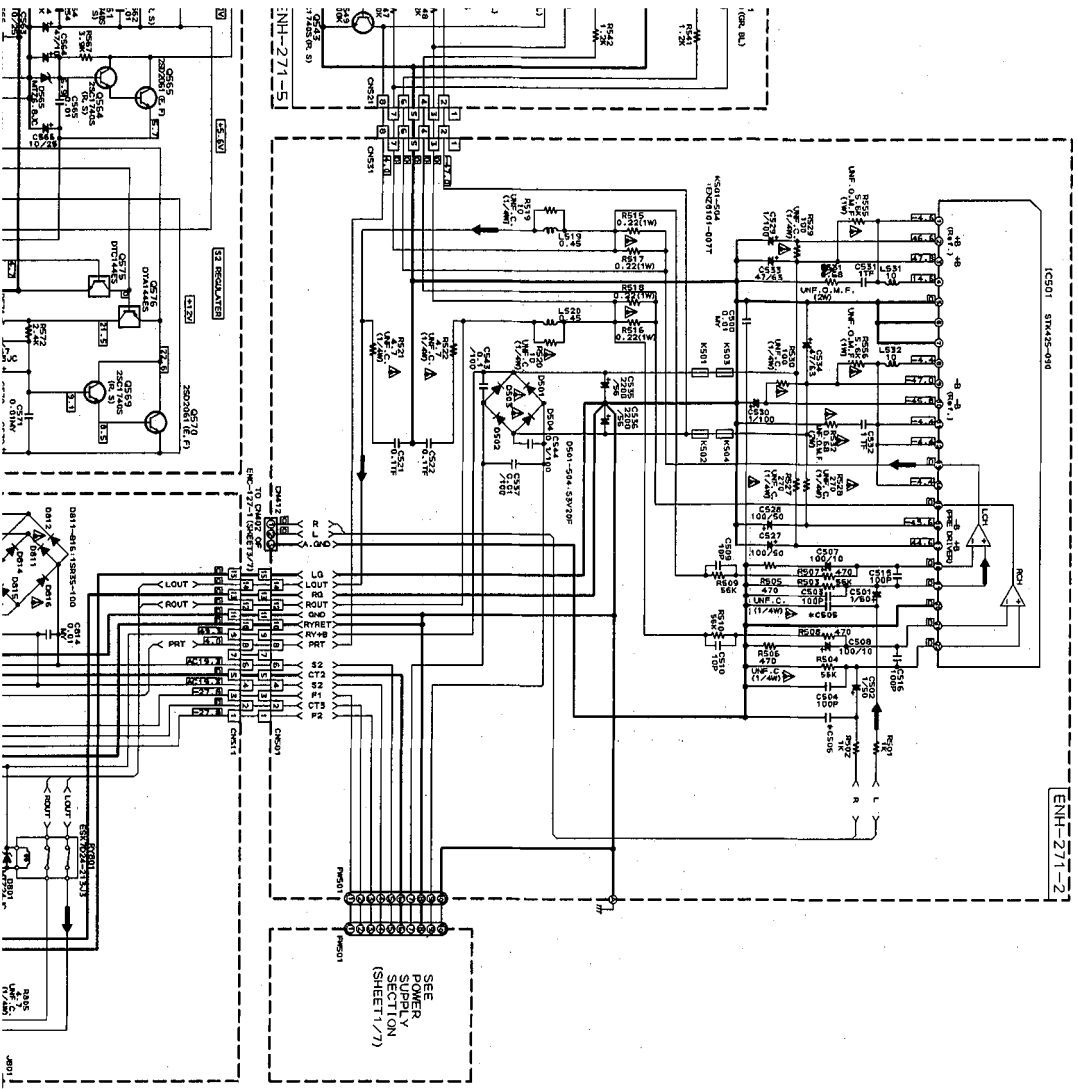


■ System Control & TAPE DECK Control Section





(No. 20578) 2-43

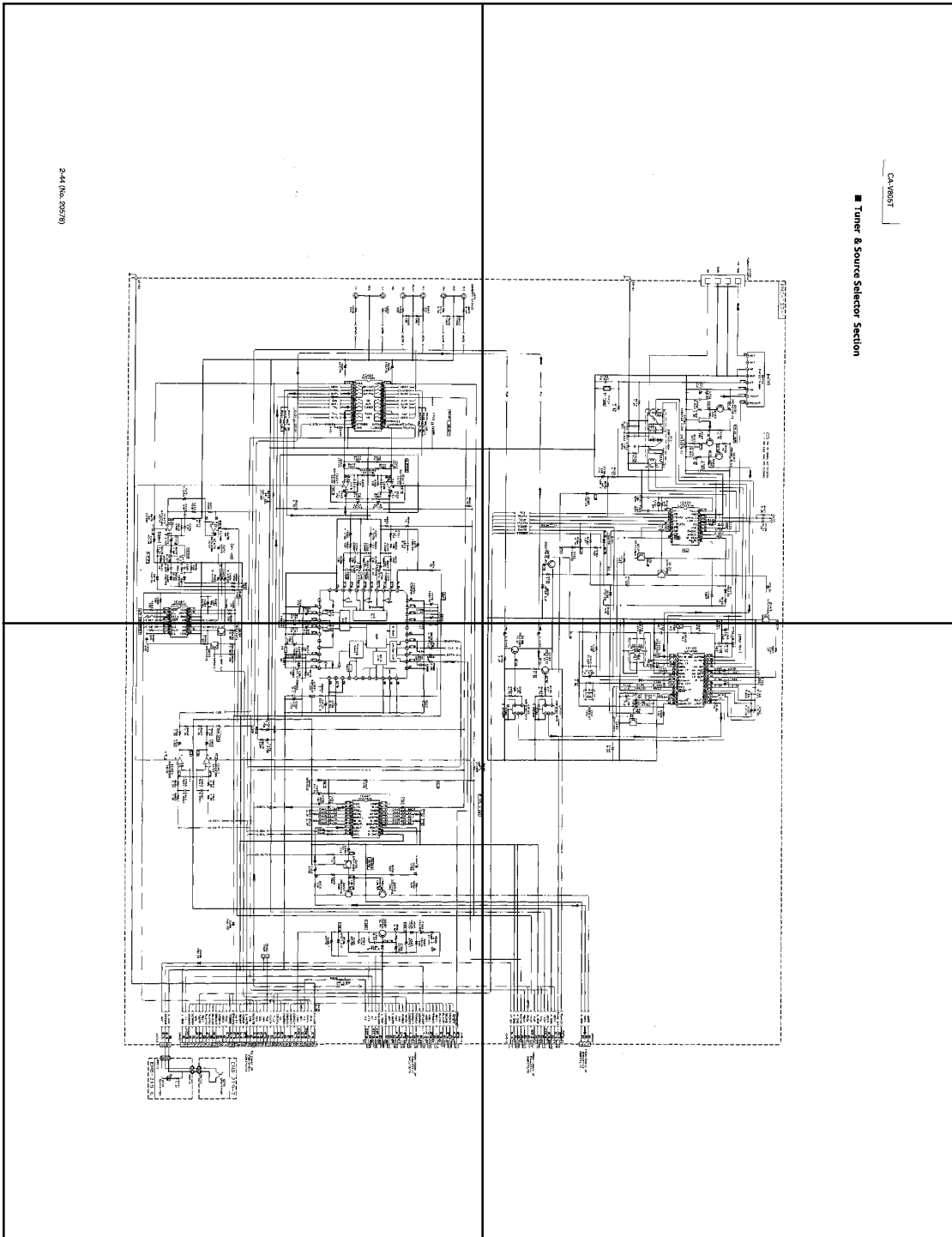






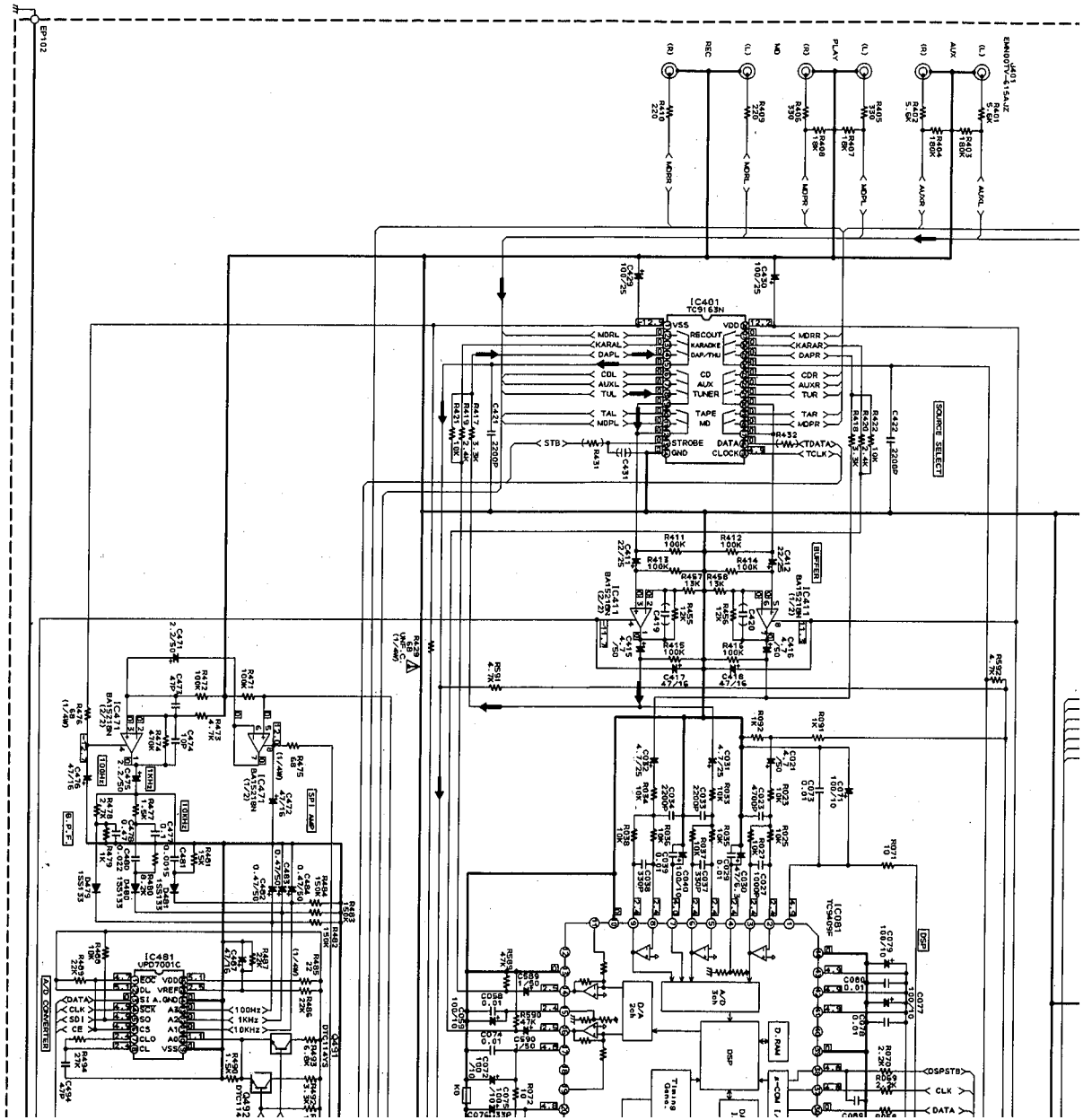
P2-44-a

P2-44-b

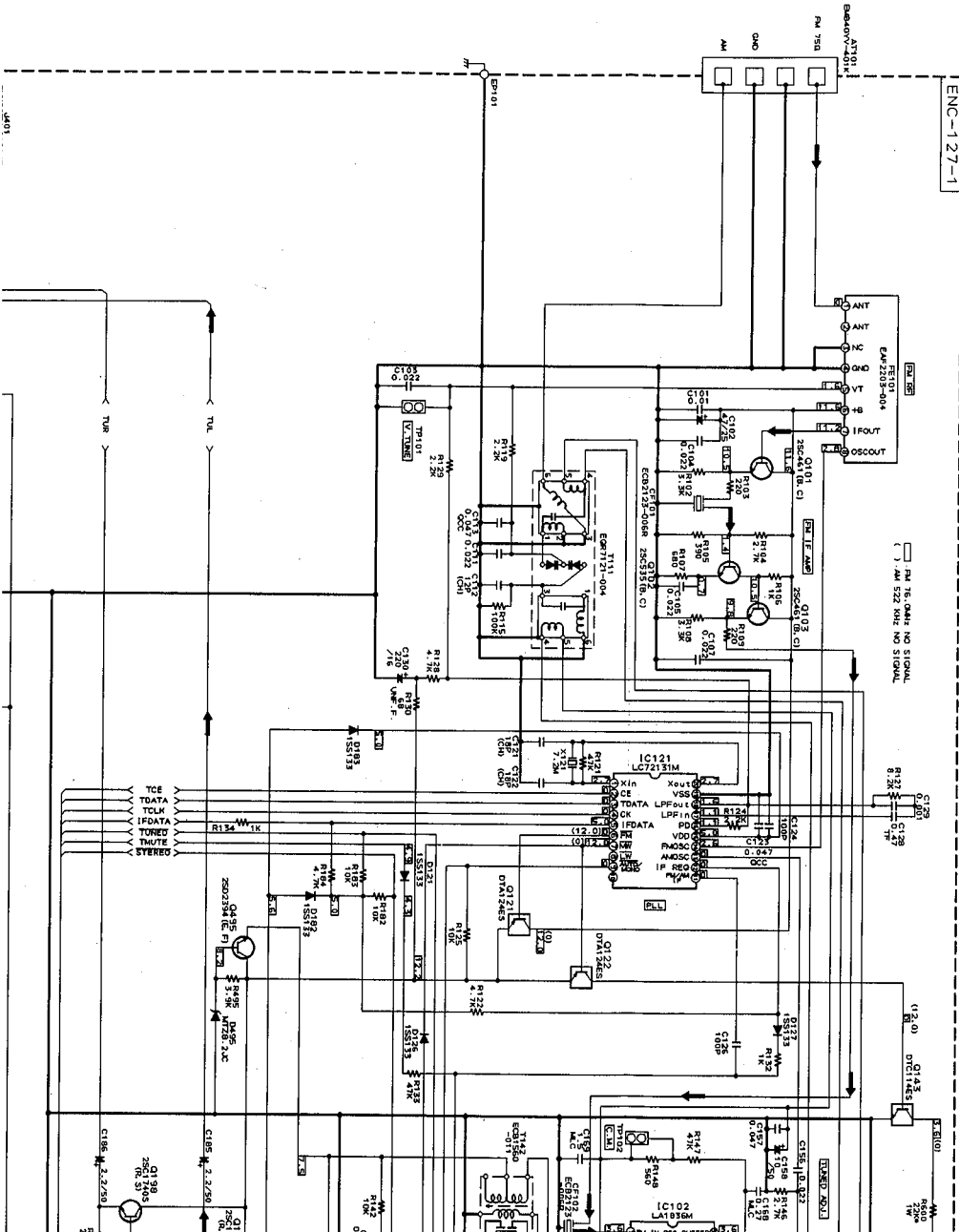


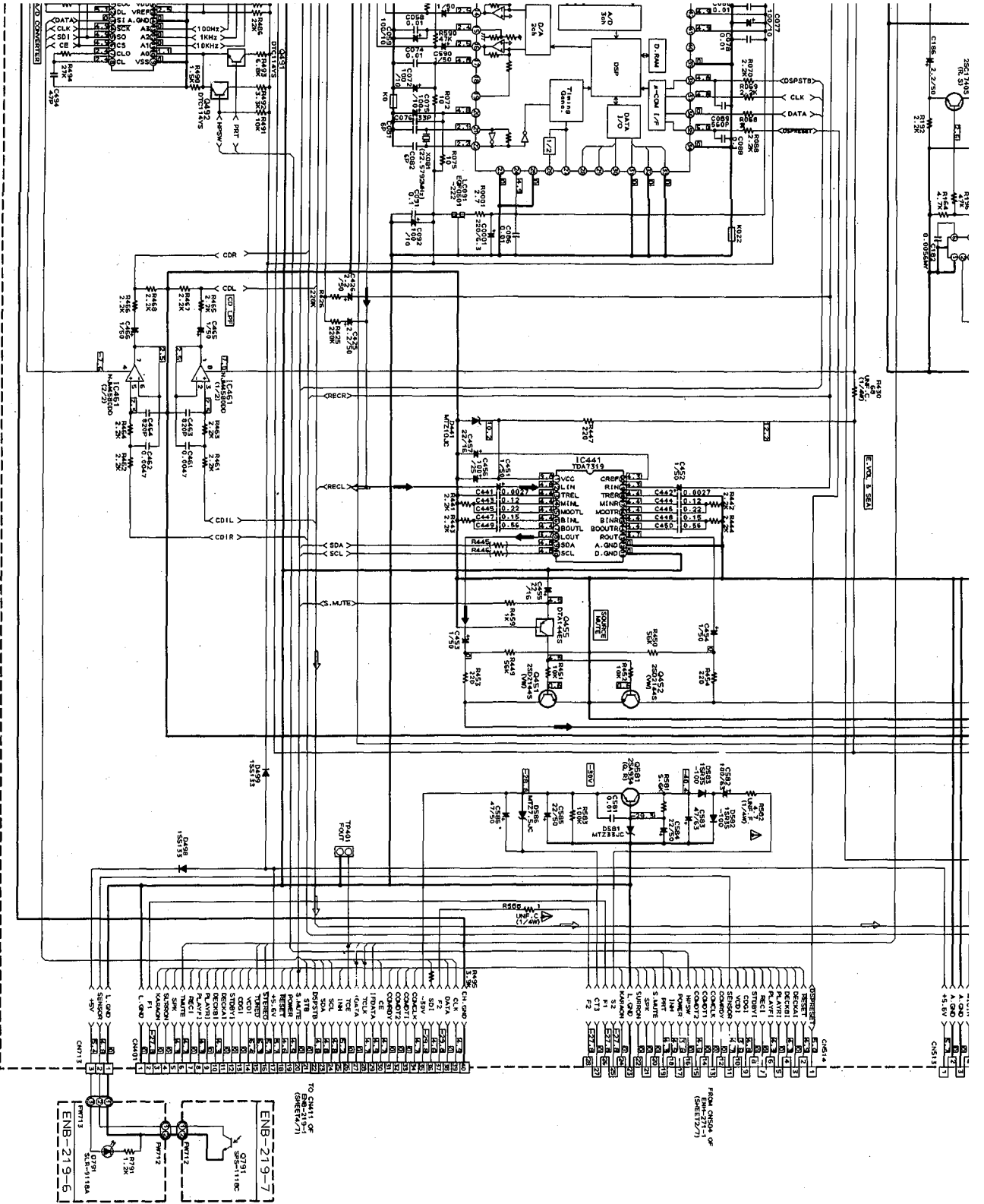
P2-44-c

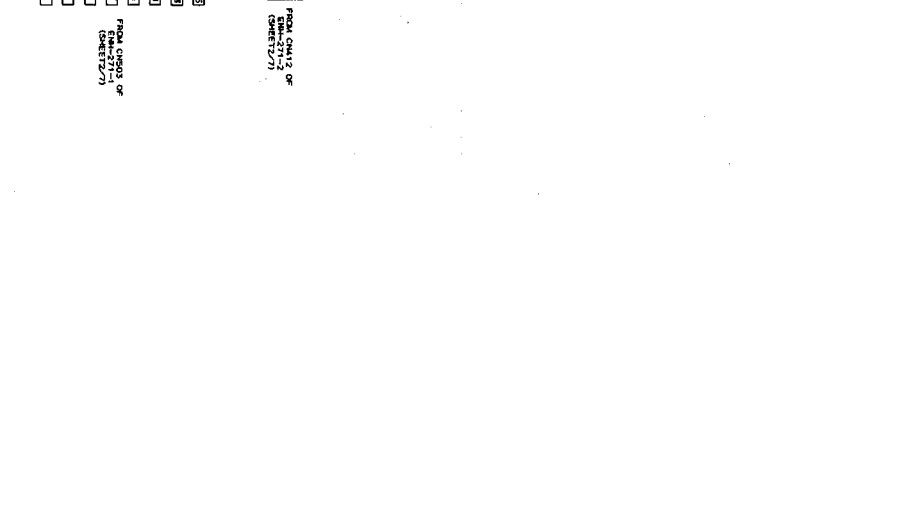
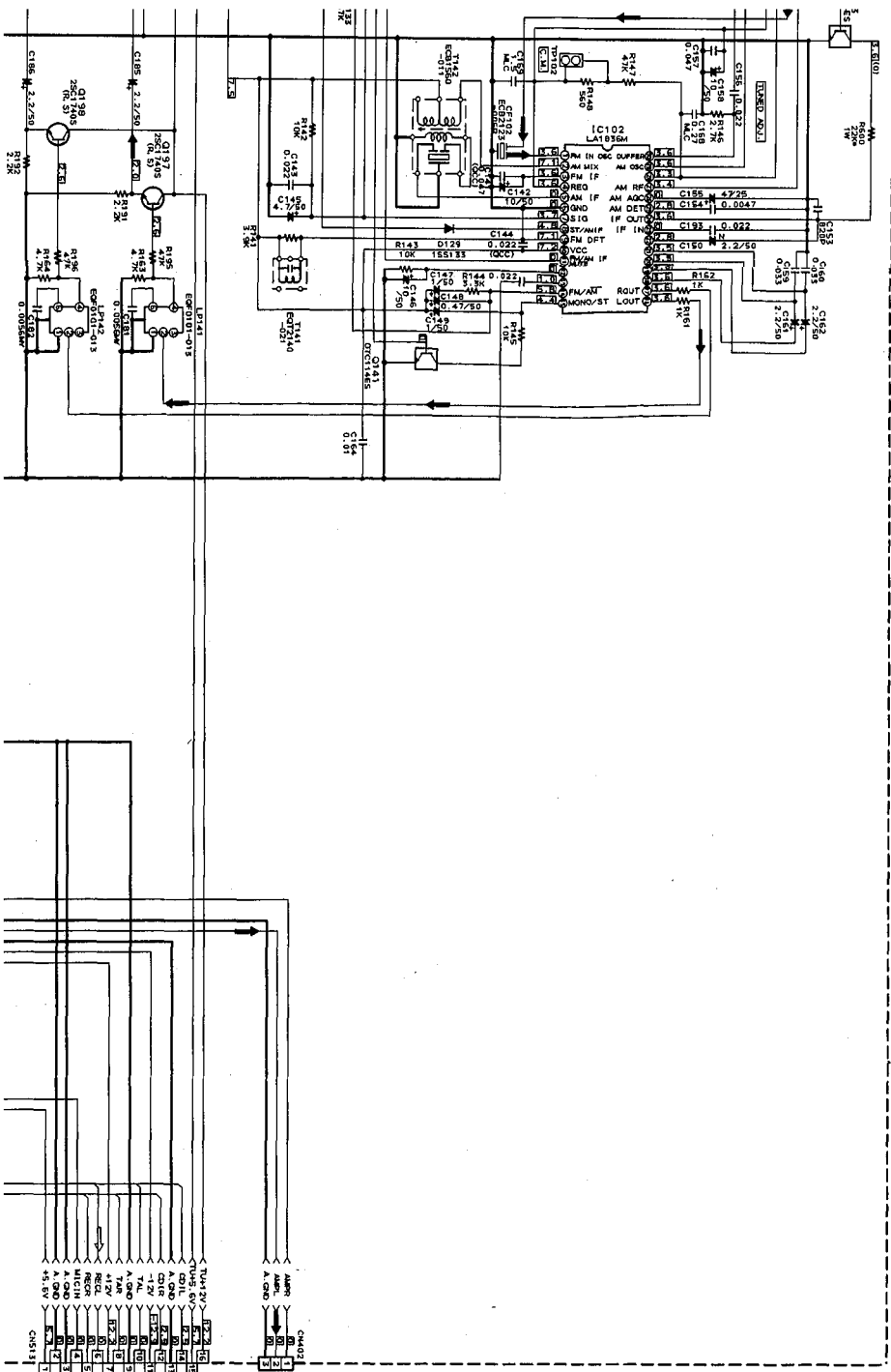
P2-44-d



### Tuner & Source Selector Section



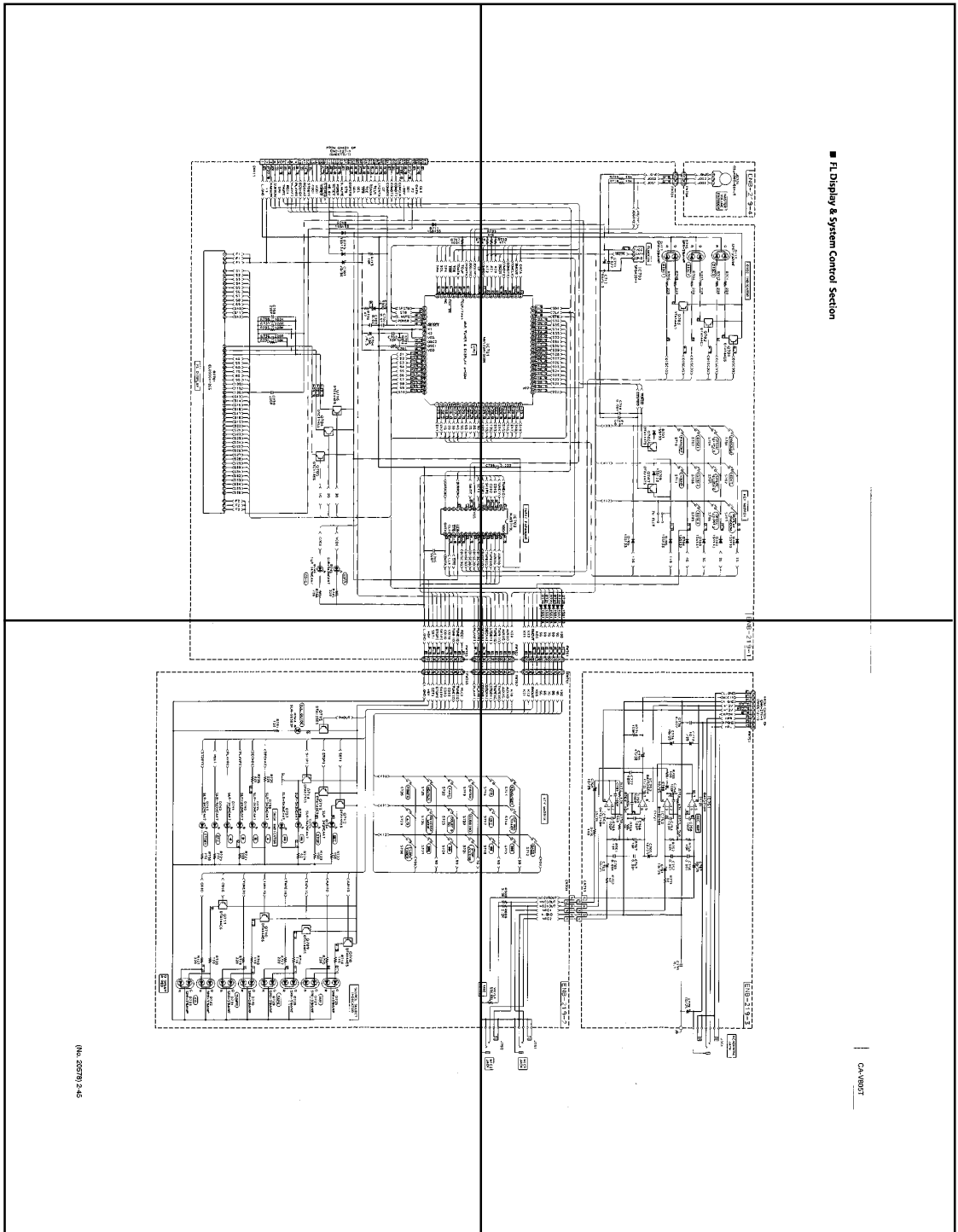






P2-45-a

P2-45-b



■ Flight Display & System Control section

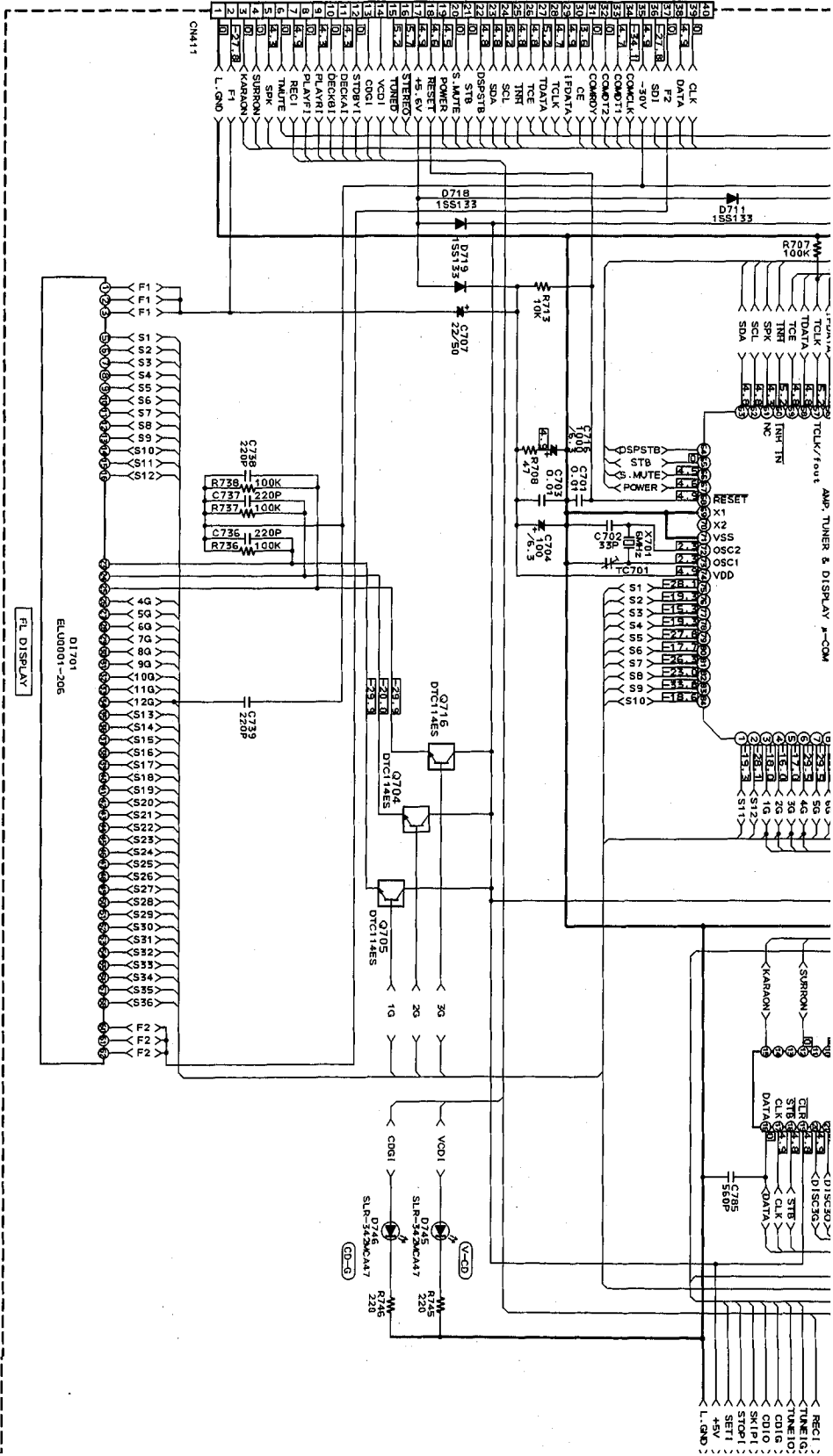
CAW/BJT

(Rev. 2025/12-45)

P2-45-c

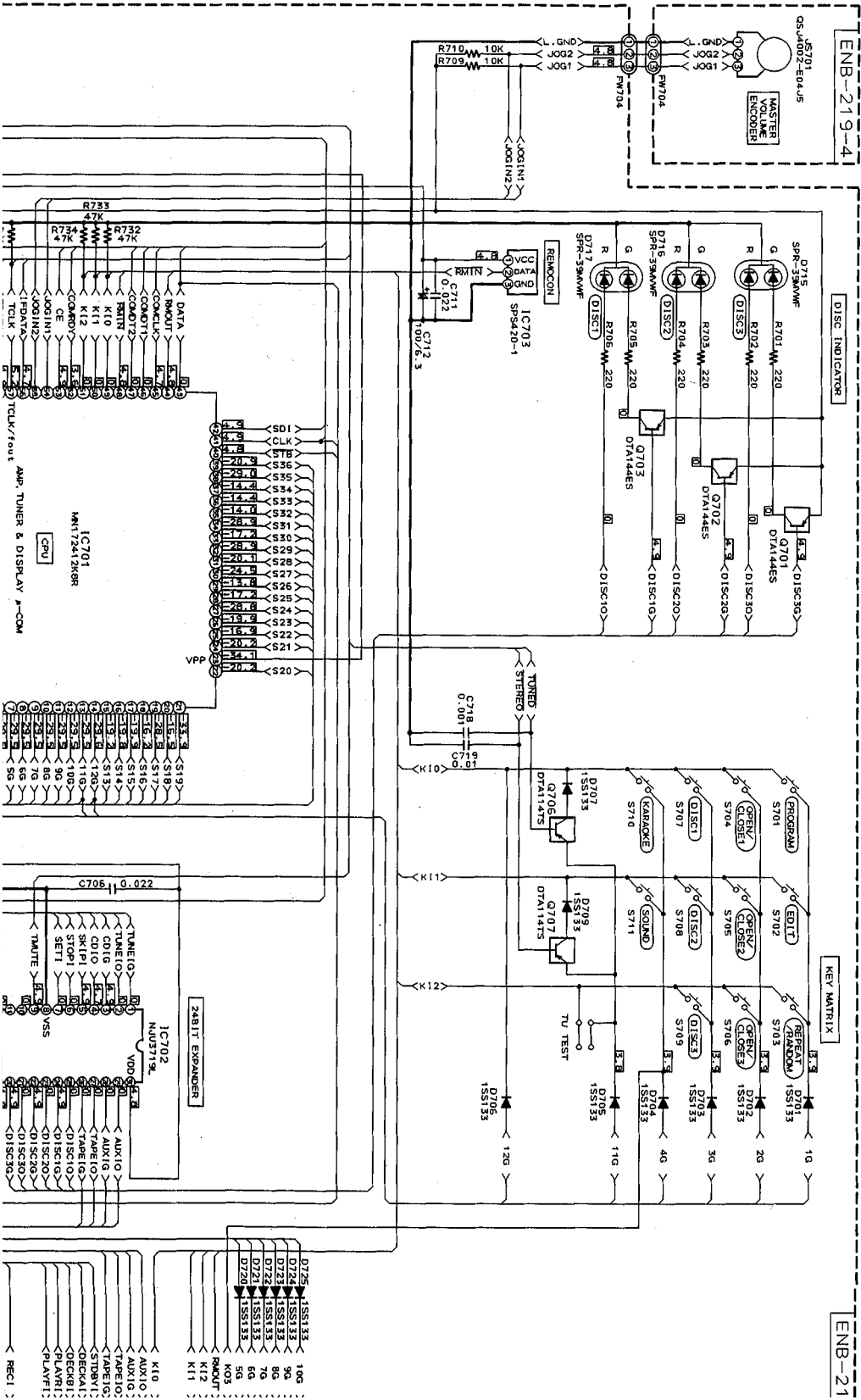
P2-45-d

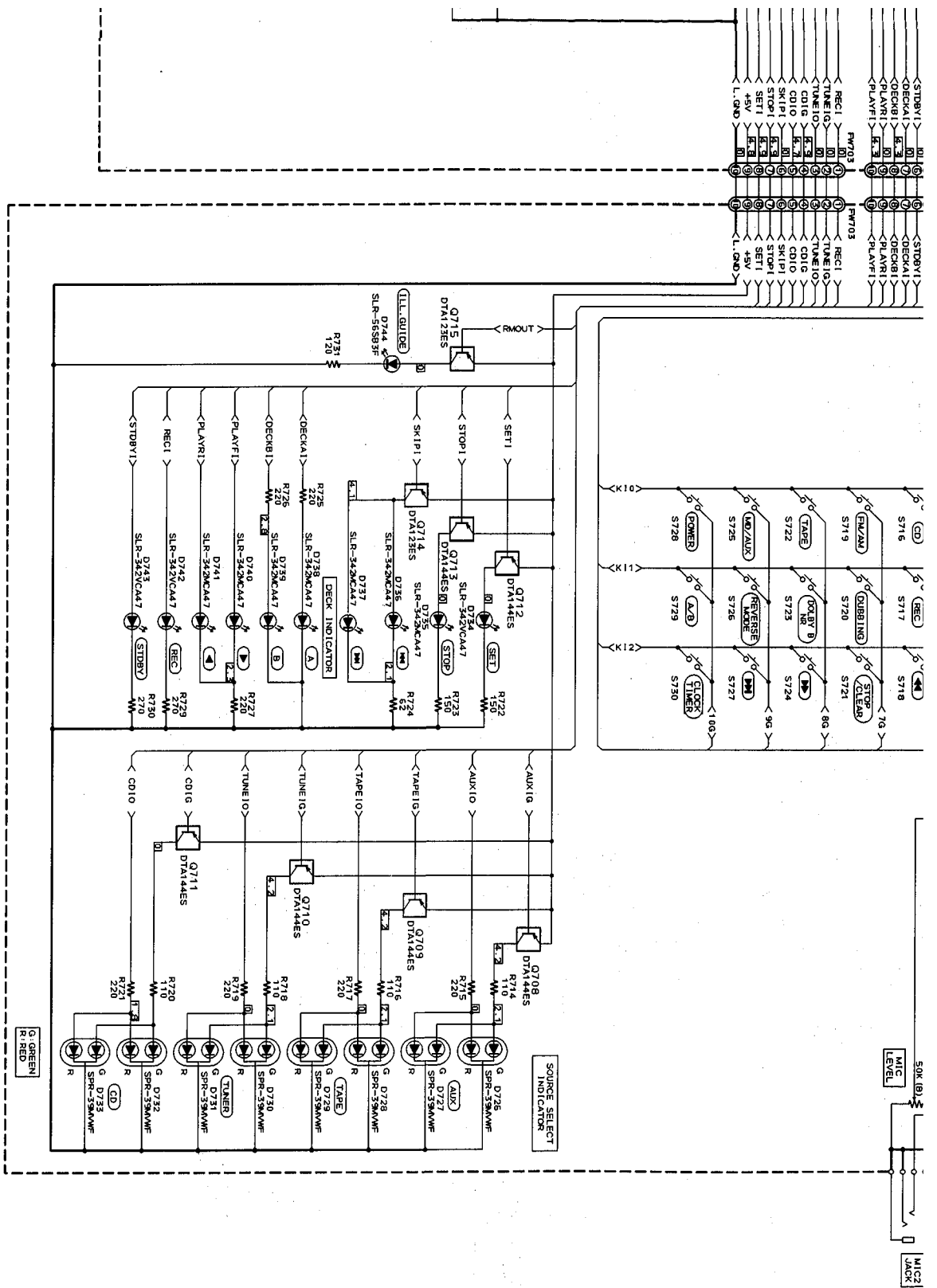
FROM CN401 OF  
ENC-1A21  
(SHEET 3/7)



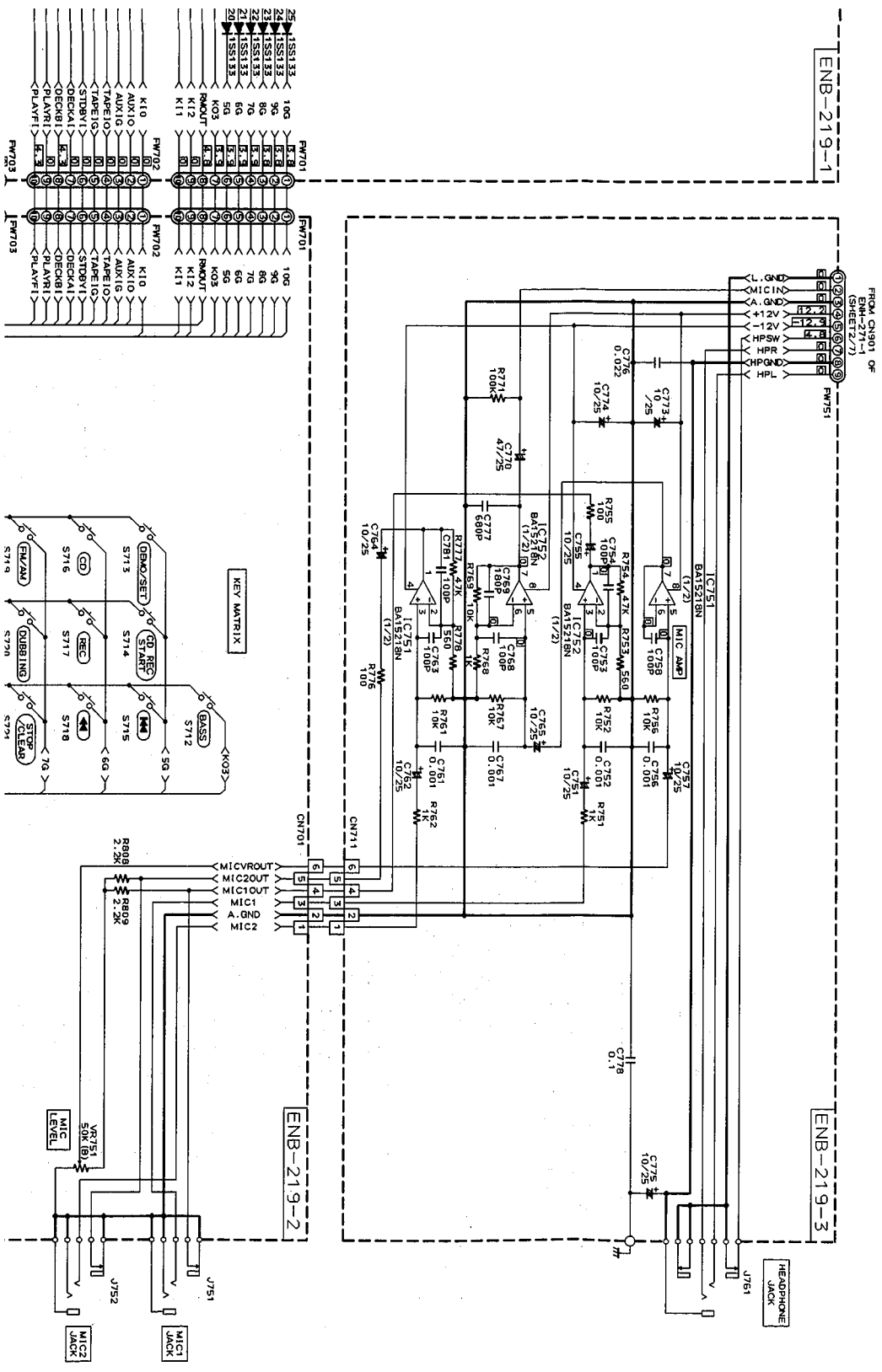


# FL Display & System Control Section





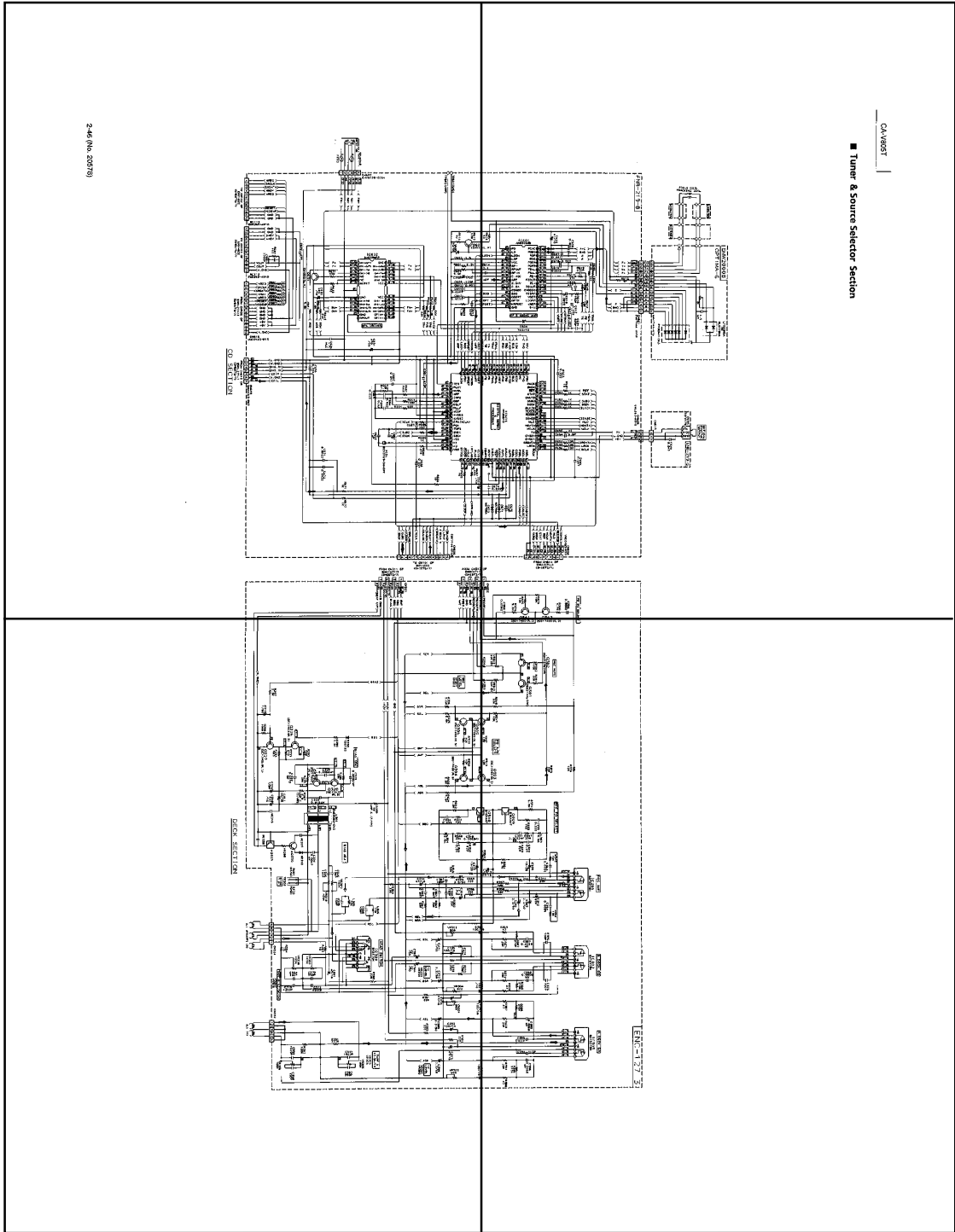
(No. 20578) 2-45





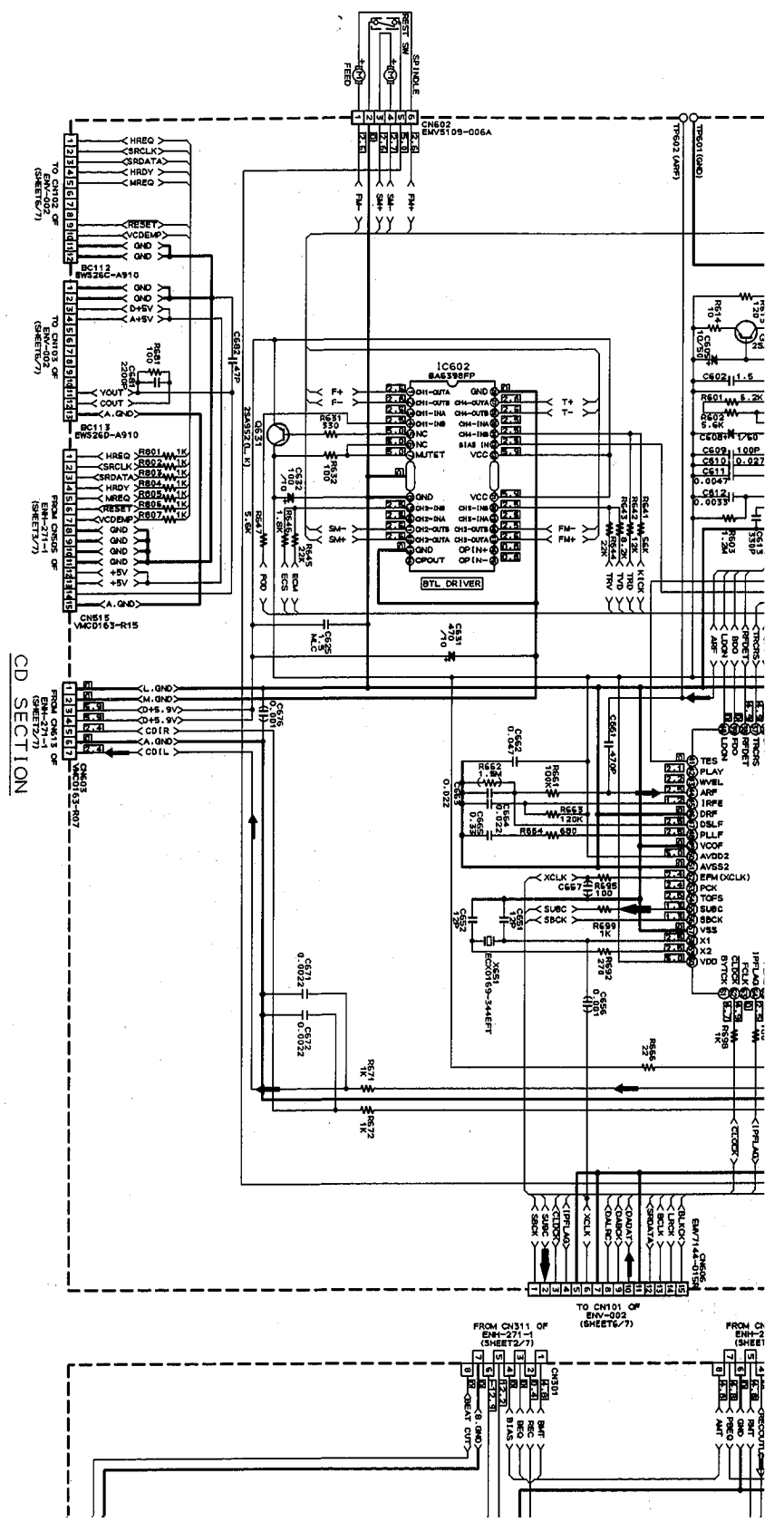
P2-46-a

P2-46-b



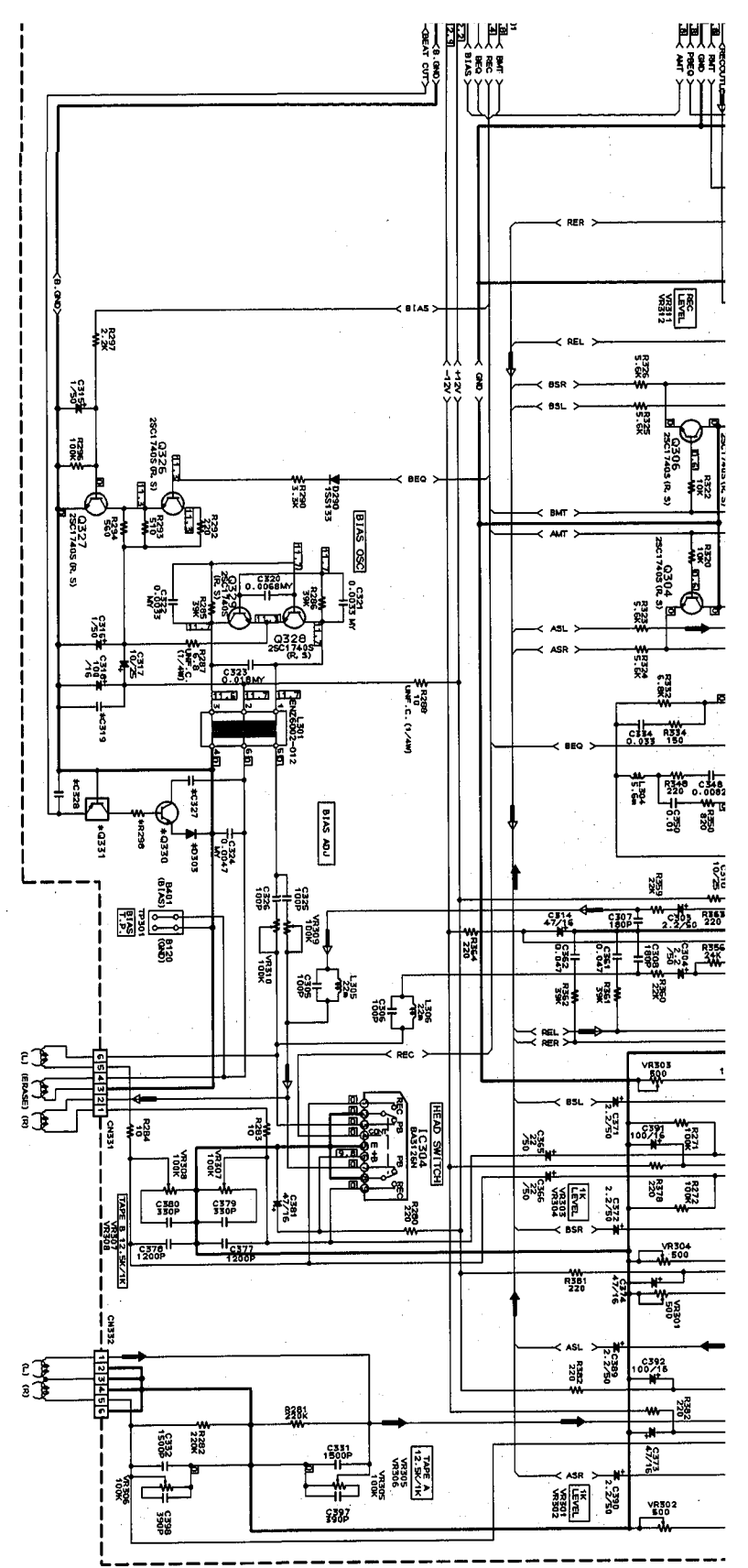
P2-46-c

P2-46-d

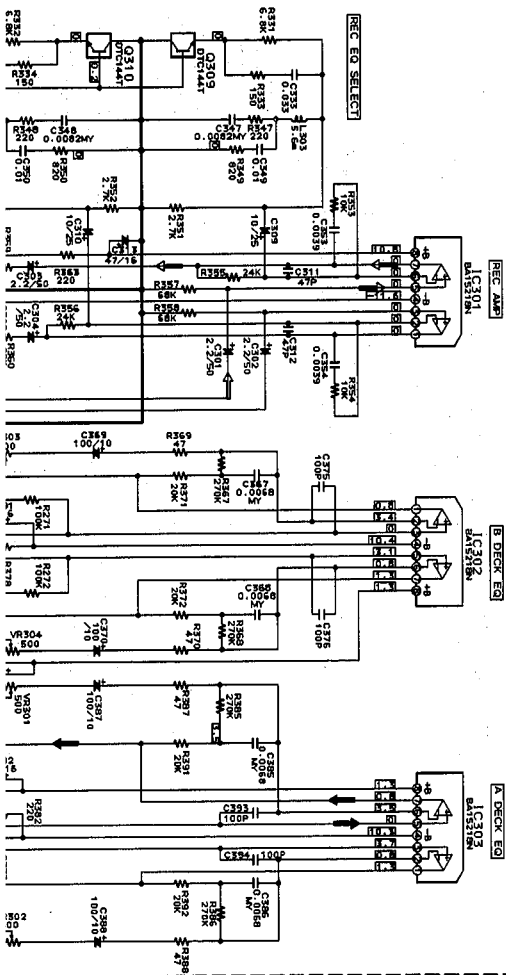
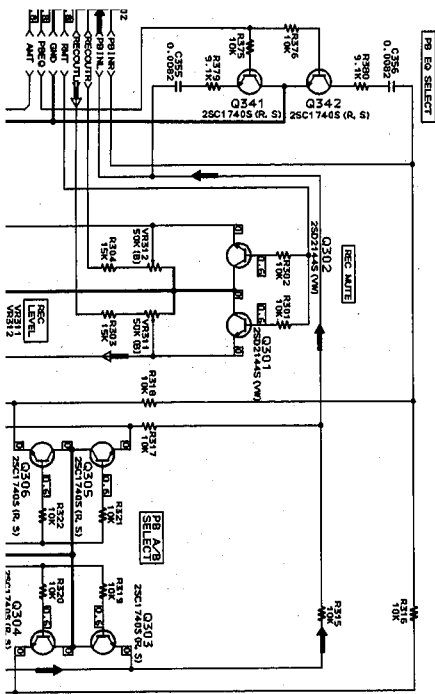




DECK SECTION





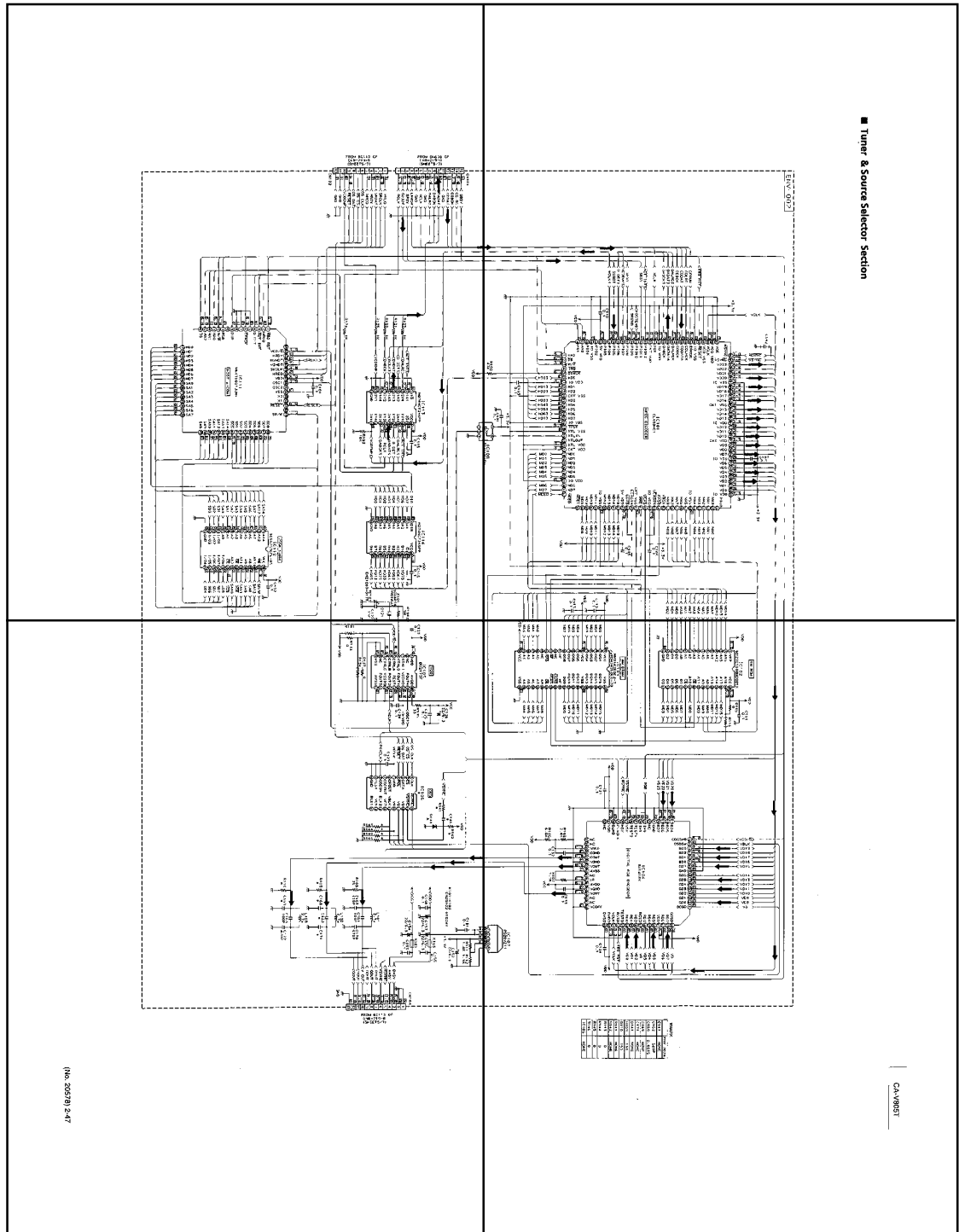


ENC-127-3



P2-47-a

P2-47-b



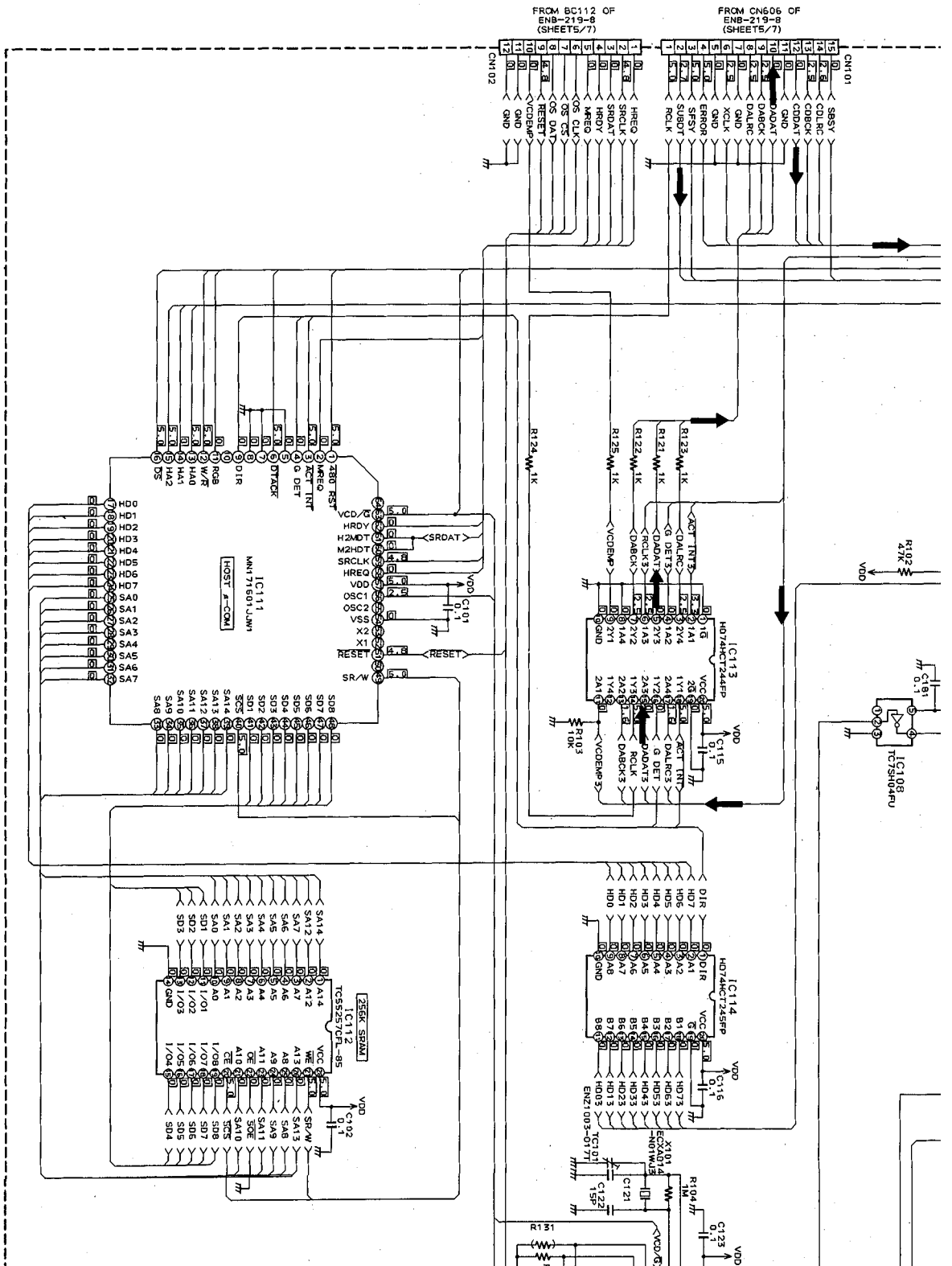
■ Tuner & Source Selector Section

CA-W8BT

IMP. 2020/247

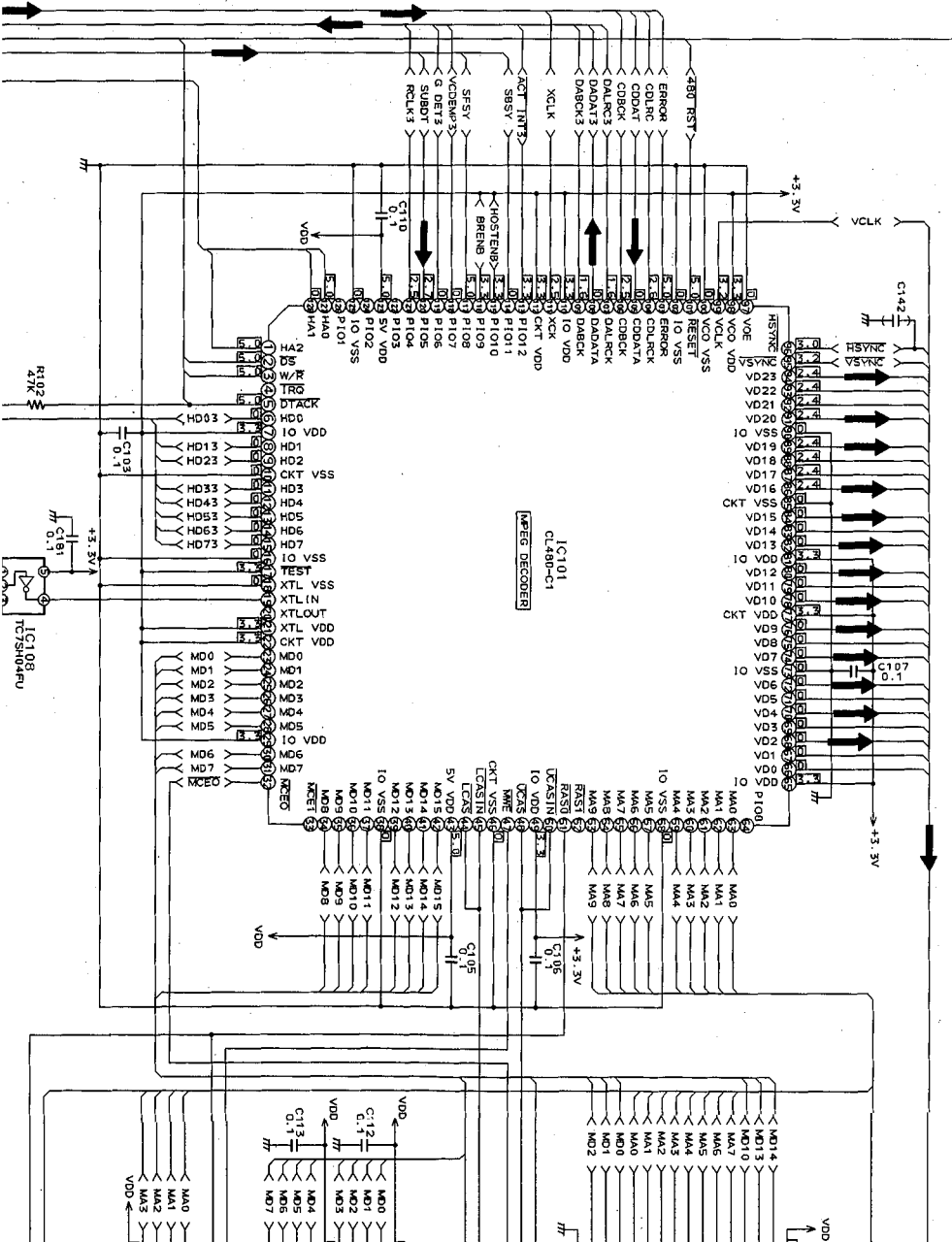
P2-47-c

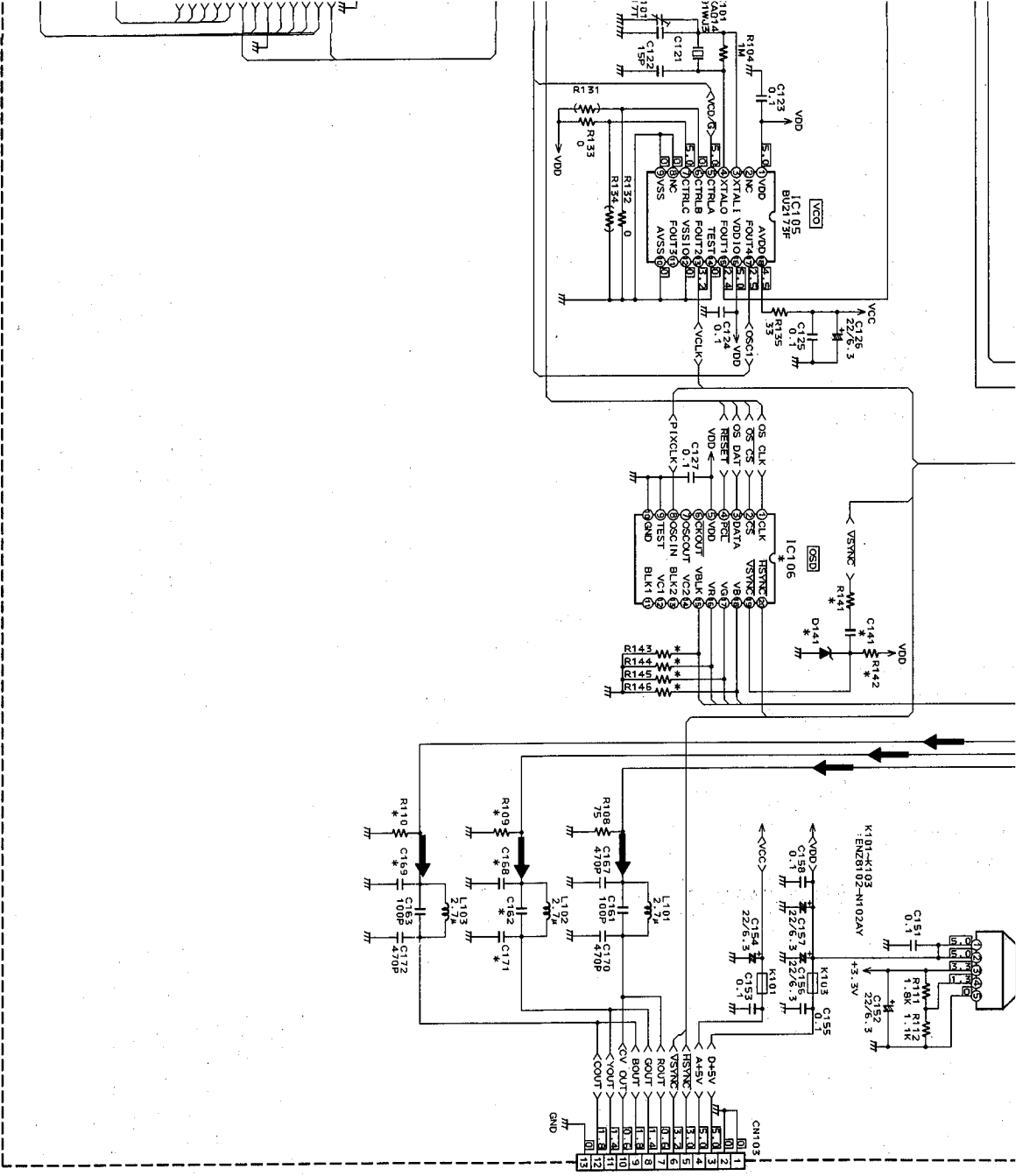
P2-47-d



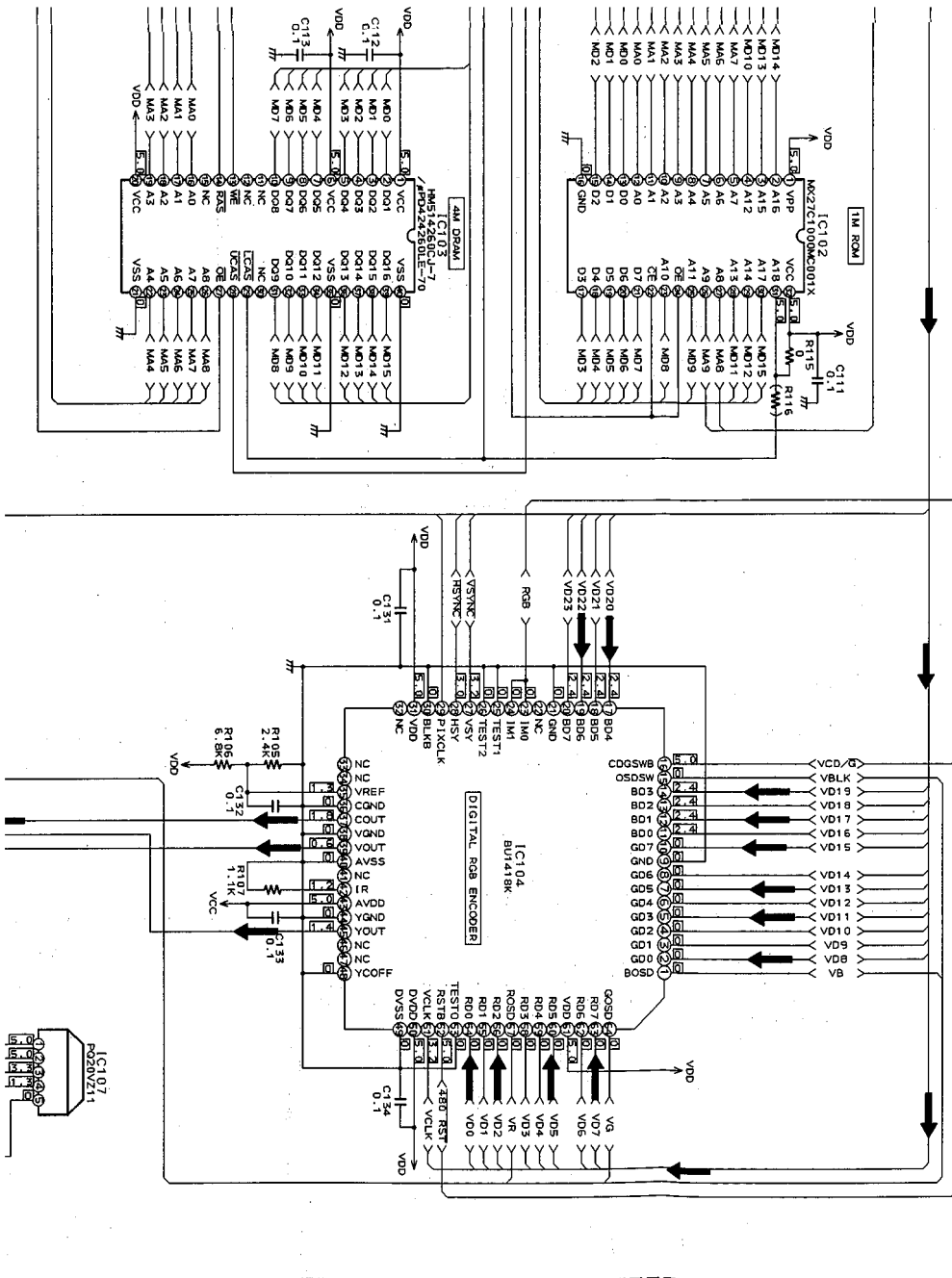
■ Tuner & Source Selector Section

ENV-002





(No. 20578) 2-47



| MARK  | ENV-002A |
|-------|----------|
| C141  | NONE     |
| C182  | EB0P     |
| C188  | 0.0015   |
| C189  | NONE     |
| C171  | NONE     |
| D141  | NONE     |
| R109  | 110      |
| R141  | NONE     |
| R110  | 150      |
| R142  | NONE     |
| R143  | 0        |
| R144  | 0        |
| R145  | 0        |
| R146  | 0        |
| IC106 | NONE     |





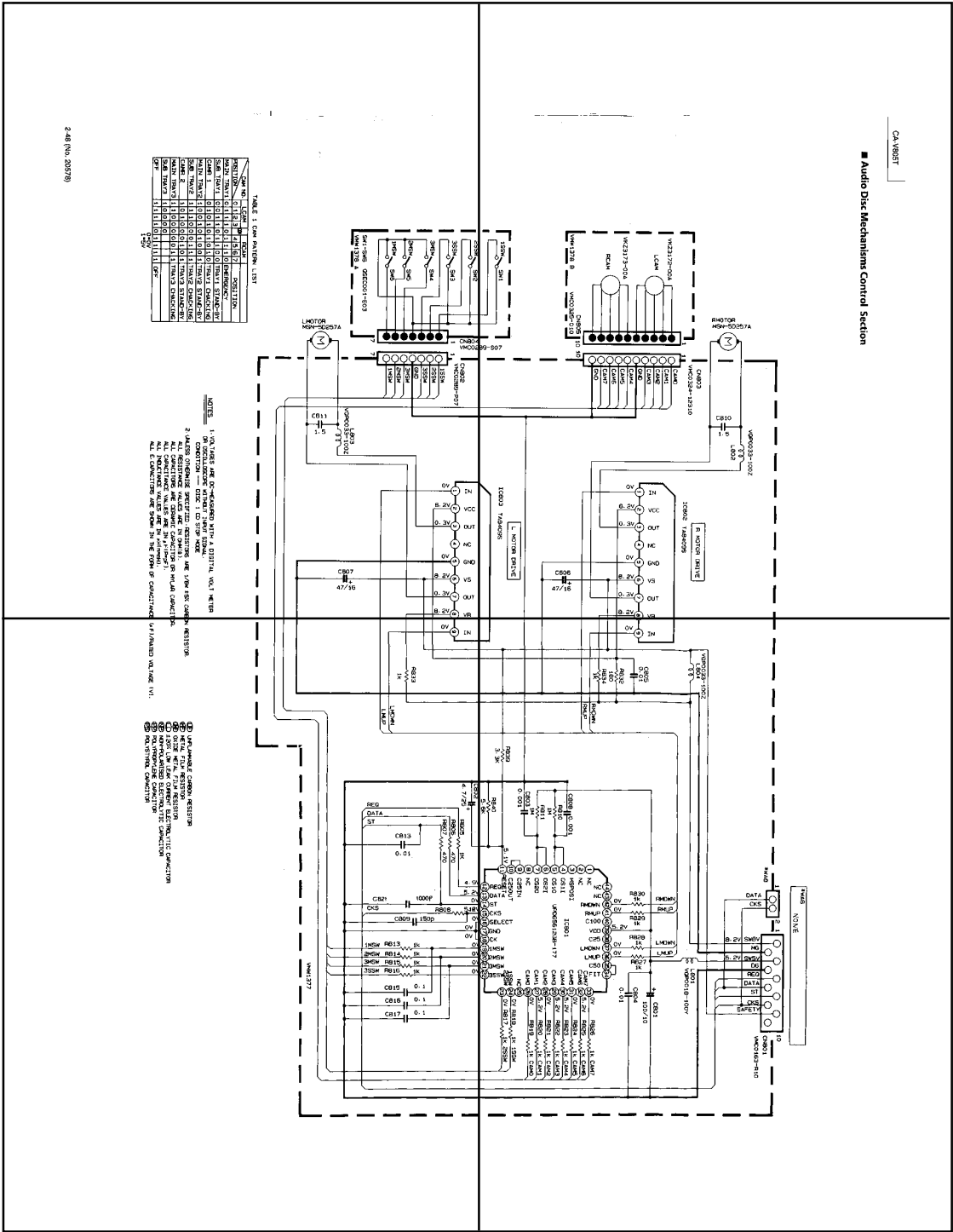
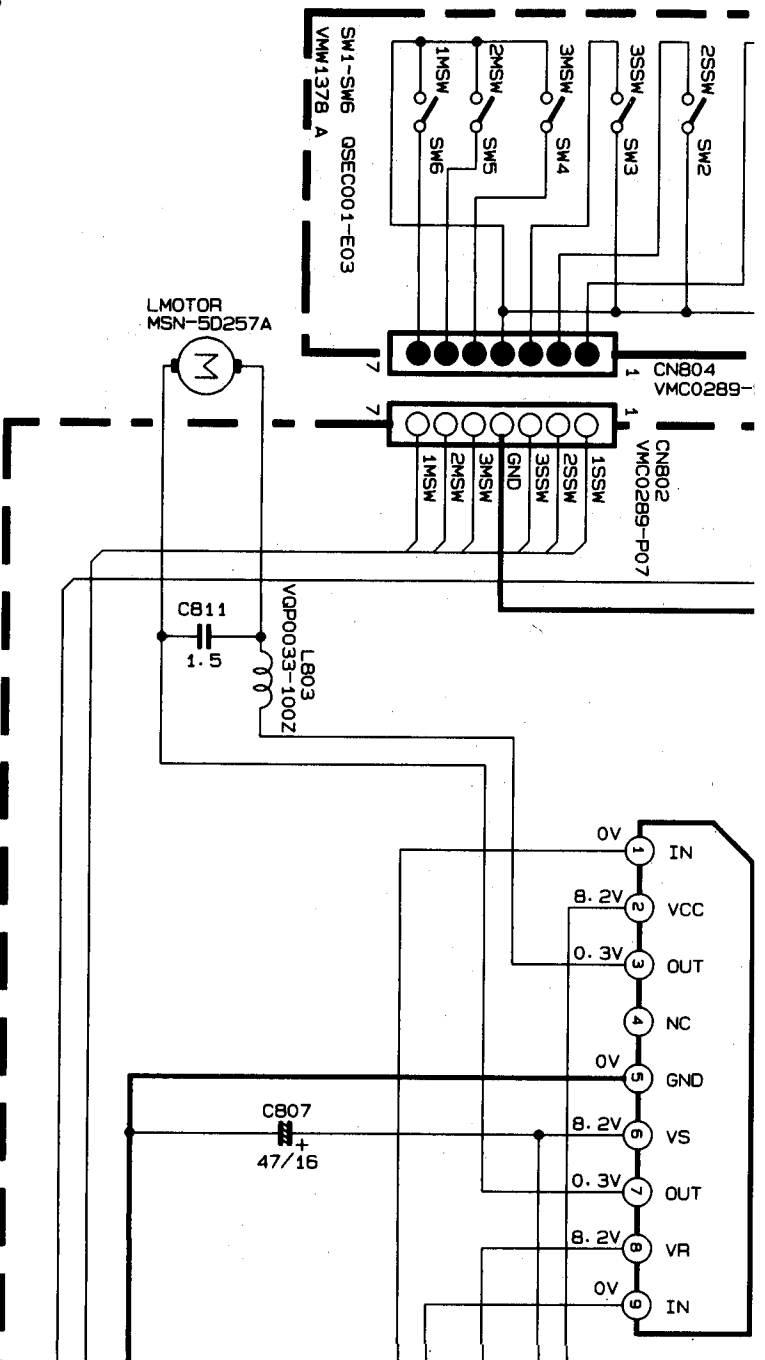


TABLE 1 CAM PATTERN LIST

| CAM NO.    | LCAM                  | DM        | RCAM | POSITION       |
|------------|-----------------------|-----------|------|----------------|
| POSITION   | 0 1 2 3               | 4 5 6 7   |      |                |
| MAIN TRAY1 | 0 1 1 1 0             | 1 1 1 1 0 |      | EMERGENCY      |
| SUB TRAY1  | 0 0 1 1 0 1 1 0 0     |           |      | TRAY1 STAND-BY |
| CAMR 1     | 0 1 0 1 0 1 1 0 1 0   |           |      | TRAY1 CHACKING |
| MAIN TRAY2 | 1 1 0 0 1 1 0 0 1 1   |           |      | TRAY2 STAND-BY |
| SUB TRAY2  | 1 1 1 0 0 0 1 1 1 1   |           |      | TRAY2 CHACKING |
| CAMR 2     | 1 0 1 0 0 0 1 0 1 0 1 |           |      | TRAY3 STAND-BY |
| MAIN TRAY3 | 1 1 0 0 0 0 0 0 1 1   |           |      | TRAY3 CHACKING |
| SUB TRAY3  | 1 0 0 0 0 0 1 1 1 1   |           |      |                |
| OFF        | 1 1 1 1 0 1 1 1 1 1 1 |           |      | OFF            |

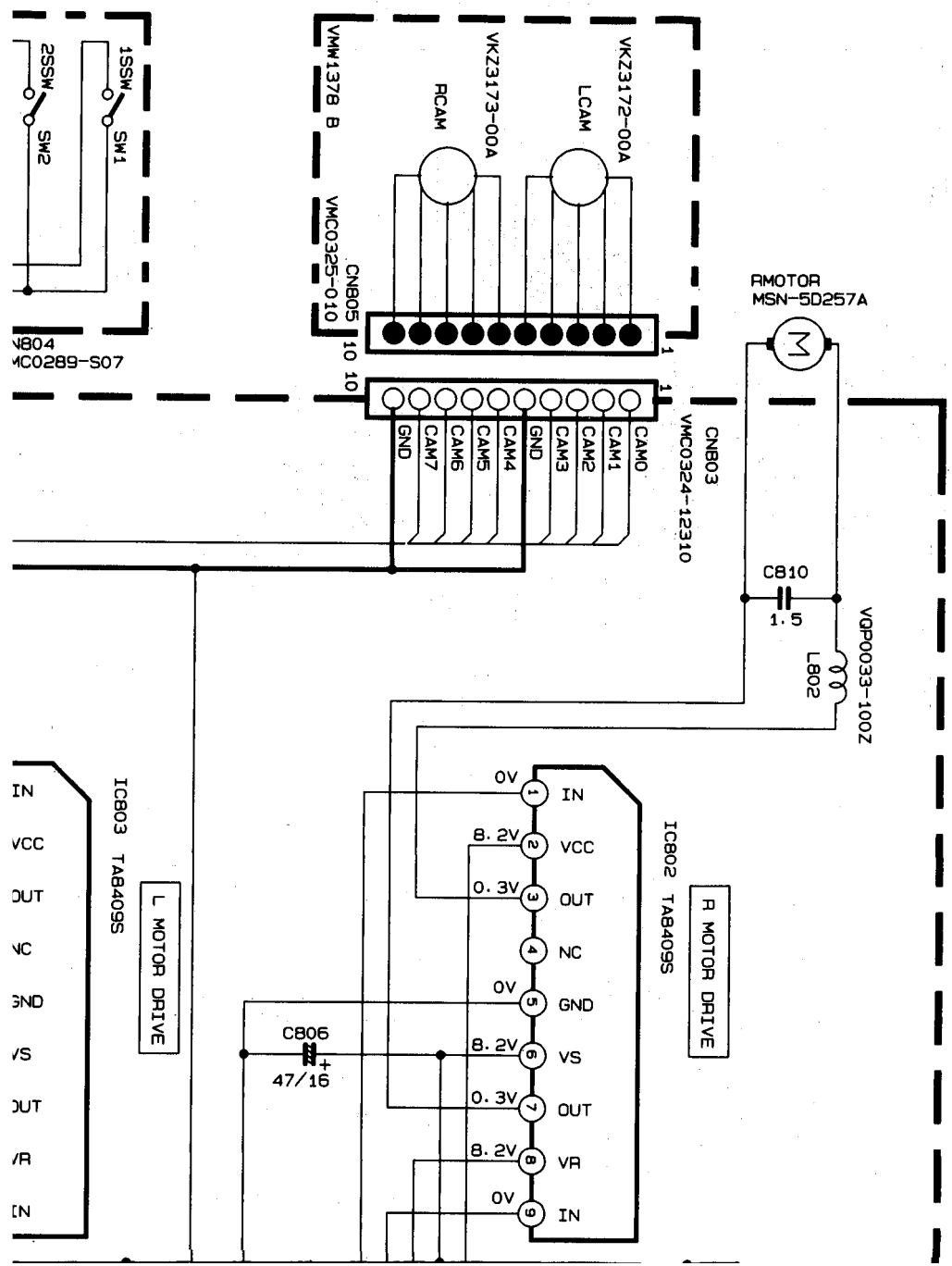
0=0V  
1=5V

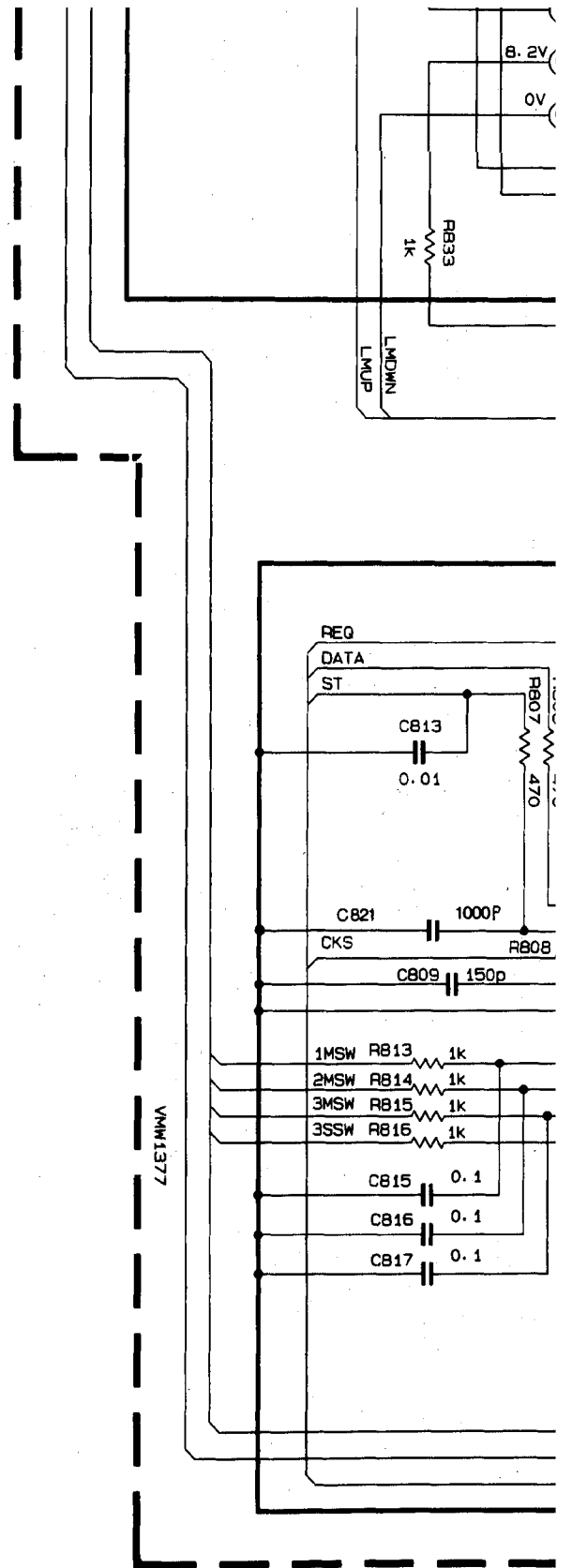


NOTES

1. VOLTAGES ARE DC-MEASURED WITH A DIGITAL VOLT METER OR OSCILLOSCOPE WITHOUT INPUT SIGNAL. CONDITION --- DISC 1 CD STOP MODE
2. UNLESS OTHERWISE SPECIFIED, RESISTORS ARE 1/8W ±5% CARBON RESISTOR. ALL RESISTANCE VALUES ARE IN OHM(Ω). ALL CAPACITORS ARE CERAMIC CAPACITOR OR MYLAR CAPACITOR. ALL CAPACITANCE VALUES ARE IN μF (P=PF). ALL INDUCTANCE VALUES ARE IN μH (m=MH). ALL E-CAPACITORS ARE SHOWN IN THE FORM OF CAPACITANCE (μF)/RAT

■ Audio Disc Mechanisms Control Section





ETER

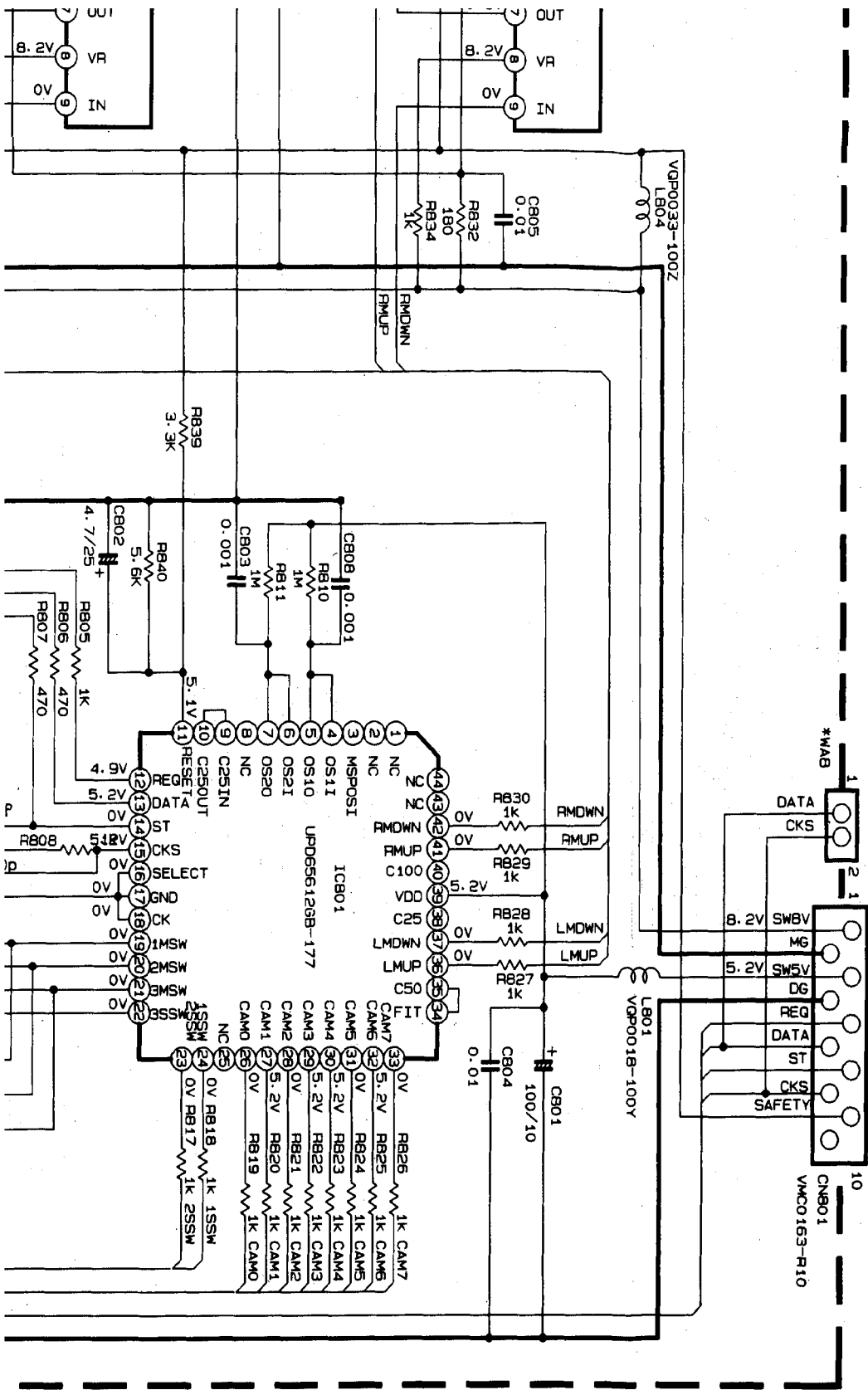
3% CARBON RESISTOR.

CAPACITOR.

CITANCE (μF)/RATED VOLTAGE (V).

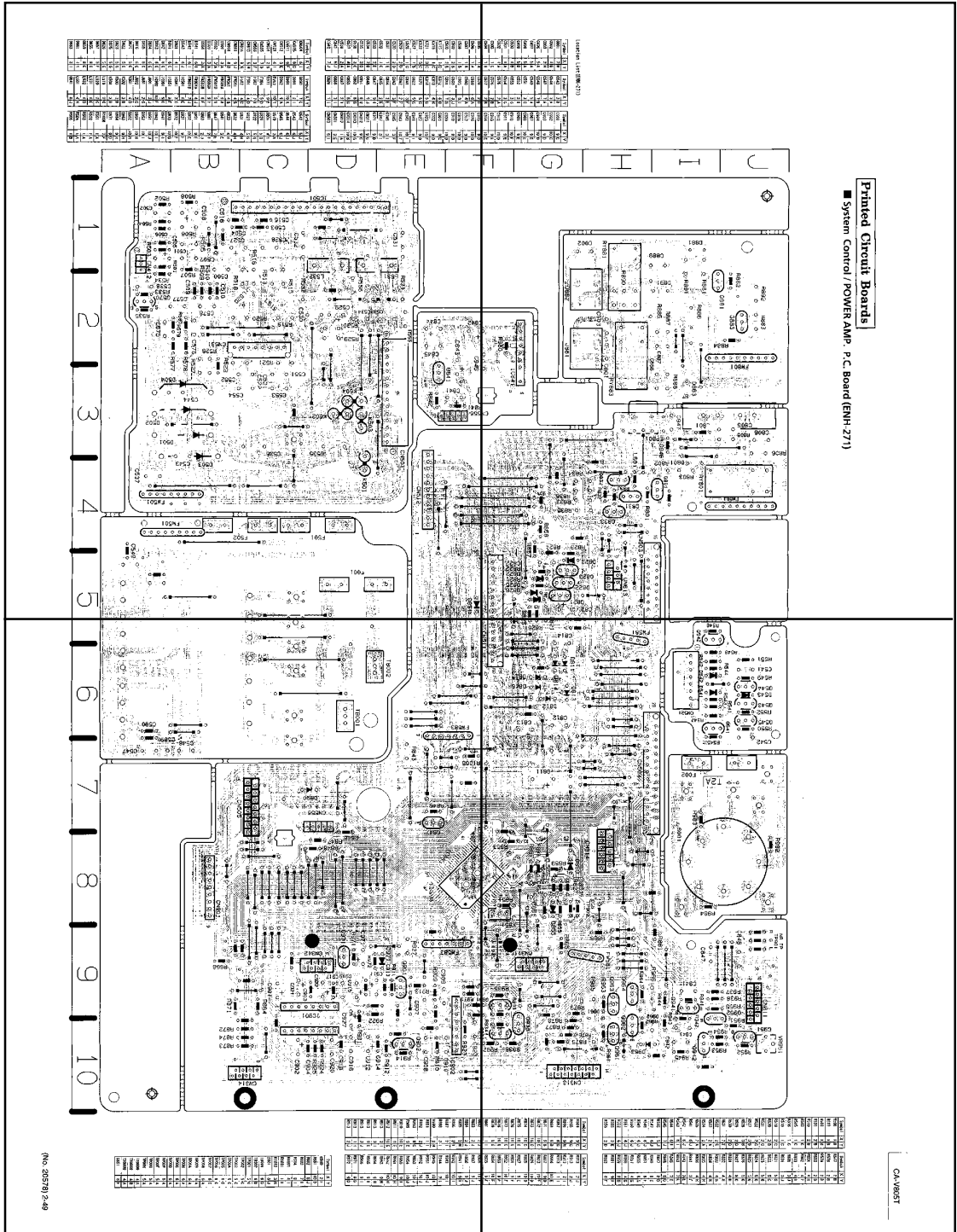
- (1) UNFLAMMABLE CARBON RESISTOR
- (2) METAL FILM RESISTOR
- (3) OXIDE METAL FILM RESISTOR
- (4) ±20% LOW LEAK CURRENT ELECTROLYTIC CAPACITOR
- (5) NON-POLARISED ELECTROLYTIC CAPACITOR
- (6) POLYPROPYLENE CAPACITOR
- (7) POLYSTYROL CAPACITOR

VM1377

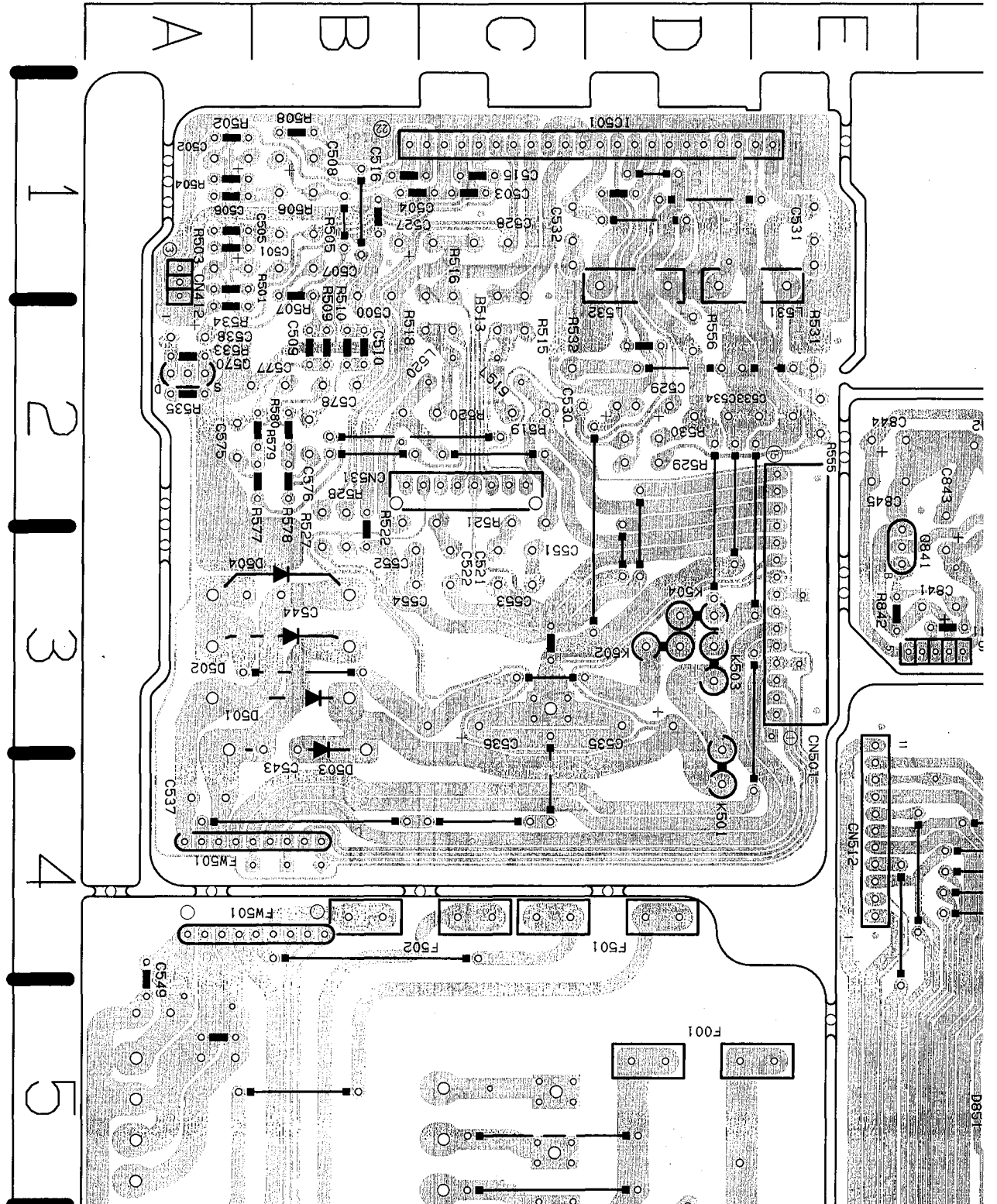


\*WAB  
NONE





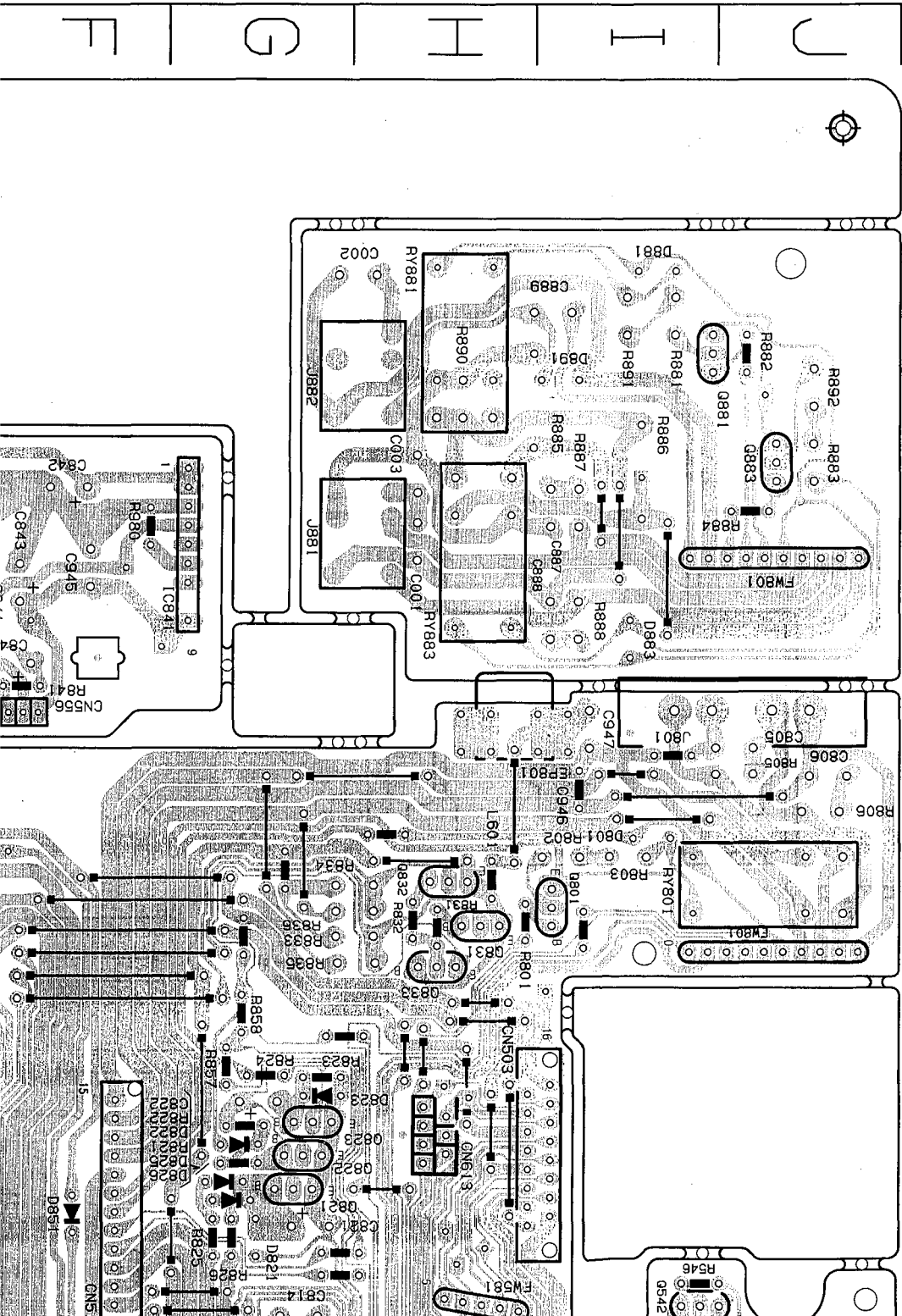
| Symbol | X   | Y    | Symbol | X    | Y    | Symbol | X | Y |
|--------|-----|------|--------|------|------|--------|---|---|
| CS07   | 1B  | CS90 | 6A     | CS17 | 9D   |        |   |   |
| CS08   | 1B  | CS95 | 3.1    | CS18 | 10D  |        |   |   |
| CS09   | 2B  | CS06 | 3.J    | CS19 | 9D   |        |   |   |
| CS10   | 2B  | CS11 | 7.G    | CS20 | 10D  |        |   |   |
| CS15   | 1C  | CS12 | 6.G    | CS21 | 9C   |        |   |   |
| CS16   | 1C  | CS13 | 6.G    | CS22 | 9D   |        |   |   |
| CS21   | 3C  | CS14 | 5.G    | CS23 | 10F  |        |   |   |
| CS22   | 3C  | CS21 | 5.G    | CS27 | 9D   |        |   |   |
| CS28   | 1C  | CS22 | 5.G    | CS41 | 9.I  |        |   |   |
| CS29   | 2D  | CS42 | 2.F    | CS42 | 10.I |        |   |   |
| CS30   | 2D  | CS43 | 3.F    | CS43 | 10.I |        |   |   |
| CS31   | 1E  | CS44 | 2.E    | CS45 | 3.F  |        |   |   |
| CS32   | 1C  | CS45 | 2.E    | CS46 | 3.I  |        |   |   |
| CS33   | 2E  | CS47 | 9.I    | CS47 | 3.I  |        |   |   |
| CS34   | 2D  | CS48 | 9.I    | CS81 | 9.G  |        |   |   |
| CS36   | 3D  | CS51 | 8.G    | CS82 | 9.C  |        |   |   |
| CS37   | 4A  | CS53 | 8.G    | CS83 | 10.G |        |   |   |
| CS38   | 2A  | CS87 | 2.I    | CS87 | 10.B |        |   |   |
| CS41   | 6.J | CS88 | 3.I    | CS87 | 10.B |        |   |   |
| CS42   | 7.J | CS89 | 1.I    | CS90 | 3.E  |        |   |   |
|        |     |      |        | CS93 | 5.I  |        |   |   |





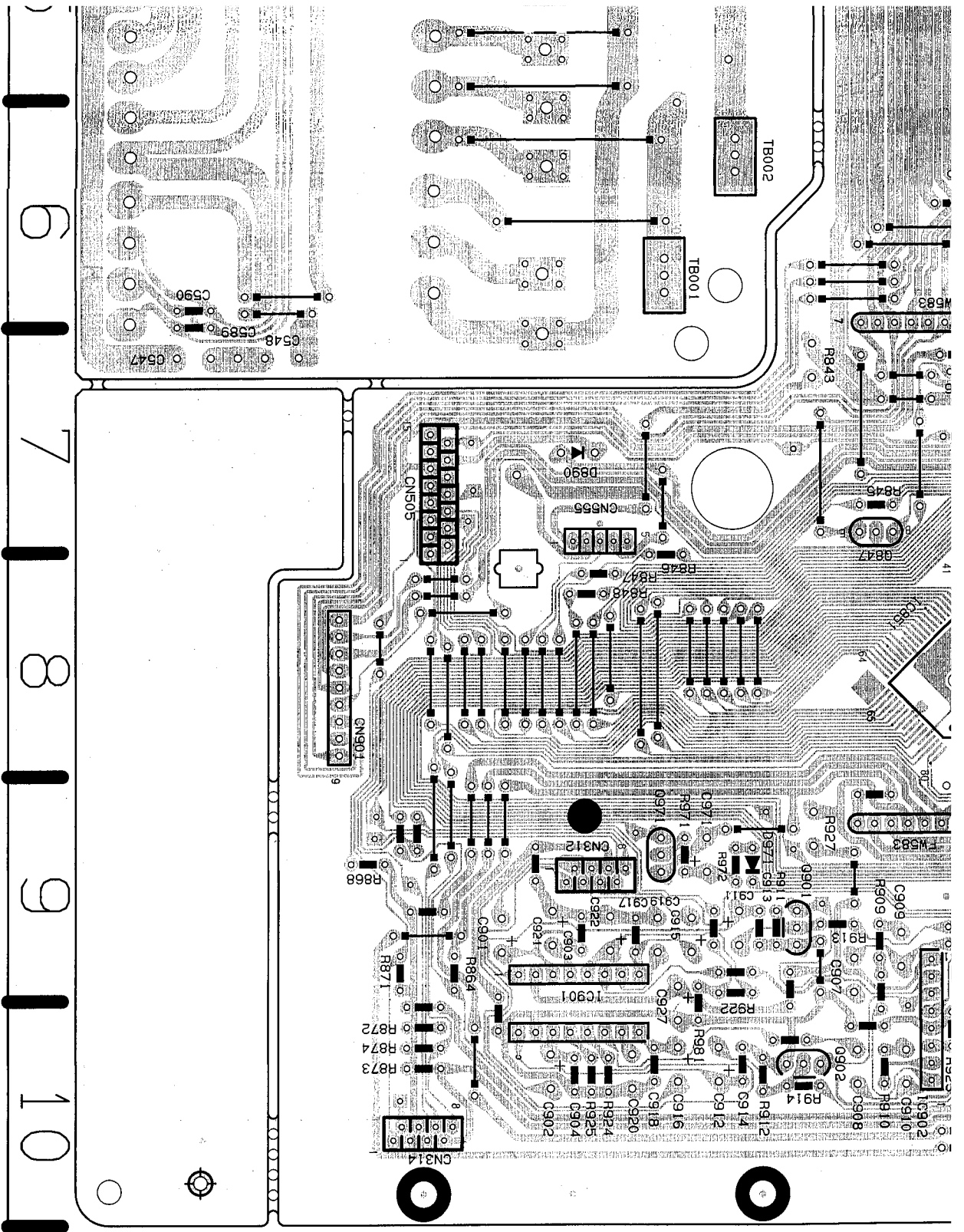
# Printed Circuit Boards

■ System Control / POWER AMP. P.C. Board (ENH-271)



Location List (ENH-271)

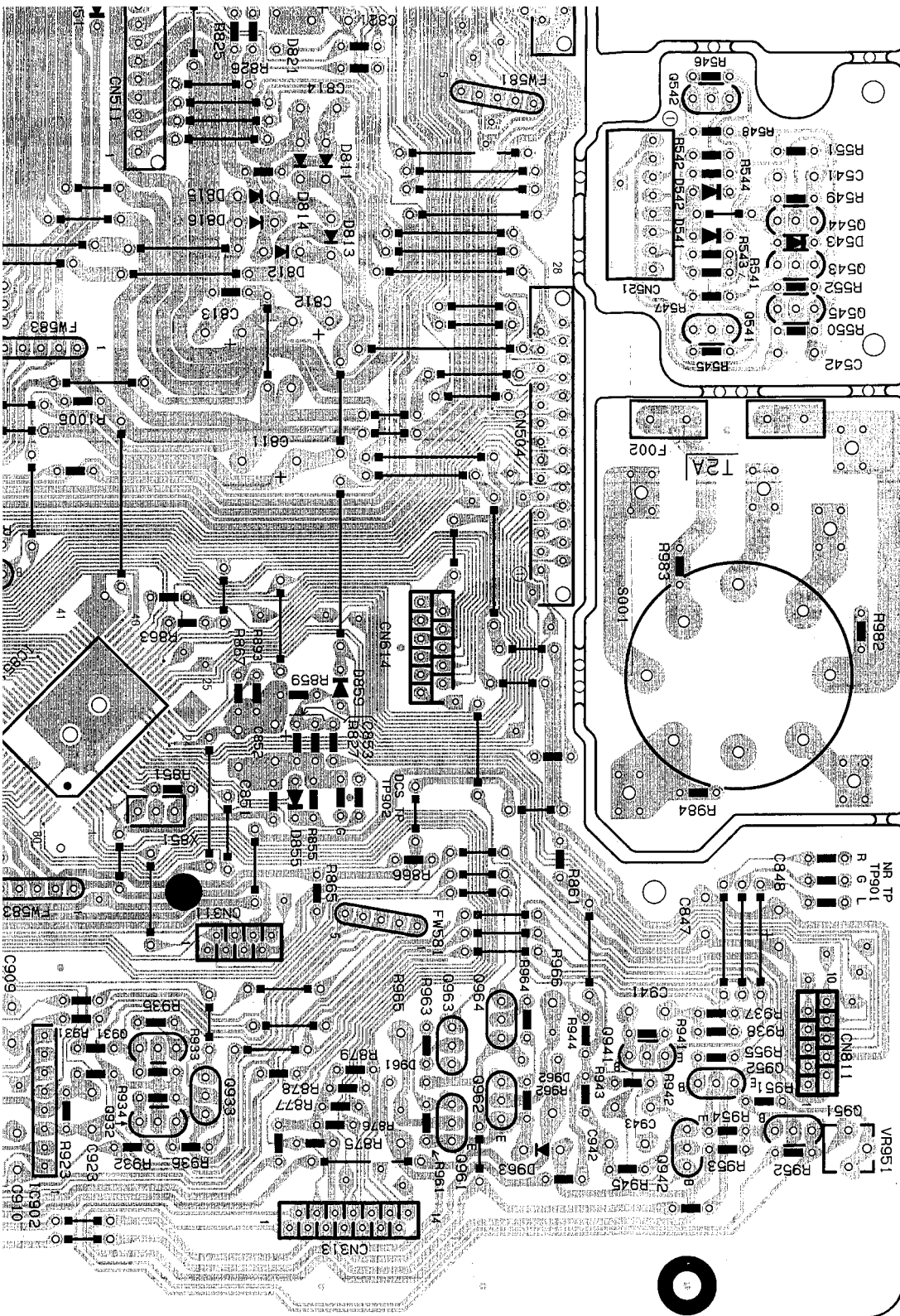
| Symbol | X  | Y  | Symbol | X  | Y  | Symbol | X   | Y  | Symbol | X   | Y  |
|--------|----|----|--------|----|----|--------|-----|----|--------|-----|----|
| R801   | 2H | 1G | R843   | 3B | 1C | C801   | 9C  | 1C | C801   | 9C  | 1C |
| C802   | 1G | 1G | C844   | 3A | 1C | C802   | 10C | 1C | C802   | 10C | 1C |
| C803   | 2H | 1G | C847   | 7A | 1A | C803   | 9D  | 1C | C803   | 9D  | 1C |
| C806   | 5A | 1G | C848   | 7B | 1A | C804   | 10D | 1C | C804   | 10D | 1C |
| C807   | 5A | 1G | C849   | 5A | 1A | C807   | 9E  | 1C | C807   | 9E  | 1C |
| C808   | 5A | 1G | C851   | 3C | 1A | C808   | 10E | 1C | C808   | 10E | 1C |
| C809   | 5D | 1G | C852   | 3B | 1A | C809   | 9E  | 1C | C809   | 9E  | 1C |
| C810   | 1B | 1G | C853   | 3C | 1A | C810   | 10F | 1C | C810   | 10F | 1C |
| C811   | 1A | 1G | C854   | 3C | 1A | C811   | 9E  | 1C | C811   | 9E  | 1C |
| C812   | 1A | 1G | C855   | 2A | 1A | C812   | 10D | 1C | C812   | 10D | 1C |
| C813   | 1C | 1G | C856   | 2B | 1A | C813   | 9E  | 1C | C813   | 9E  | 1C |
| C814   | 1B | 1G | C857   | 2B | 1A | C814   | 10E | 1C | C814   | 10E | 1C |
| C815   | 1A | 1G | C858   | 2B | 1A | C815   | 9D  | 1C | C815   | 9D  | 1C |
| C816   | 1A | 1G | C859   | 6A | 1A | C816   | 10D | 1C | C816   | 10D | 1C |
| C817   | 1B | 1G | C860   | 6A | 1A | C817   | 9D  | 1C | C817   | 9D  | 1C |
| C818   | 1B | 1G | C861   | 3J | 1J | C818   | 10D | 1C | C818   | 10D | 1C |
| C819   | 2B | 1G | C862   | 3J | 1J | C819   | 9D  | 1C | C819   | 9D  | 1C |



|      |     |      |     |
|------|-----|------|-----|
| R885 | 2H  | R941 | 9I  |
| R886 | 2I  | R942 | 10I |
| R887 | 2J  | R943 | 10J |
| R888 | 3I  | R944 | 9I  |
| R889 | 2H  | R945 | 10I |
| R890 | 2H  | R946 | 10J |
| R891 | 1I  | R947 | 10J |
| R892 | 2J  | R948 | 10J |
| R893 | 8I  | R949 | 10J |
| R894 | 8I  | R950 | 10J |
| R895 | 9I  | R951 | 10J |
| R896 | 9I  | R952 | 10J |
| R897 | 1I  | R953 | 10J |
| R898 | 1I  | R954 | 10J |
| R899 | 1I  | R955 | 9I  |
| R900 | 10E | R956 | 10H |
| R901 | 10E | R957 | 10H |
| R902 | 10E | R958 | 10H |
| R903 | 2I  | R959 | 9H  |
| R904 | 3I  | R960 | 9H  |
| R905 | 9I  | R961 | 9I  |
| R906 | 9I  | R962 | 9I  |
| R907 | 1I  | R963 | 9I  |
| R908 | 1I  | R964 | 9I  |
| R909 | 1I  | R965 | 9I  |
| R910 | 2J  | R966 | 9I  |
| R911 | 2J  | R967 | 9I  |
| R912 | 2J  | R968 | 9I  |
| R913 | 2J  | R969 | 9I  |
| R914 | 2J  | R970 | 9I  |
| R915 | 2J  | R971 | 9I  |
| R916 | 2J  | R972 | 9I  |

| Symbol | X   | Y |
|--------|-----|---|
| R980   | 2F  |   |
| R981   | 10D |   |
| R982   | 8J  |   |
| R983   | 7I  |   |
| R984   | 8I  |   |
| R985   | 4I  |   |
| R986   | 1H  |   |
| R987   | 3H  |   |
| R988   | 1H  |   |
| R989   | 8J  |   |
| R990   | 6D  |   |
| R991   | 6D  |   |
| R992   | 5C  |   |
| R993   | 5C  |   |
| R994   | 5C  |   |
| R995   | 6C  |   |
| R996   | 6C  |   |
| R997   | 6C  |   |
| R998   | 6C  |   |
| R999   | 6A  |   |
| R1000  | 6A  |   |
| R1001  | 5A  |   |
| R1002  | 5A  |   |
| R1003  | 5A  |   |
| R1004  | 4A  |   |
| R1005  | 4A  |   |
| R1006  | 4A  |   |
| R1007  | 4A  |   |
| R1008  | 4A  |   |
| R1009  | 4A  |   |
| R1010  | 8F  |   |

(No. 20578) 2-49

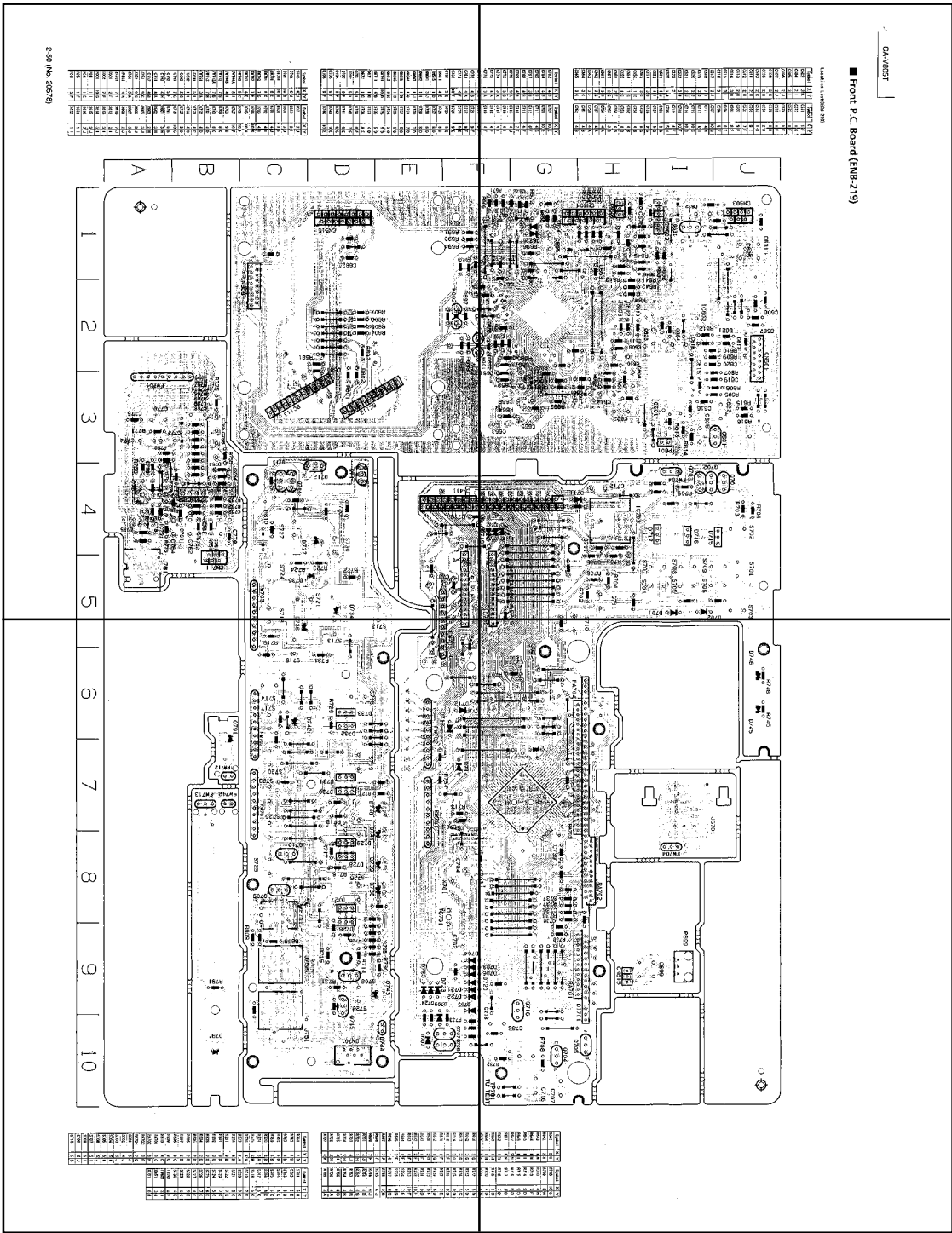


| Symbol | X  | Y    | Symbol | X | Y |
|--------|----|------|--------|---|---|
| R506   | 1B | R577 | 2B     |   |   |
| R507   | 1B | R578 | 2B     |   |   |
| R508   | 1B | R579 | 2B     |   |   |
| R509   | 2B | R580 | 2B     |   |   |
| R510   | 2B | R581 | 4H     |   |   |
| R513   | 1C | R582 | 4I     |   |   |
| R515   | 1C | R583 | 4I     |   |   |
| R516   | 1C | R585 | 3J     |   |   |
| R518   | 1C | R586 | 3J     |   |   |
| R519   | 2C | R521 | 5G     |   |   |
| R520   | 2C | R522 | 5G     |   |   |
| R521   | 2C | R523 | 5G     |   |   |
| R522   | 2C | R524 | 5G     |   |   |
| R523   | 3B | R525 | 5G     |   |   |
| R528   | 3B | R526 | 5G     |   |   |
| R529   | 2D | R527 | 8G     |   |   |
| R530   | 2D | R531 | 4H     |   |   |
| R531   | 2E | R532 | 4H     |   |   |
| R532   | 2C | R533 | 4H     |   |   |
| R533   | 2A | R534 | 4H     |   |   |
| R534   | 2A | R535 | 4H     |   |   |
| R535   | 2A | R536 | 4H     |   |   |
| R541   | 6J | R542 | 3E     |   |   |
| R542   | 6J | R543 | 7E     |   |   |
| R543   | 6I | R544 | 7E     |   |   |
| R544   | 6I | R545 | 7E     |   |   |
| R545   | 7J | R546 | 8D     |   |   |
| R546   | 5J | R547 | 8D     |   |   |
| R547   | 6J | R548 | 8C     |   |   |
| R548   | 6J | R549 | 8F     |   |   |
| R549   | 6J | R550 | 8G     |   |   |
| R550   | 6J | R551 | 4G     |   |   |
| R551   | 6J | R552 | 4G     |   |   |
| R552   | 6J | R553 | 8G     |   |   |
| R553   | 2E | R554 | 9I     |   |   |
| R554   | 2D | R555 | 8F     |   |   |
| R555   | 2D | R556 | 8F     |   |   |
| R556   | 2D | R557 | 8F     |   |   |
| R557   | 2D | R558 | 8F     |   |   |
| R558   | 2D | R559 | 8F     |   |   |
| R559   | 2D | R560 | 8F     |   |   |
| R560   | 2D | R561 | 8F     |   |   |
| R561   | 2D | R562 | 8F     |   |   |
| R562   | 2D | R563 | 8F     |   |   |
| R563   | 2D | R564 | 8F     |   |   |
| R564   | 2D | R565 | 8F     |   |   |
| R565   | 2D | R566 | 8F     |   |   |
| R566   | 2D | R567 | 8F     |   |   |
| R567   | 2D | R568 | 8F     |   |   |
| R568   | 2D | R569 | 8F     |   |   |
| R569   | 2D | R570 | 8F     |   |   |
| R570   | 2D | R571 | 8F     |   |   |
| R571   | 2D | R572 | 8F     |   |   |
| R572   | 2D | R573 | 8F     |   |   |
| R573   | 2D | R574 | 8F     |   |   |
| R574   | 2D | R575 | 8F     |   |   |
| R575   | 2D | R576 | 8F     |   |   |
| R576   | 2D | R577 | 8F     |   |   |
| R577   | 2D | R578 | 8F     |   |   |
| R578   | 2D | R579 | 8F     |   |   |
| R579   | 2D | R580 | 8F     |   |   |
| R580   | 2D | R581 | 8F     |   |   |
| R581   | 2D | R582 | 8F     |   |   |
| R582   | 2D | R583 | 8F     |   |   |
| R583   | 2D | R584 | 8F     |   |   |
| R584   | 2D | R585 | 8F     |   |   |
| R585   | 2D | R586 | 8F     |   |   |
| R586   | 2D | R587 | 8F     |   |   |
| R587   | 2D | R588 | 8F     |   |   |
| R588   | 2D | R589 | 8F     |   |   |
| R589   | 2D | R590 | 8F     |   |   |
| R590   | 2D | R591 | 8F     |   |   |
| R591   | 2D | R592 | 8F     |   |   |
| R592   | 2D | R593 | 8F     |   |   |
| R593   | 2D | R594 | 8F     |   |   |
| R594   | 2D | R595 | 8F     |   |   |
| R595   | 2D | R596 | 8F     |   |   |
| R596   | 2D | R597 | 8F     |   |   |
| R597   | 2D | R598 | 8F     |   |   |
| R598   | 2D | R599 | 8F     |   |   |
| R599   | 2D | R600 | 8F     |   |   |
| R600   | 2D | R601 | 8F     |   |   |
| R601   | 2D | R602 | 8F     |   |   |
| R602   | 2D | R603 | 8F     |   |   |
| R603   | 2D | R604 | 8F     |   |   |
| R604   | 2D | R605 | 8F     |   |   |
| R605   | 2D | R606 | 8F     |   |   |
| R606   | 2D | R607 | 8F     |   |   |
| R607   | 2D | R608 | 8F     |   |   |
| R608   | 2D | R609 | 8F     |   |   |
| R609   | 2D | R610 | 8F     |   |   |
| R610   | 2D | R611 | 8F     |   |   |
| R611   | 2D | R612 | 8F     |   |   |
| R612   | 2D | R613 | 8F     |   |   |
| R613   | 2D | R614 | 8F     |   |   |
| R614   | 2D | R615 | 8F     |   |   |
| R615   | 2D | R616 | 8F     |   |   |
| R616   | 2D | R617 | 8F     |   |   |
| R617   | 2D | R618 | 8F     |   |   |
| R618   | 2D | R619 | 8F     |   |   |
| R619   | 2D | R620 | 8F     |   |   |
| R620   | 2D | R621 | 8F     |   |   |
| R621   | 2D | R622 | 8F     |   |   |
| R622   | 2D | R623 | 8F     |   |   |
| R623   | 2D | R624 | 8F     |   |   |
| R624   | 2D | R625 | 8F     |   |   |
| R625   | 2D | R626 | 8F     |   |   |
| R626   | 2D | R627 | 8F     |   |   |
| R627   | 2D | R628 | 8F     |   |   |
| R628   | 2D | R629 | 8F     |   |   |
| R629   | 2D | R630 | 8F     |   |   |
| R630   | 2D | R631 | 8F     |   |   |
| R631   | 2D | R632 | 8F     |   |   |
| R632   | 2D | R633 | 8F     |   |   |
| R633   | 2D | R634 | 8F     |   |   |
| R634   | 2D | R635 | 8F     |   |   |
| R635   | 2D | R636 | 8F     |   |   |
| R636   | 2D | R637 | 8F     |   |   |
| R637   | 2D | R638 | 8F     |   |   |
| R638   | 2D | R639 | 8F     |   |   |
| R639   | 2D | R640 | 8F     |   |   |
| R640   | 2D | R641 | 8F     |   |   |
| R641   | 2D | R642 | 8F     |   |   |
| R642   | 2D | R643 | 8F     |   |   |
| R643   | 2D | R644 | 8F     |   |   |
| R644   | 2D | R645 | 8F     |   |   |
| R645   | 2D | R646 | 8F     |   |   |
| R646   | 2D | R647 | 8F     |   |   |
| R647   | 2D | R648 | 8F     |   |   |
| R648   | 2D | R649 | 8F     |   |   |
| R649   | 2D | R650 | 8F     |   |   |
| R650   | 2D | R651 | 8F     |   |   |
| R651   | 2D | R652 | 8F     |   |   |
| R652   | 2D | R653 | 8F     |   |   |
| R653   | 2D | R654 | 8F     |   |   |
| R654   | 2D | R655 | 8F     |   |   |
| R655   | 2D | R656 | 8F     |   |   |
| R656   | 2D | R657 | 8F     |   |   |
| R657   | 2D | R658 | 8F     |   |   |
| R658   | 2D | R659 | 8F     |   |   |
| R659   | 2D | R660 | 8F     |   |   |
| R660   | 2D | R661 | 8F     |   |   |
| R661   | 2D | R662 | 8F     |   |   |
| R662   | 2D | R663 | 8F     |   |   |
| R663   | 2D | R664 | 8F     |   |   |
| R664   | 2D | R665 | 8F     |   |   |
| R665   | 2D | R666 | 8F     |   |   |
| R666   | 2D | R667 | 8F     |   |   |
| R667   | 2D | R668 | 8F     |   |   |
| R668   | 2D | R669 | 8F     |   |   |
| R669   | 2D | R670 | 8F     |   |   |
| R670   | 2D | R671 | 8F     |   |   |
| R671   | 2D | R672 | 8F     |   |   |
| R672   | 2D | R673 | 8F     |   |   |
| R673   | 2D | R674 | 8F     |   |   |
| R674   | 2D | R675 | 8F     |   |   |
| R675   | 2D | R676 | 8F     |   |   |
| R676   | 2D | R677 | 8F     |   |   |
| R677   | 2D | R678 | 8F     |   |   |
| R678   | 2D | R679 | 8F     |   |   |
| R679   | 2D | R680 | 8F     |   |   |
| R680   | 2D | R681 | 8F     |   |   |
| R681   | 2D | R682 | 8F     |   |   |
| R682   | 2D | R683 | 8F     |   |   |
| R683   | 2D | R684 | 8F     |   |   |
| R684   | 2D | R685 | 8F     |   |   |
| R685   | 2D | R686 | 8F     |   |   |
| R686   | 2D | R687 | 8F     |   |   |
| R687   | 2D | R688 | 8F     |   |   |
| R688   | 2D | R689 | 8F     |   |   |
| R689   | 2D | R690 | 8F     |   |   |
| R690   | 2D | R691 | 8F     |   |   |
| R691   | 2D | R692 | 8F     |   |   |
| R692   | 2D | R693 | 8F     |   |   |
| R693   | 2D | R694 | 8F     |   |   |
| R694   | 2D | R695 | 8F     |   |   |
| R695   | 2D | R696 | 8F     |   |   |
| R696   | 2D | R697 | 8F     |   |   |
| R697   | 2D | R698 | 8F     |   |   |
| R698   | 2D | R699 | 8F     |   |   |
| R699   | 2D | R700 | 8F     |   |   |



P2-50-a

P2-50-b

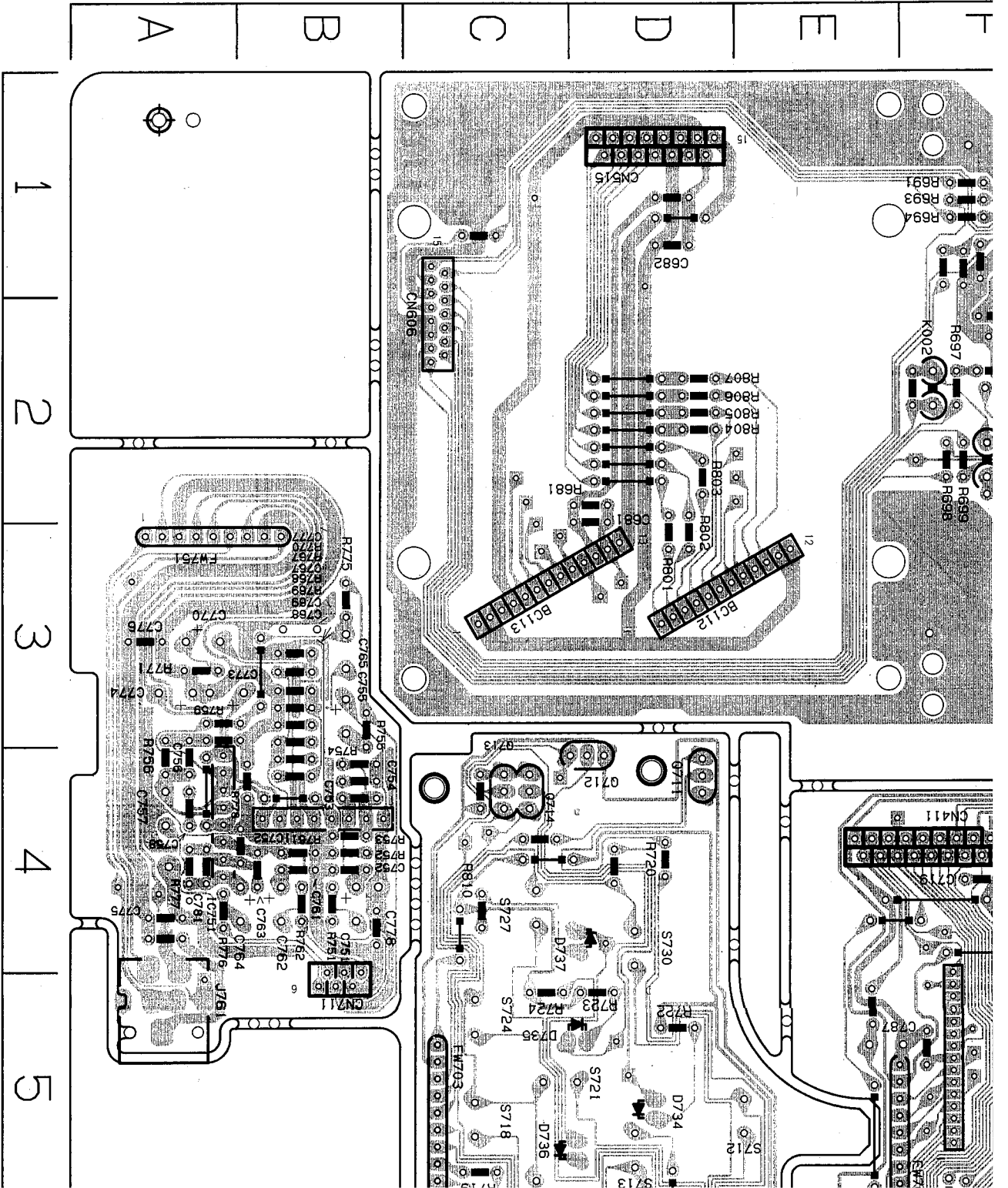


P2-50-c

P2-50-d

|       |     |      |     |
|-------|-----|------|-----|
| C777  | 3B  | D220 | 9F  |
| C778  | 4B  | D221 | 9F  |
| C781  | 4A  | D222 | 9F  |
| C785  | 4F  | D223 | 9E  |
| C786  | 10F | D224 | 9E  |
| C787  | 5E  | D225 | 9E  |
| CM411 | 4E  | D226 | 8D  |
| CM515 | 1D  | D227 | 8D  |
| CM601 | 3J  | D228 | 8D  |
| CM602 | 1I  | D229 | 8D  |
| CM603 | 1J  | D230 | 8D  |
| CM604 | 1G  | D231 | 7D  |
| CM605 | 1H  | D232 | 6D  |
| CM606 | 1C  | D233 | 6D  |
| CM615 | 9H  | D234 | 5D  |
| CM701 | 10D | D235 | 5D  |
| CM711 | 4B  | D236 | 5D  |
| DM71  | 1G  | D237 | 4D  |
| DM72  | 1G  | D237 | 4D  |
| DM72  | 1G  | D238 | 8E  |
| D201  | 5I  | D239 | 8E  |
| D202  | 5I  | D240 | 7E  |
| D203  | 9E  | D241 | 8E  |
| D204  | 9F  | D242 | 6E  |
| D205  | 9F  | D243 | 9E  |
| D206  | 9F  | D244 | 10E |

|        |     |      |        |    |   |
|--------|-----|------|--------|----|---|
| Symbol | X   | Y    | Symbol | X  | Y |
| D245   | 6J  | P07  | P07    | 3J |   |
| D246   | 6J  | P99  | P99    | 9I |   |
| D791   | 10B | Q601 | 3J     |    |   |
| DI701  | 10H | Q631 | 1I     |    |   |
| FM701  | 8E  | Q701 | 4J     |    |   |
| FM701  | 8C  | Q702 | 4I     |    |   |
| FM702  | 7C  | Q703 | 4I     |    |   |
| FM702  | 7E  | Q704 | 10H    |    |   |
| FM703  | 6E  | Q705 | 10H    |    |   |
| FM703  | 5C  | Q706 | 10F    |    |   |
| FM704  | 8I  | Q707 | 10F    |    |   |
| FM706  | 4I  | Q708 | 9D     |    |   |
| FM712  | 7B  | Q709 | 8C     |    |   |
| FM712A | 7B  | Q710 | 8C     |    |   |
| FM713  | 7B  | Q711 | 4D     |    |   |
| FM751  | 3A  | Q712 | 4D     |    |   |
| LC801  | 3I  | Q713 | 4C     |    |   |
| LC802  | 1I  | Q714 | 4C     |    |   |
| LC803  | 2G  | Q715 | 9D     |    |   |
| LC701  | 7G  | Q716 | 10G    |    |   |
| LC702  | 5F  | Q791 | 6B     |    |   |
| LC703  | 4H  | R601 | 3H     |    |   |
| LC751  | 4A  | R602 | 3H     |    |   |
| LC752  | 4B  | R603 | 2H     |    |   |
| J751   | 9C  | R605 | 3J     |    |   |
| J752   | 9C  | R606 | 3J     |    |   |
| J761   | 5A  | R607 | 3J     |    |   |
| JP951  | 4A  | R609 | 2J     |    |   |
| LS701  | 7I  | R610 | 2J     |    |   |
| K001   | 2F  | R612 | 2I     |    |   |
| K002   | 2F  | R613 | 3I     |    |   |
| P001   | 10G | R614 | 3I     |    |   |
| P01    | 1I  | R615 | 3J     |    |   |
| P04    | 1G  | R616 | 3J     |    |   |
| P05    | 1F  | R631 | 1I     |    |   |
| P06    | 3F  | R632 | 1I     |    |   |

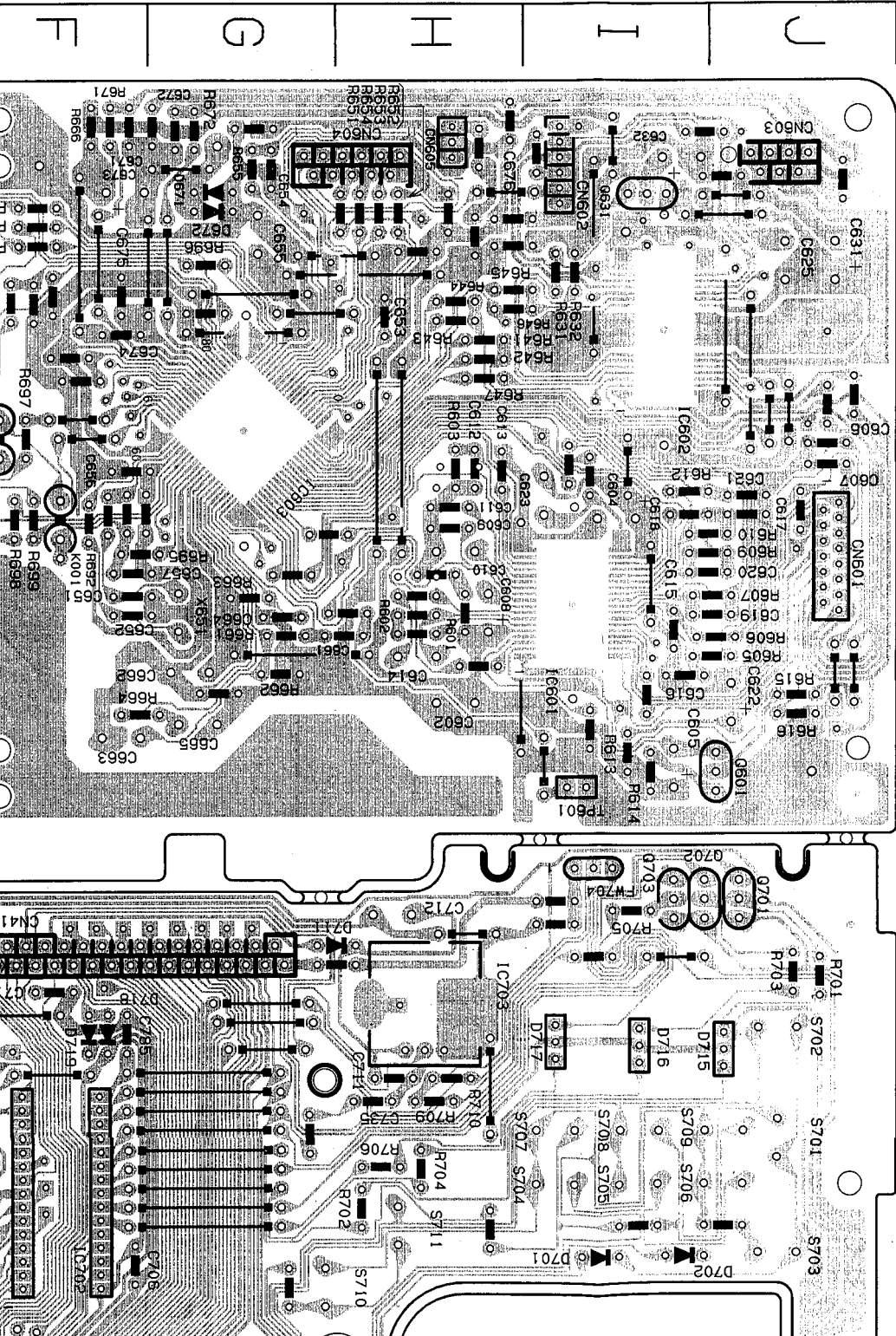


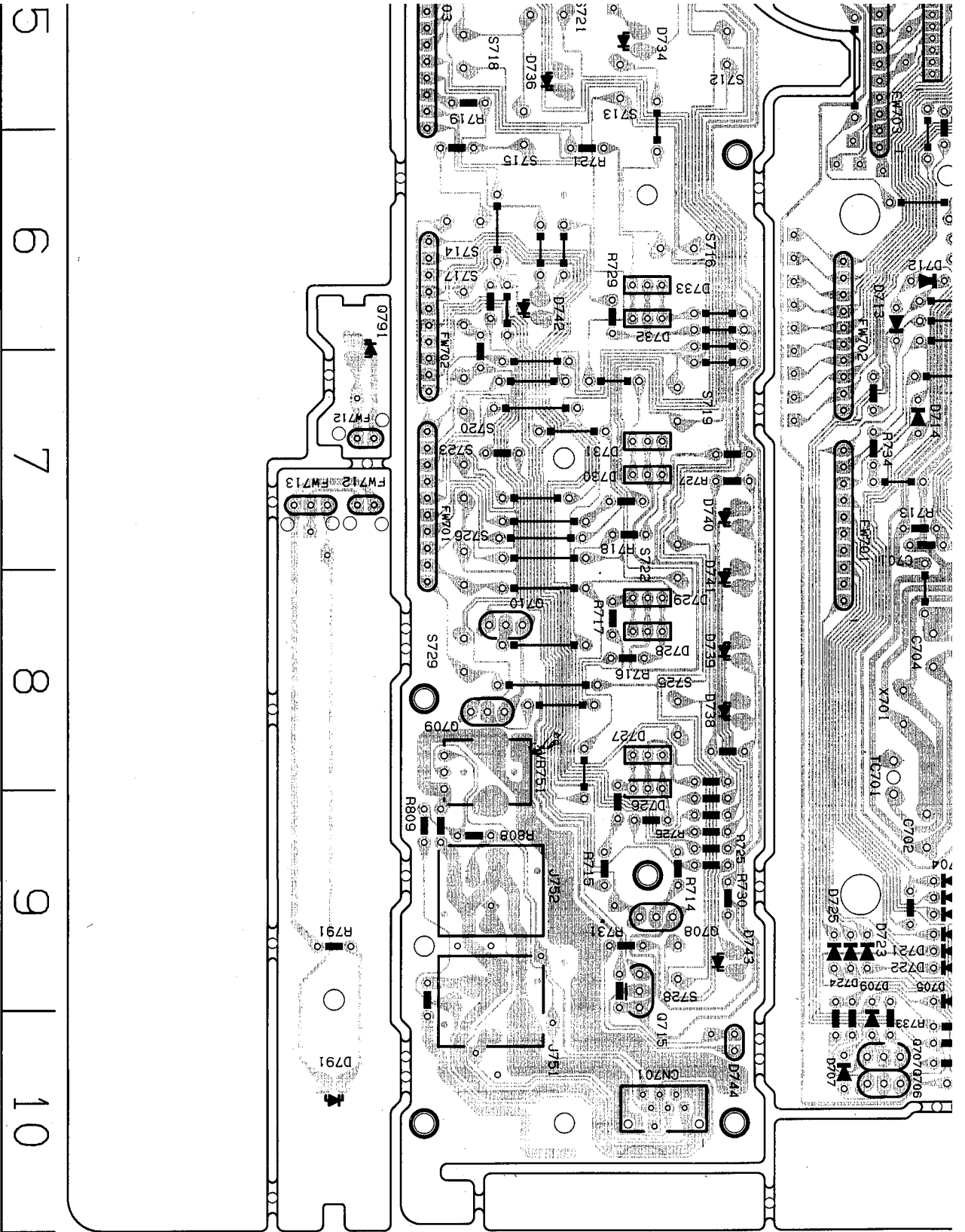
Front P.C. Board (ENB-219)

Location List (ENB-219)

| Symbol | X  | Y  | Symbol | X   | Y  |
|--------|----|----|--------|-----|----|
| C602   | 3H | 06 | C671   | 1F  | 06 |
| C604   | 2I | 06 | C672   | 1G  | 06 |
| C605   | 3I | 06 | C673   | 1F  | 06 |
| C606   | 2J | 06 | C674   | 1F  | 06 |
| C607   | 2J | 06 | C675   | 1F  | 06 |
| C608   | 3H | 06 | C676   | 1H  | 06 |
| C609   | 2H | 06 | C681   | 2D  | 06 |
| C610   | 2H | 06 | C682   | 1D  | 06 |
| C611   | 2H | 06 | C689   | 9I  | 06 |
| C612   | 2H | 06 | C701   | 7F  | 06 |
| C613   | 2H | 06 | C702   | 9F  | 06 |
| C614   | 3H | 06 | C703   | 8F  | 06 |
| C615   | 3I | 06 | C704   | 8F  | 06 |
| C616   | 3I | 06 | C706   | 5F  | 06 |
| C617   | 2J | 06 | C707   | 10G | 06 |
| C618   | 2I | 06 | C711   | 4H  | 06 |
| C619   | 3J | 06 | C712   | 4H  | 06 |
| C620   | 2J | 06 | C715   | 10G | 06 |
| C621   | 2J | 06 | C716   | 10G | 06 |
| C622   | 3J | 06 | C718   | 10F | 06 |
| C623   | 2I | 06 | C719   | 4F  | 06 |
| C625   | 1J | 06 | C735   | 5H  | 06 |
| C631   | 1J | 06 | C736   | 8G  | 06 |
| C632   | 1I | 06 | C737   | 8G  | 06 |
| C651   | 3G | 06 | C738   | 9G  | 06 |
| C652   | 3G | 06 | C739   | 8G  | 06 |
| C653   | 1H | 06 | C751   | 4B  | 06 |
| C654   | 1G | 06 | C752   | 4B  | 06 |
| C655   | 1G | 06 | C753   | 4B  | 06 |
| C656   | 2F | 06 | C754   | 4B  | 06 |
| C657   | 2G | 06 | C755   | 3B  | 06 |
| C661   | 3H | 06 | C756   | 4A  | 06 |
| C662   | 3G | 06 | C757   | 4A  | 06 |
| C663   | 3F | 06 | C758   | 4A  | 06 |
| C664   | 3G | 06 | C761   | 4B  | 06 |
| C665   | 3G | 06 | C762   | 4B  | 06 |

| Symbol | X  | Y  | Symbol | X   | Y  |
|--------|----|----|--------|-----|----|
| C763   | 4B | 06 | D707   | 10E | 06 |
| C764   | 4B | 06 | D709   | 10E | 06 |
| C765   | 3B | 06 | D711   | 4G  | 06 |
| C767   | 3B | 06 | D712   | 6F  | 06 |
| C768   | 4B | 06 | D713   | 6F  | 06 |
| C769   | 4B | 06 | D714   | 7F  | 06 |
| C770   | 3A | 06 | D715   | 4J  | 06 |
| C773   | 3A | 06 | D716   | 4I  | 06 |
| C774   | 3A | 06 | D717   | 4I  | 06 |
| C775   | 4A | 06 | D718   | 4F  | 06 |
| C776   | 3A | 06 | D719   | 4F  | 06 |
| C777   | 3B | 06 | D720   | 9F  | 06 |
| C778   | 4B | 06 | D721   | 9F  | 06 |
| C781   | 4A | 06 | D722   | 9F  | 06 |
| C785   | 4F | 06 | D723   | 9E  | 06 |



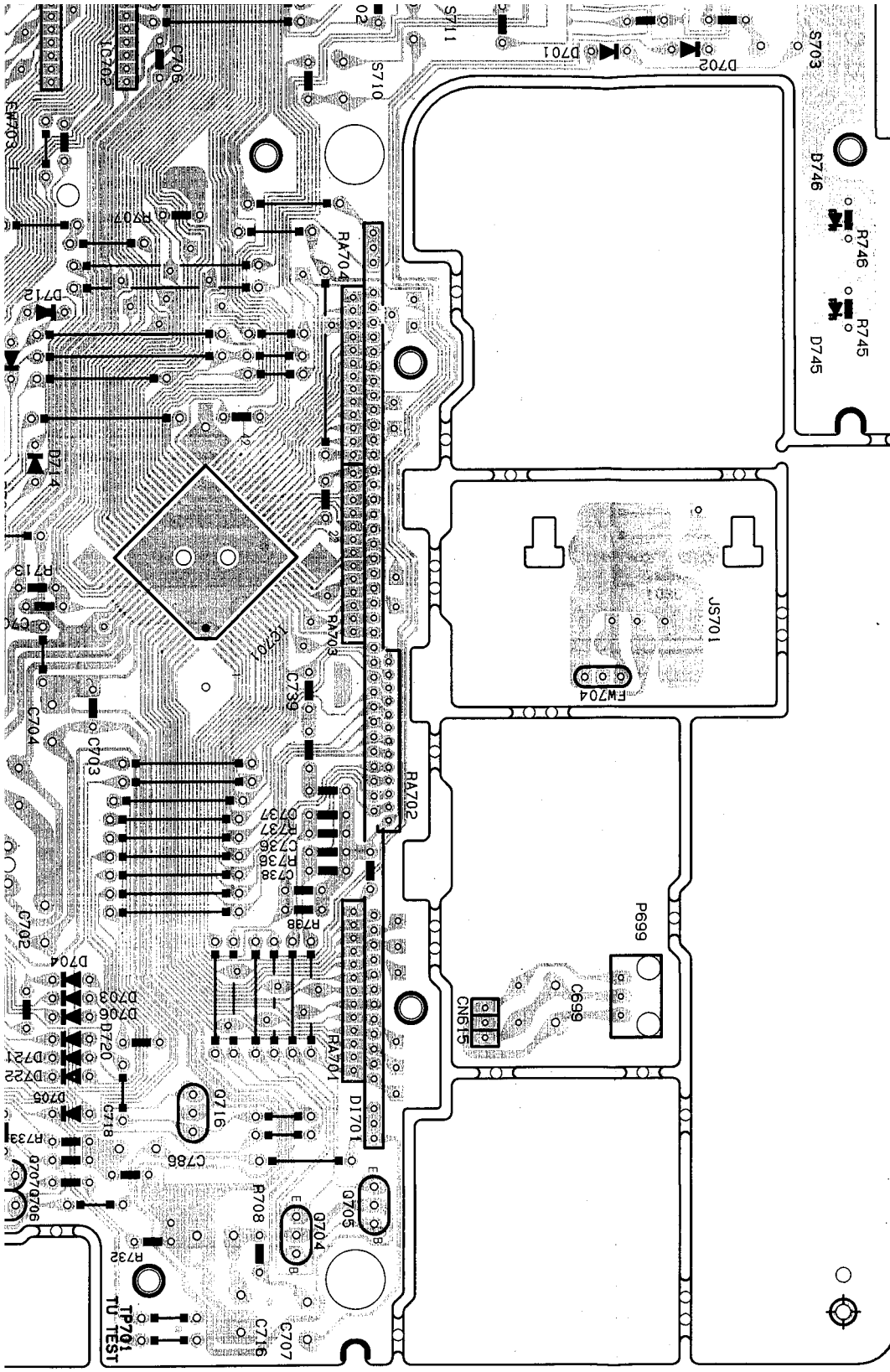


|      |    |      |     |
|------|----|------|-----|
| R682 | 3G | R723 | 5D  |
| R683 | 3G | R724 | 5C  |
| R684 | 3G | R725 | 9D  |
| R686 | 1F | R726 | 9D  |
| R671 | 1F | R727 | 7E  |
| R672 | 1G | R729 | 6D  |
| R681 | 2D | R730 | 9E  |
| R691 | 1F | R731 | 9D  |
| R692 | 2F | R732 | 10F |
| R693 | 1F | R733 | 10F |
| R694 | 1F | R734 | 7E  |
| R695 | 2F | R735 | 8G  |
| R696 | 1G | R737 | 8G  |
| R697 | 2F | R738 | 9G  |
| R699 | 2F | R745 | 6J  |
| R699 | 2F | R746 | 6J  |
| R701 | 4J | R751 | 4B  |
| R702 | 5H | R752 | 4B  |
| R703 | 4J | R753 | 4B  |
| R704 | 5H | R754 | 4B  |
| R705 | 4I | R755 | 3B  |
| R706 | 5H | R756 | 4A  |
| R707 | 6F | R759 | 3A  |

| Symbol | X  | Y     | Symbol | X  | Y |
|--------|----|-------|--------|----|---|
| R761   | 4B | S711  | 5H     | 7C |   |
| R762   | 4B | S712  | 5E     | 5C |   |
| R767   | 3B | S713  | 5D     | 7C |   |
| R768   | 3B | S714  | 6C     | 5C |   |
| R769   | 3B | S715  | 5C     | 6D |   |
| R770   | 3B | S716  | 6D     | 6C |   |
| R771   | 3A | S717  | 6C     | 6C |   |
| R775   | 3B | S718  | 5C     | 7D |   |
| R776   | 4A | S719  | 7D     |    |   |
| R777   | 4A | S720  | 7C     |    |   |
| R778   | 4B | S721  | 5C     |    |   |
| R791   | 9B | S722  | 7D     |    |   |
| R801   | 3D | S723  | 7C     |    |   |
| R802   | 3D | S724  | 5C     |    |   |
| R803   | 2D | S725  | 8D     |    |   |
| R804   | 2D | S726  | 7C     |    |   |
| R805   | 2D | S727  | 4C     |    |   |
| R806   | 2D | S728  | 9D     |    |   |
| R807   | 2D | S729  | 8C     |    |   |
| R808   | 9C | S730  | 4D     |    |   |
| R809   | 9C | TC701 | 8F     |    |   |
| R810   | 4C | TP601 | 3I     |    |   |
| RA701  | 9G | X651  | 3G     |    |   |
| RA702  | 8H | X701  | 8F     |    |   |
| RA703  | 7G |       |        |    |   |
| RA704  | 7G |       |        |    |   |
| S701   | 5J |       |        |    |   |
| S702   | 4J |       |        |    |   |
| S703   | 5J |       |        |    |   |
| S704   | 5I |       |        |    |   |
| S705   | 5I |       |        |    |   |
| S706   | 5J |       |        |    |   |
| S707   | 5I |       |        |    |   |
| S708   | 5I |       |        |    |   |
| S709   | 5J |       |        |    |   |
| S710   | 5G |       |        |    |   |

5 | 6 | 7 | 8 | 9 | 10



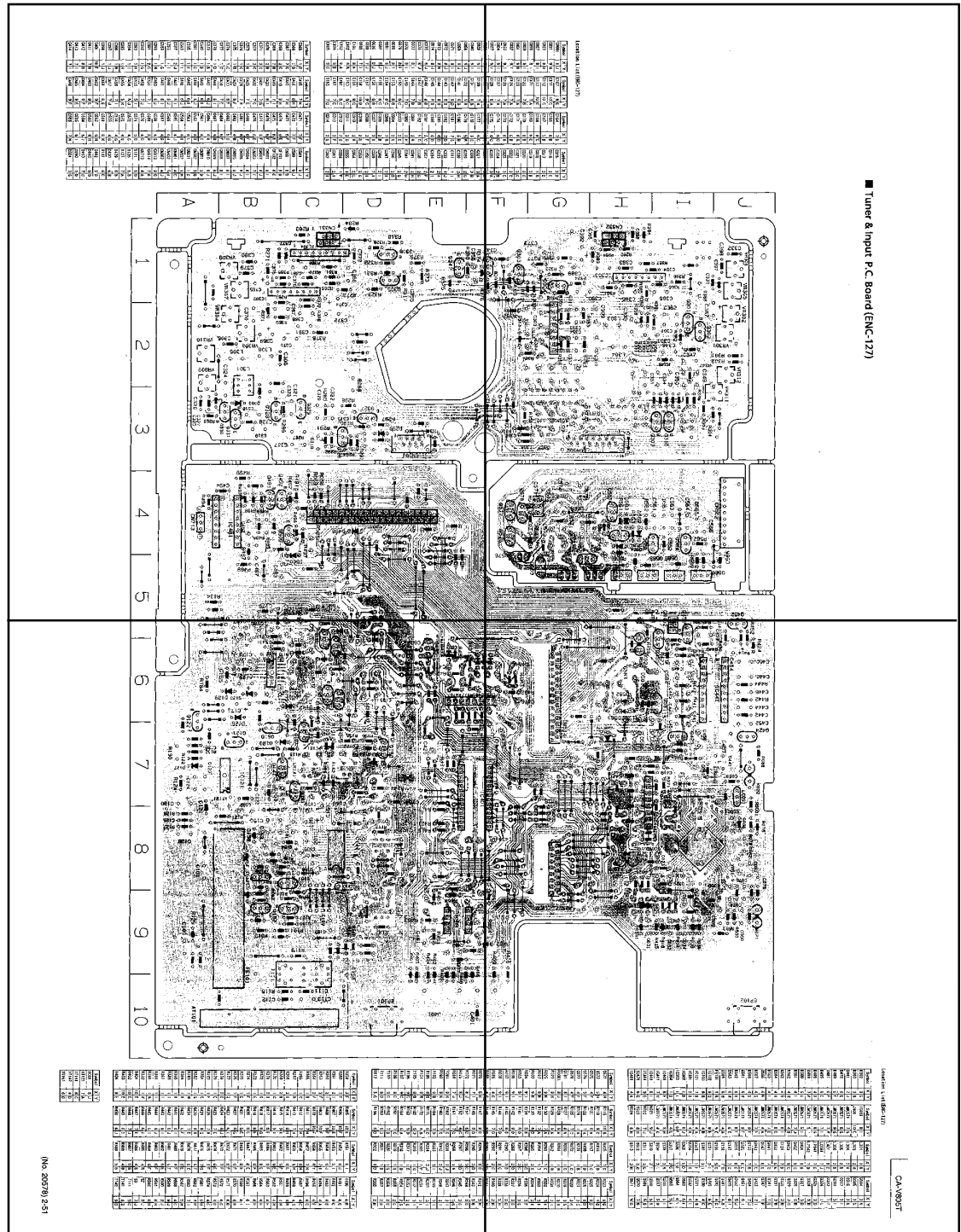


| Symbol | X   | Y    | Symbol | X | Y |
|--------|-----|------|--------|---|---|
| R641   | 2H  | R708 | 10G    |   |   |
| R642   | 2H  | R709 | 5H     |   |   |
| R643   | 1H  | R710 | 4H     |   |   |
| R644   | 1H  | R713 | 7F     |   |   |
| R645   | 1 1 | R714 | 9D     |   |   |
| R646   | 1 1 | R715 | 9D     |   |   |
| R647   | 2H  | R716 | 8D     |   |   |
| R651   | 1H  | R717 | 8D     |   |   |
| R652   | 1H  | R718 | 7D     |   |   |
| R653   | 1H  | R719 | 5C     |   |   |
| R654   | 1H  | R720 | 4D     |   |   |
| R655   | 1G  | R721 | 6D     |   |   |
| R661   | 3G  | R722 | 5D     |   |   |
| R662   | 3G  | R723 | 5D     |   |   |
| R663   | 3G  | R724 | 5C     |   |   |
| R664   | 3G  | R725 | 9D     |   |   |
| R665   | 1E  | R726 | 9D     |   |   |



P2-51-a

P2-51-b

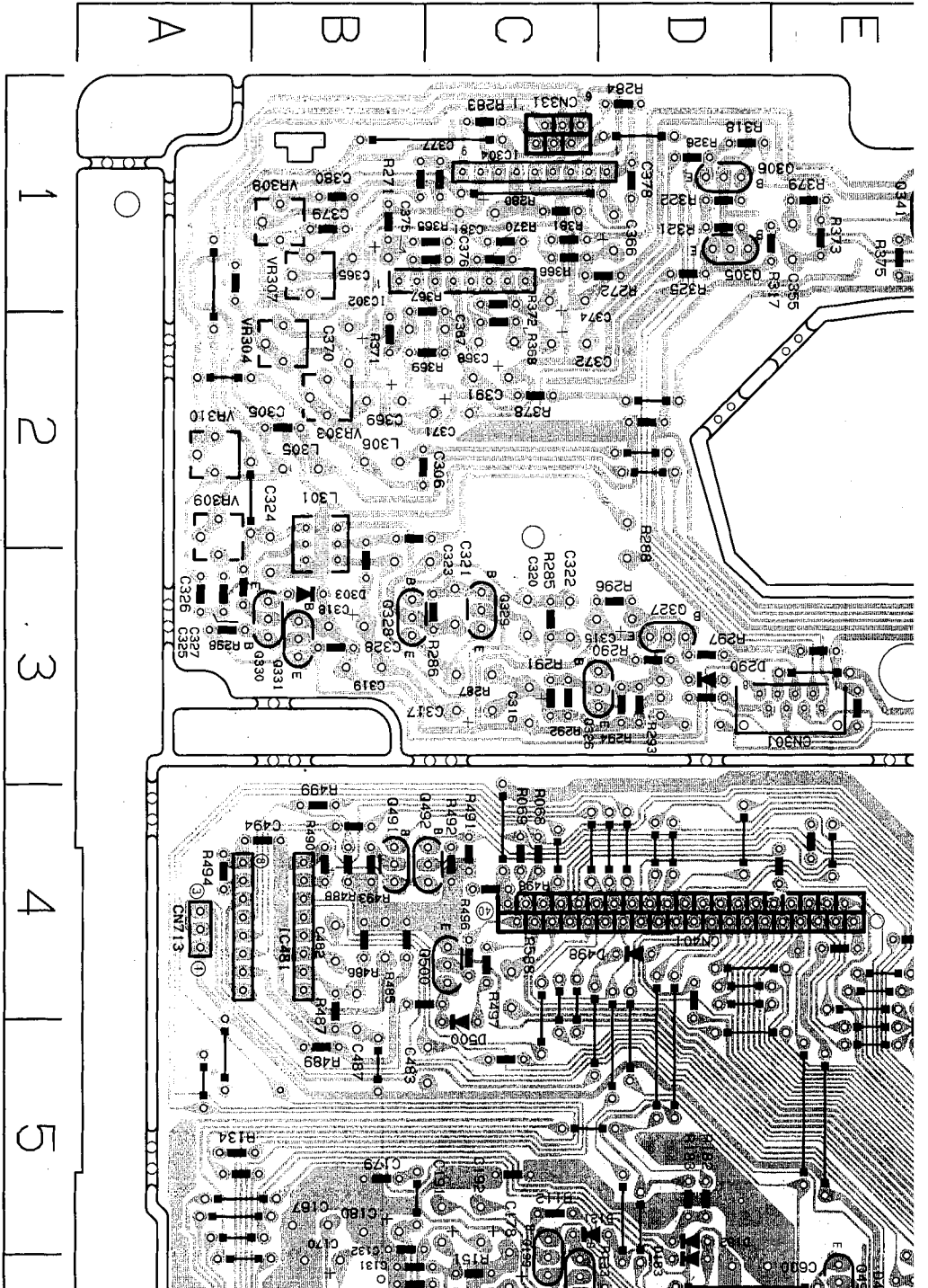


P2-51-c

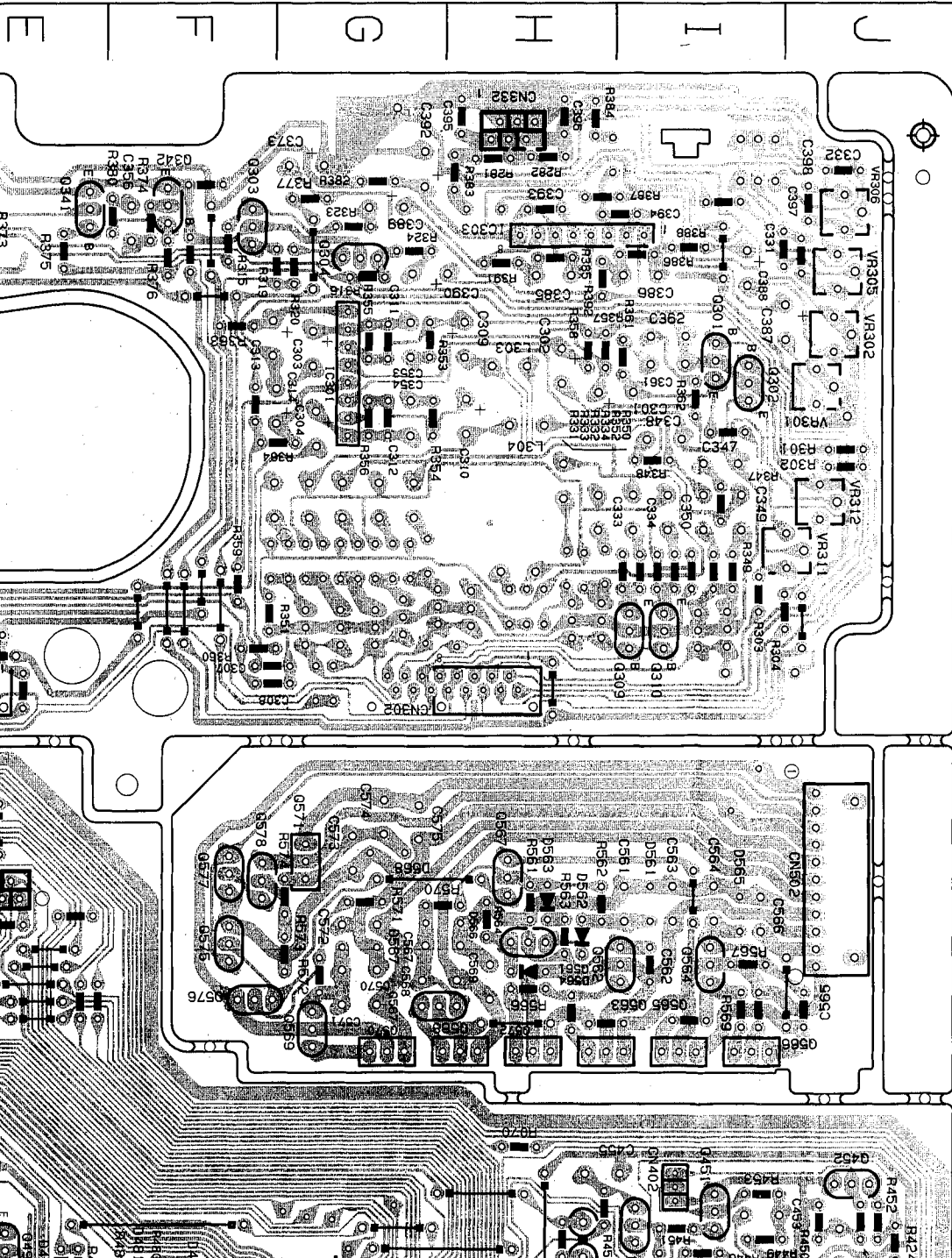
P2-51-d

|      |    |      |     |      |    |      |    |
|------|----|------|-----|------|----|------|----|
| C071 | 81 | D142 | 9D  | C181 | 7C | C331 | 11 |
| C072 | 8J | C143 | 8D  | C182 | 7D | C332 | 1J |
| C073 | 8H | C144 | 8D  | C185 | 6D | C333 | 21 |
| C074 | 8J | C145 | 8D  | C186 | 6D | C334 | 21 |
| C075 | 8J | C146 | 8D  | C191 | 5C | C337 | 2F |
| C076 | 8J | C147 | 7D  | C192 | 5C | C338 | 2G |
| C077 | 81 | C148 | 7D  | C201 | 2H | C341 | 2H |
| C078 | 81 | C149 | 7D  | C202 | 2H | C342 | 2H |
| C079 | 81 | C150 | 8C  | C203 | 2G | C345 | 2G |
| C080 | 81 | C153 | 8B  | C204 | 2G | C346 | 2G |
| C081 | 8J | C154 | 8C  | C205 | 2B | C347 | 21 |
| C082 | 8J | C155 | 8C  | C206 | 2B | C348 | 21 |
| C086 | 8J | C156 | 8B  | C207 | 3G | C349 | 21 |
| C088 | 7J | C157 | 9C  | C208 | 3F | C350 | 21 |
| C089 | 71 | C158 | 10D | C209 | 2H | C353 | 2G |
| C101 | 8A | C159 | 8C  | C310 | 2H | C354 | 2G |
| C102 | 8B | C160 | 8C  | C311 | 2G | C355 | 1E |
| C103 | 9A | C161 | 8C  | C212 | 2G | C358 | 1F |
| C104 | 9B | C162 | 7C  | C313 | 2F | C361 | 21 |
| C105 | 9C | C163 | 7C  | C314 | 2G | C362 | 21 |

|      |     |      |    |      |    |       |    |
|------|-----|------|----|------|----|-------|----|
| C365 | 1B  | C415 | 7H | C471 | 7F | C588  | 9J |
| C366 | 1D  | C416 | 8H | C472 | 7F | C590  | 9J |
| C367 | 2C  | C417 | 7H | C473 | 6F | C600  | 6D |
| C368 | 2C  | C418 | 8H | C474 | 6E | C610  | 8B |
| C369 | 2B  | C419 | 71 | C475 | 6E | C6102 | 8C |
| C370 | 2B  | C420 | 81 | C476 | 6F | C6001 | 81 |
| C372 | 2C  | C421 | 7G | C477 | 6C | C6002 | 8J |
| C373 | 1G  | C422 | 7G | C478 | 6E | C6003 | 71 |
| C374 | 1C  | C423 | 7E | C480 | 6F | C6004 | 81 |
| C375 | 1B  | C424 | 7H | C481 | 6F | C6005 | 8J |
| C376 | 1C  | C425 | 8F | C482 | 4B | C6006 | 8J |
| C377 | 1C  | C426 | 8F | C483 | 5C | C6007 | 81 |
| C378 | 1D  | C431 | 7E | C484 | 6F | C6008 | 81 |
| C379 | 1B  | C441 | 61 | C487 | 4B | C6009 | 8J |
| C380 | 1B  | C442 | 6J | C494 | 4A | C6010 | 8J |
| C381 | 1C  | C443 | 6J | C562 | 41 | C6031 | 3D |
| C385 | 1H  | C445 | 61 | C563 | 41 | C6033 | 1C |
| C386 | 11  | C446 | 6J | C564 | 41 | C6032 | 1H |
| C387 | 2J  | C447 | 61 | C565 | 4J | C6401 | 4C |
| C388 | 11  | C448 | 61 | C566 | 41 | C6402 | 51 |
| C389 | 1G  | C449 | 61 | C567 | 4G | C6502 | 4J |
| C390 | 1H  | C450 | 6J | C568 | 4G | C6513 | 9G |
| C391 | 2C  | C451 | 71 | C559 | 5H | C6514 | 7G |
| C392 | 1G  | C452 | 7J | C570 | 4G | C6713 | 4A |
| C393 | 1H  | C453 | 51 | C571 | 5G | D121  | 5D |
| C394 | 11  | C454 | 6J | C572 | 4G | D126  | 6B |
| C395 | 1H  | C455 | 5R | C573 | 4G | D127  | 7A |
| C396 | 1H  | C456 | 71 | C574 | 4G | D129  | 6B |
| C397 | 1J  | C457 | 7J | C575 | 4G | D130  | 6B |
| C398 | 1J  | C461 | 9E | C581 | 6H | D142  | 6C |
| C401 | 10F | C462 | 9F | C582 | 6H | D182  | 5D |
| C411 | 7H  | C463 | 9E | C583 | 6H | D183  | 6D |
| C412 | 8H  | C464 | 9F | C584 | 61 | D190  | 7C |
| C413 | 71  | C465 | 9E | C585 | 61 | D290  | 3D |
| C414 | 71  | C466 | 9F | C586 | 7H | D301  | 3G |

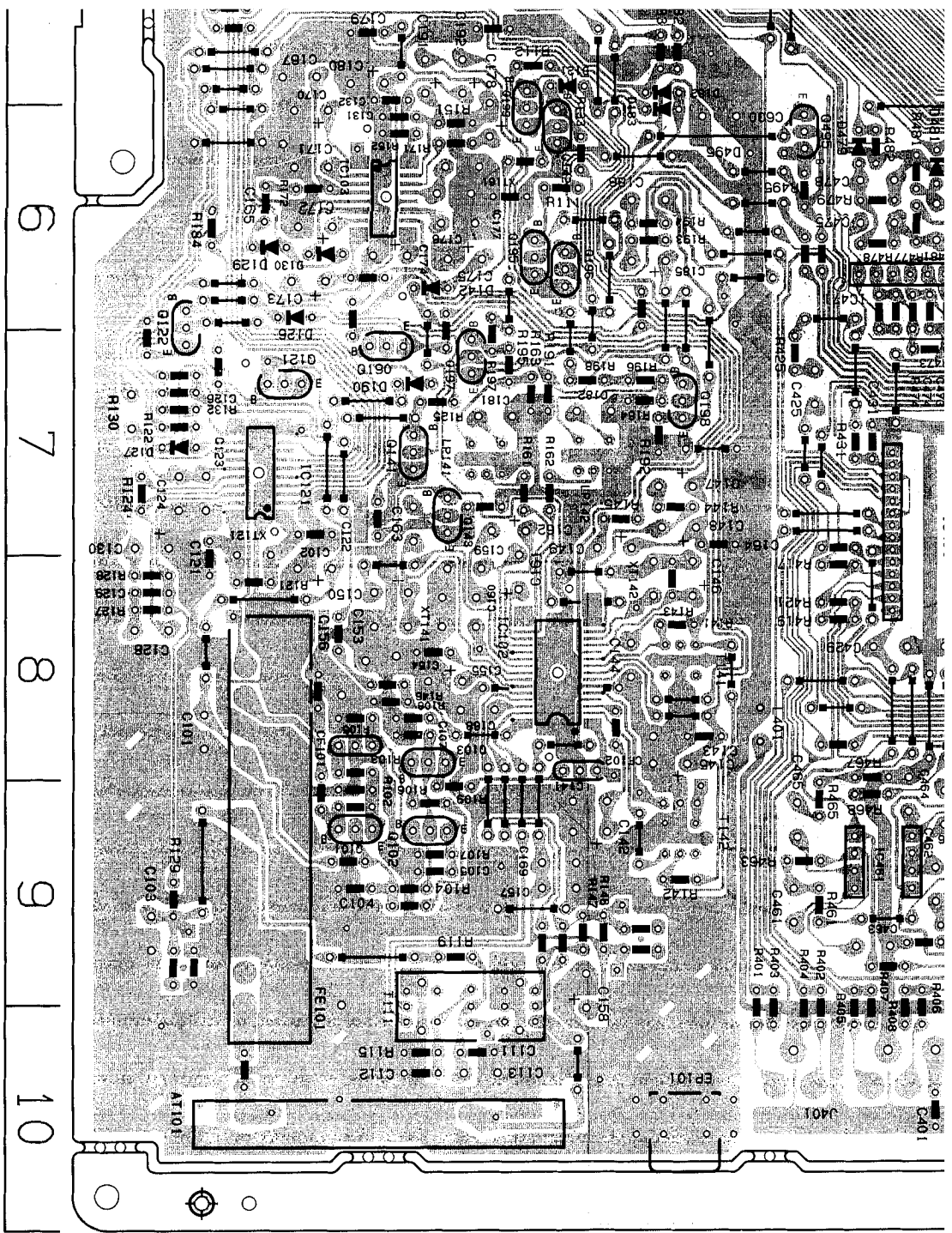


■ Tuner & Input P.C. Board (ENC-127)



Location List (ENC-127)

| Symbol | X | Y | Symbol | X  | Y | Symbol | X | Y | Symbol | X | Y | Symbol | X | Y |
|--------|---|---|--------|----|---|--------|---|---|--------|---|---|--------|---|---|
| 0001   | 8 | J | C107   | 8  | C | C164   | 7 | D | C315   | 3 | D |        |   |   |
| 0071   | 9 | H | C111   | 10 | C | C165   | 6 | B | C316   | 3 | C |        |   |   |
| 0023   | 8 | H | C112   | 10 | C | C167   | 5 | B | C317   | 3 | C |        |   |   |
| 0027   | 8 | I | C113   | 10 | C | C166   | 8 | C | C318   | 3 | B |        |   |   |
| 0029   | 8 | I | C121   | 7  | A | C168   | 9 | C | C319   | 3 | B |        |   |   |
| 0030   | 8 | I | C122   | 7  | B | C170   | 6 | B | C320   | 3 | C |        |   |   |
| 0031   | 9 | H | C123   | 7  | A | C171   | 6 | B | C321   | 3 | C |        |   |   |
| 0032   | 9 | I | C124   | 7  | A | C172   | 6 | B | C322   | 3 | C |        |   |   |
| 0033   | 9 | I | C126   | 7  | A | C173   | 6 | B | C323   | 3 | C |        |   |   |
| 0034   | 9 | I | C127   | 7  | A | C174   | 6 | C | C324   | 2 | B |        |   |   |
| 0037   | 9 | I | C128   | 8  | A | C175   | 6 | C | C325   | 3 | A |        |   |   |
| 0038   | 9 | I | C129   | 8  | A | C176   | 6 | C | C326   | 3 | A |        |   |   |
| 0039   | 9 | I | C130   | 7  | A | C177   | 6 | C | C327   | 3 | A |        |   |   |
| 0040   | 9 | I | C131   | 6  | B | C178   | 6 | C | C328   | 3 | B |        |   |   |
| 0056   | 9 | J | C132   | 5  | B | C179   | 5 | B | C329   | 2 | G |        |   |   |
| 0059   | 9 | J | C141   | 9  | D | C180   | 5 | B | C330   | 3 | H |        |   |   |
| 0071   | 8 | I | C142   | 9  | D | C181   | 7 | C | C331   | 1 | I |        |   |   |
| 0072   | 8 | J | C143   | 9  | D | C182   | 7 | D | C332   | 1 | J |        |   |   |
| 0073   | 8 | H | C144   | 8  | D | C185   | 6 | D | C333   | 2 | I |        |   |   |
| 0074   | 8 | J | C145   | 8  | D | C186   | 6 | D | C334   | 2 | I |        |   |   |

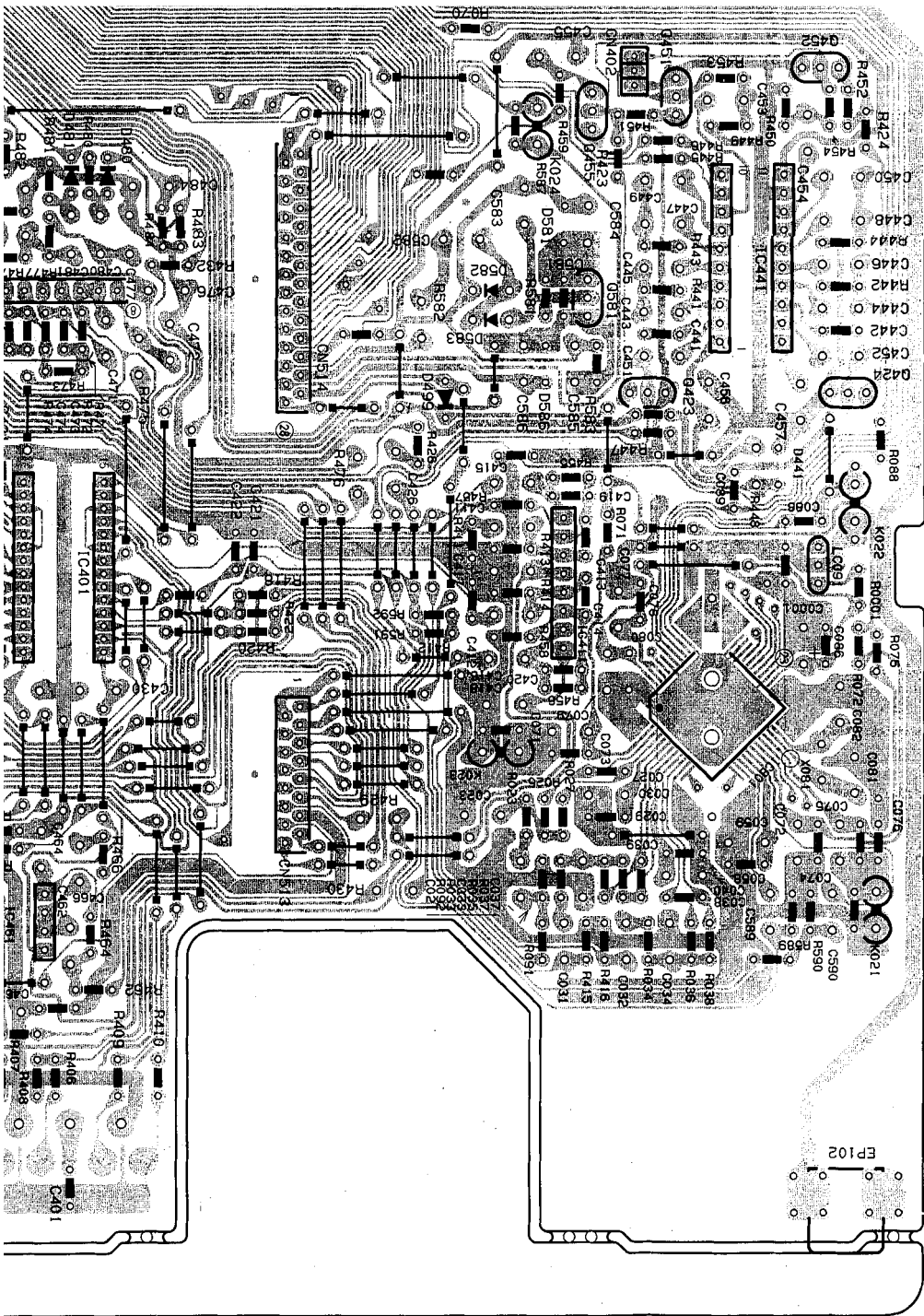


|      |    |      |    |      |    |      |    |
|------|----|------|----|------|----|------|----|
| R070 | 3F | R147 | 9D | R298 | 3D | R442 | 3H |
| R071 | 7I | R148 | 9D | R299 | 3D | R443 | 3G |
| R072 | 8J | R151 | 6C | R300 | 3C | R444 | 3G |
| R075 | 8J | R152 | 6C | R301 | 3D | R445 | 3G |
| R088 | 7J | R151 | 7C | R308 | 3A | R446 | 3G |
| R091 | 9H | R152 | 7C | R309 | 2J | R447 | 2I |
| R092 | 9H | R153 | 7C | R310 | 2J | R448 | 2I |
| R102 | 9B | R154 | 7D | R303 | 3I | R449 | 3I |
| R103 | 8B | R171 | 6C | R304 | 3J | R450 | 3I |
| R104 | 9B | R172 | 6B | R315 | 1F | R451 | 3F |
| R105 | 8B | R182 | 5D | R316 | 1G | R452 | 3I |
| R106 | 9C | R183 | 5D | R317 | 1E | R453 | 2G |
| R107 | 9C | R184 | 6A | R318 | 1D | R454 | 2G |
| R108 | 8C | R191 | 7C | R319 | 1G | R455 | 2G |
| R109 | 9C | R192 | 7D | R320 | 1G | R456 | 2G |
| R111 | 6D | R193 | 6D | R321 | 1D | R457 | 2H |
| R112 | 5C | R194 | 6D | R322 | 1D | R458 | 2H |
|      |    |      |    | R323 | 1D | R459 | 2H |

|      |     |      |     |      |    |      |    |
|------|-----|------|-----|------|----|------|----|
| R359 | 3F  | R505 | 10E | R651 | 6I | R800 | 4B |
| R360 | 3F  | R506 | 10F | R652 | 6J | R801 | 4C |
| R361 | 2I  | R507 | 10E | R653 | 5I | R802 | 4C |
| R362 | 2I  | R508 | 9F  | R654 | 6J | R803 | 4B |
| R363 | 2F  | R509 | 10F | R655 | 7I | R804 | 4A |
| R364 | 2F  | R510 | 10F | R656 | 8I | R805 | 6E |
| R365 | 1B  | R511 | 7H  | R657 | 7H | R806 | 4C |
| R366 | 1C  | R512 | 7H  | R658 | 8H | R807 | 4C |
| R367 | 1B  | R513 | 7H  | R659 | 6H | R808 | 4C |
| R368 | 2C  | R514 | 8H  | R660 | 9E | R809 | 4B |
| R369 | 2B  | R515 | 9I  | R661 | 9F | R810 | 4H |
| R370 | 1C  | R516 | 9I  | R662 | 9E | R811 | 4H |
| R371 | 2B  | R517 | 8E  | R663 | 9F | R812 | 4H |
| R372 | 1C  | R518 | 8G  | R664 | 9E | R813 | 4H |
| R373 | 1E  | R519 | 8E  | R665 | 9F | R814 | 4H |
| R374 | 1F  | R520 | 8G  | R666 | 9F | R815 | 4H |
| R375 | 1E  | R521 | 8E  | R667 | 8E | R816 | 4I |
| R376 | 1F  | R522 | 8G  | R668 | 9E | R817 | 4I |
| R377 | 1G  | R523 | 6I  | R669 | 9E | R818 | 4G |
| R378 | 2C  | R524 | 6J  | R670 | 9E | R819 | 4G |
| R379 | 1E  | R525 | 7E  | R671 | 6F | R820 | 4G |
| R380 | 1F  | R526 | 7H  | R672 | 7E | R821 | 4G |
| R381 | 1C  | R527 | 8G  | R673 | 7F | R822 | 4G |
| R382 | 1G  | R528 | 9H  | R674 | 7E | R823 | 4G |
| R383 | 1H  | R529 | 7E  | R675 | 6E | R824 | 4G |
| R384 | 1H  | R530 | 6F  | R676 | 7G | R825 | 6H |
| R385 | 1H  | R531 | 6I  | R677 | 6E | R826 | 6H |
| R386 | 1I  | R532 | 6I  | R678 | 6E | R827 | 7I |
| R387 | 1I  | R533 | 6I  | R679 | 6E | R828 | 5H |
| R388 | 1I  | R534 | 6J  | R680 | 6F | R829 | 4C |
| R391 | 1H  | R535 | 6I  | R681 | 6F | R830 | 9J |
| R392 | 1H  | R536 | 6I  | R682 | 6E | R831 | 8H |
| R401 | 10E | R537 | 7I  | R683 | 6F | R832 | 8H |
| R402 | 10E | R538 | 7J  | R684 | 6F | R833 | 8H |
| R403 | 10E | R539 | 7J  | R685 | 6F | R834 | 8H |
| R404 | 10E | R540 | 6I  | R686 | 4B | R835 | 9C |
|      |     |      |     | R687 | 5B | R836 | 8D |
|      |     |      |     | R688 | 4B | R837 | 8D |
|      |     |      |     | R689 | 5B | R838 | 9D |

|        |    |   |
|--------|----|---|
| Symbol | X  | Y |
| X081   | 8J |   |
| X1121  | 7A |   |
| X1141  | 8C |   |
| X1142  | 8D |   |
| X1161  | 6C |   |

(No. 20578) 2-51



Location List (ENC-127)

| Symbol | X   | Y      | Symbol | X     | Y   | Symbol | X   | Y | Symbol | X | Y | Symbol | X | Y |
|--------|-----|--------|--------|-------|-----|--------|-----|---|--------|---|---|--------|---|---|
| 0302   | 3 G | 1080   | 8 I    | L301  | 2 B | 0314   | 3 H |   |        |   |   |        |   |   |
| 0303   | 3 B | L401   | 10 E   | L303  | 2 H | 0315   | 3 G |   |        |   |   |        |   |   |
| 0441   | 7 J | JM0571 | 7 G    | L304  | 2 H | 0316   | 3 G |   |        |   |   |        |   |   |
| 0479   | 6 E | JM0571 | 6 G    | L305  | 2 B | 0317   | 3 I |   |        |   |   |        |   |   |
| 0480   | 6 F | JM0571 | 9 G    | L306  | 2 B | 0318   | 3 I |   |        |   |   |        |   |   |
| 0481   | 6 F | JM0571 | 7 H    | L401  | 8 E | 0323   | 3 I |   |        |   |   |        |   |   |
| 0485   | 6 E | JM0571 | 7 I    | L0991 | 7 J | 0324   | 1 I |   |        |   |   |        |   |   |
| 0488   | 4 D | JM0571 | 8 G    | LP141 | 7 C | 0325   | 3 D |   |        |   |   |        |   |   |
| 0499   | 7 H | JM0571 | 5 I    | LP142 | 7 D | 0326   | 3 D |   |        |   |   |        |   |   |
| 0500   | 5 C | JM0571 | 5 I    | 0101  | 9 B | 0327   | 3 D |   |        |   |   |        |   |   |
| 0551   | 4 I | JM0571 | 7 J    | 0102  | 9 C | 0328   | 3 B |   |        |   |   |        |   |   |
| 0552   | 4 H | JM0571 | 4 B    | 0103  | 8 C | 0329   | 3 C |   |        |   |   |        |   |   |
| 0553   | 4 H | JM0571 | 6 I    | 0121  | 7 B | 0330   | 3 B |   |        |   |   |        |   |   |
| 0554   | 4 H | JM0571 | 8 E    | 0122  | 6 A | 0331   | 3 B |   |        |   |   |        |   |   |
| 0555   | 4 I | JM0571 | 7 E    | 0141  | 7 C | 0341   | 1 E |   |        |   |   |        |   |   |
| 0556   | 4 H | JM0571 | 4 A    | 0142  | 6 C | 0342   | 1 F |   |        |   |   |        |   |   |
| 0567   | 4 G | JM0571 | 7 F    | 0143  | 7 C | 0323   | 7 I |   |        |   |   |        |   |   |
| 0568   | 4 G | JM0571 | 9 F    | 0190  | 7 B | 0424   | 7 J |   |        |   |   |        |   |   |
| 0581   | 6 H | JM0571 | 8 F    | 0195  | 6 C | 0451   | 6 J |   |        |   |   |        |   |   |
| 0582   | 6 H | JM0571 | 8 F    | 0196  | 6 C | 0452   | 5 J |   |        |   |   |        |   |   |
| 0583   | 6 H | JM0571 | 6 E    | 0197  | 7 C | 0455   | 6 I |   |        |   |   |        |   |   |
| 0586   | 6 H | JM0571 | 4 A    | 0198  | 7 D | 0491   | 4 B |   |        |   |   |        |   |   |
| FE101  | 9 B | JM0571 | 9 E    | 0199  | 5 C | 0492   | 4 B |   |        |   |   |        |   |   |
| IC102  | 8 C | JM0571 | 9 E    | 0201  | 2 I | 0495   | 6 E |   |        |   |   |        |   |   |
| IC103  | 6 B | JM0571 | 4 B    | 0202  | 2 I | 0500   | 4 G |   |        |   |   |        |   |   |
| IC121  | 7 B | JM0571 | 4 A    | 0203  | 1 F | 0501   | 4 H |   |        |   |   |        |   |   |
| IC301  | 2 G | JM0571 | 4 A    | 0204  | 1 G | 0502   | 4 I |   |        |   |   |        |   |   |
| IC302  | 1 B | JM0571 | 6 J    | 0205  | 1 D | 0505   | 5 I |   |        |   |   |        |   |   |
| IC303  | 1 I | JM0571 | 6 F    | 0206  | 1 D | 0506   | 4 I |   |        |   |   |        |   |   |
| IC304  | 1 D | JM0571 | 4 E    | 0207  | 3 G | 0505   | 5 I |   |        |   |   |        |   |   |
| IC401  | 8 E | JM0571 | 8 H    | 0208  | 3 H | 0506   | 5 I |   |        |   |   |        |   |   |
| IC411  | 7 H | JM0571 | 4 C    | 0209  | 3 I | 0507   | 5 H |   |        |   |   |        |   |   |
| IC441  | 6 I | K021   | 9 J    | 0310  | 3 I | 0508   | 5 H |   |        |   |   |        |   |   |
| IC461  | 9 E | K022   | 7 J    | 0311  | 3 G | 0509   | 5 G |   |        |   |   |        |   |   |
| IC471  | 6 E | K023   | 8 H    | 0312  | 3 G | 0510   | 5 G |   |        |   |   |        |   |   |
| IC481  | 4 A | K024   | 6 H    | 0313  | 3 H | 0511   | 4 B |   |        |   |   |        |   |   |
| 0572   | 4 H | R115   | 10 B   | R195  | 7 C | R224   | 1 G |   |        |   |   |        |   |   |
| 0573   | 5 H | R119   | 9 C    | R196  | 7 D | R224   | 1 G |   |        |   |   |        |   |   |
| 0575   | 4 F | R121   | 8 A    | R197  | 7 C | R225   | 1 D |   |        |   |   |        |   |   |
| 0576   | 5 F | R122   | 7 A    | R198  | 7 D | R226   | 1 D |   |        |   |   |        |   |   |
| 0577   | 4 F | R124   | 7 A    | R271  | 1 B | R227   | 3 G |   |        |   |   |        |   |   |
| 0578   | 4 F | R125   | 7 C    | R272  | 1 C | R228   | 3 H |   |        |   |   |        |   |   |
| 0581   | 6 I | R127   | 8 A    | R280  | 1 C | R229   | 3 G |   |        |   |   |        |   |   |
| R0001  | 8 J | R128   | 8 A    | R281  | 1 H | R230   | 3 H |   |        |   |   |        |   |   |
| R002   | 9 H | R129   | 9 A    | R282  | 1 H | R231   | 3 I |   |        |   |   |        |   |   |
| R003   | 9 H | R130   | 7 A    | R283  | 1 C | R232   | 3 I |   |        |   |   |        |   |   |
| R007   | 8 H | R132   | 7 A    | R284  | 1 D | R233   | 3 I |   |        |   |   |        |   |   |
| R008   | 9 H | R133   | 6 D    | R285  | 3 C | R234   | 3 I |   |        |   |   |        |   |   |
| R009   | 9 H | R134   | 5 B    | R286  | 3 C | R235   | 3 F |   |        |   |   |        |   |   |
| R034   | 9 I | R141   | 8 D    | R287  | 3 C | R236   | 3 G |   |        |   |   |        |   |   |
| R035   | 9 I | R142   | 9 D    | R288  | 2 D | R237   | 3 G |   |        |   |   |        |   |   |
| R036   | 9 I | R143   | 8 D    | R290  | 3 D | R238   | 3 G |   |        |   |   |        |   |   |
| R038   | 9 I | R144   | 7 D    | R291  | 3 C | R239   | 3 H |   |        |   |   |        |   |   |
| R068   | 4 C | R145   | 7 D    | R292  | 3 C | R240   | 3 H |   |        |   |   |        |   |   |
| R069   | 4 C | R146   | 8 B    | R293  | 3 D | R241   | 3 H |   |        |   |   |        |   |   |
| R070   | 5 H | R147   | 9 D    | R294  | 3 D | R242   | 3 H |   |        |   |   |        |   |   |
| R071   | 7 I | R148   | 9 D    | R295  | 3 D | R243   | 3 G |   |        |   |   |        |   |   |
| R075   | 8 J | R151   | 6 C    | R296  | 3 C | R244   | 3 G |   |        |   |   |        |   |   |
| R076   | 8 J | R152   | 6 C    | R297  | 3 D | R245   | 3 G |   |        |   |   |        |   |   |

Location List (ENC-127)

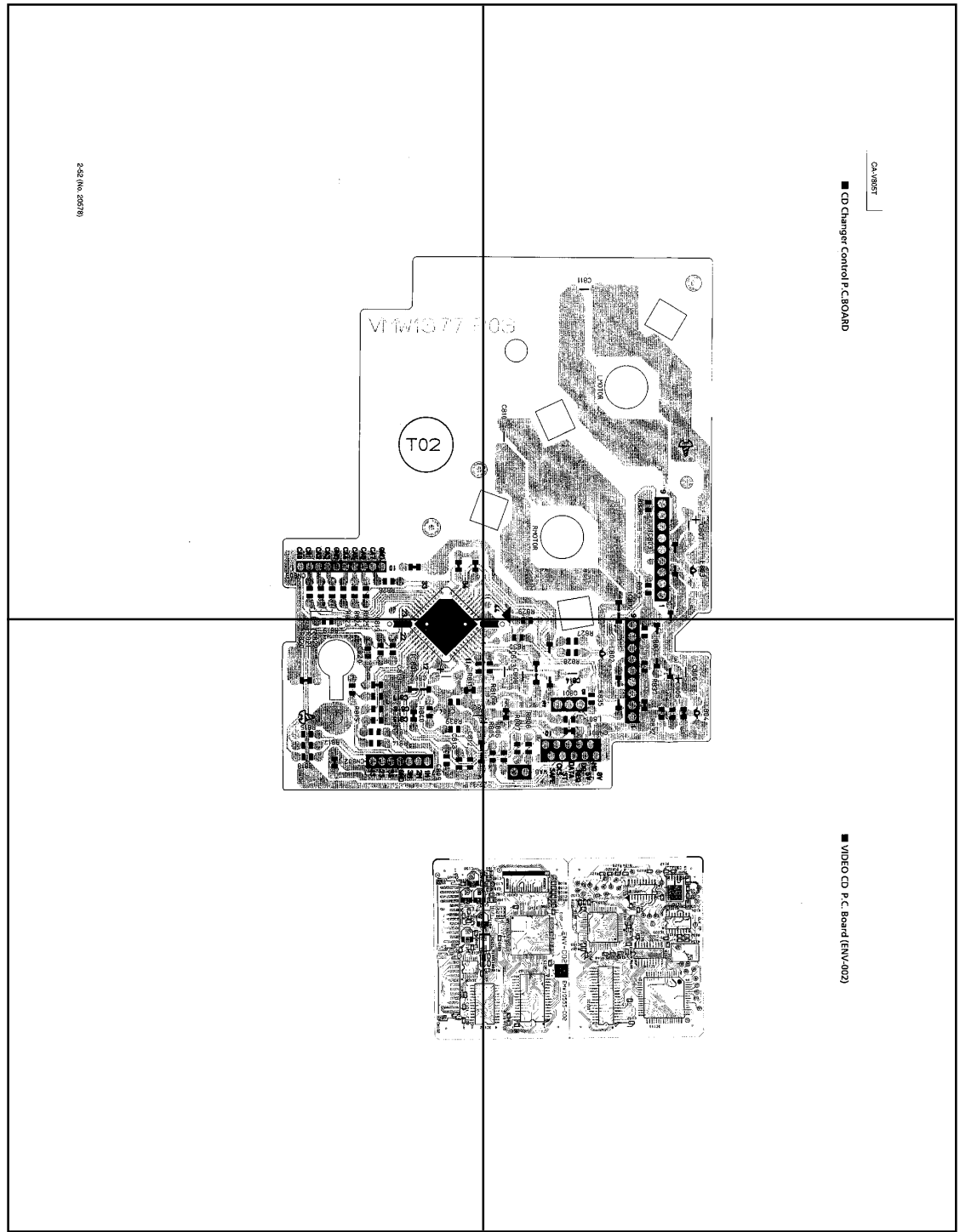
CA-V805T





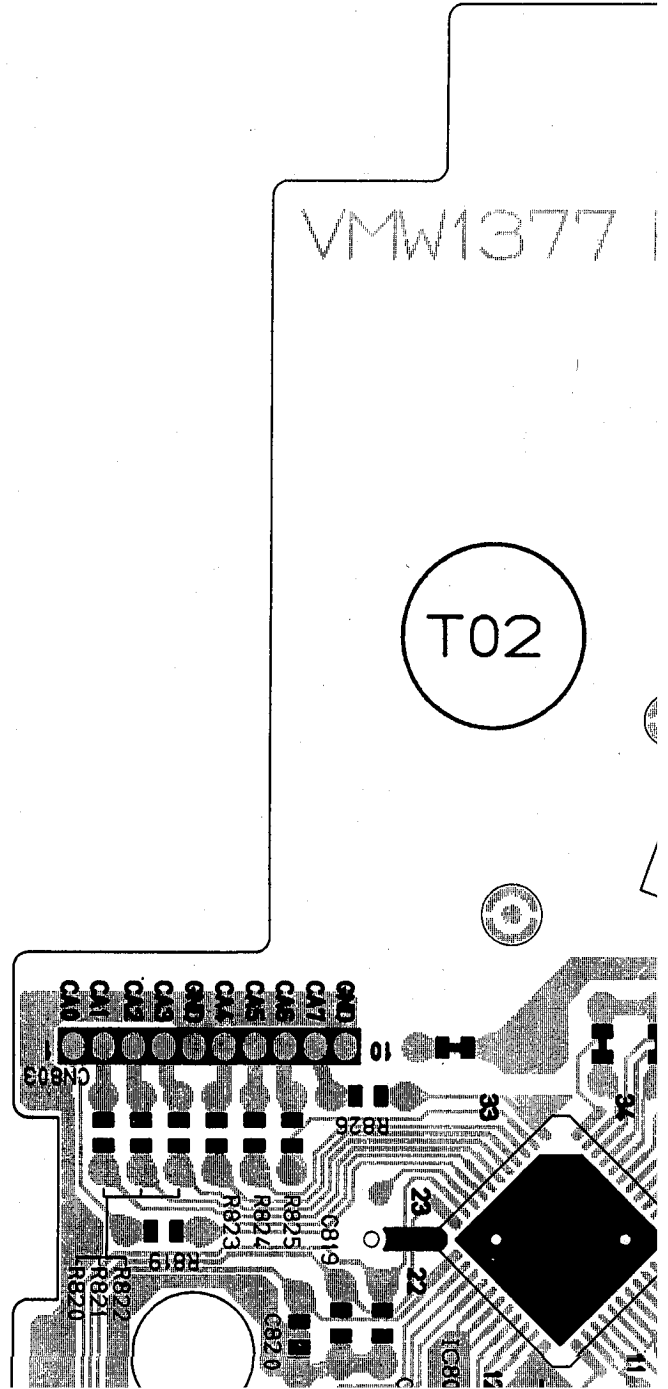
P2-52-a

P2-52-b

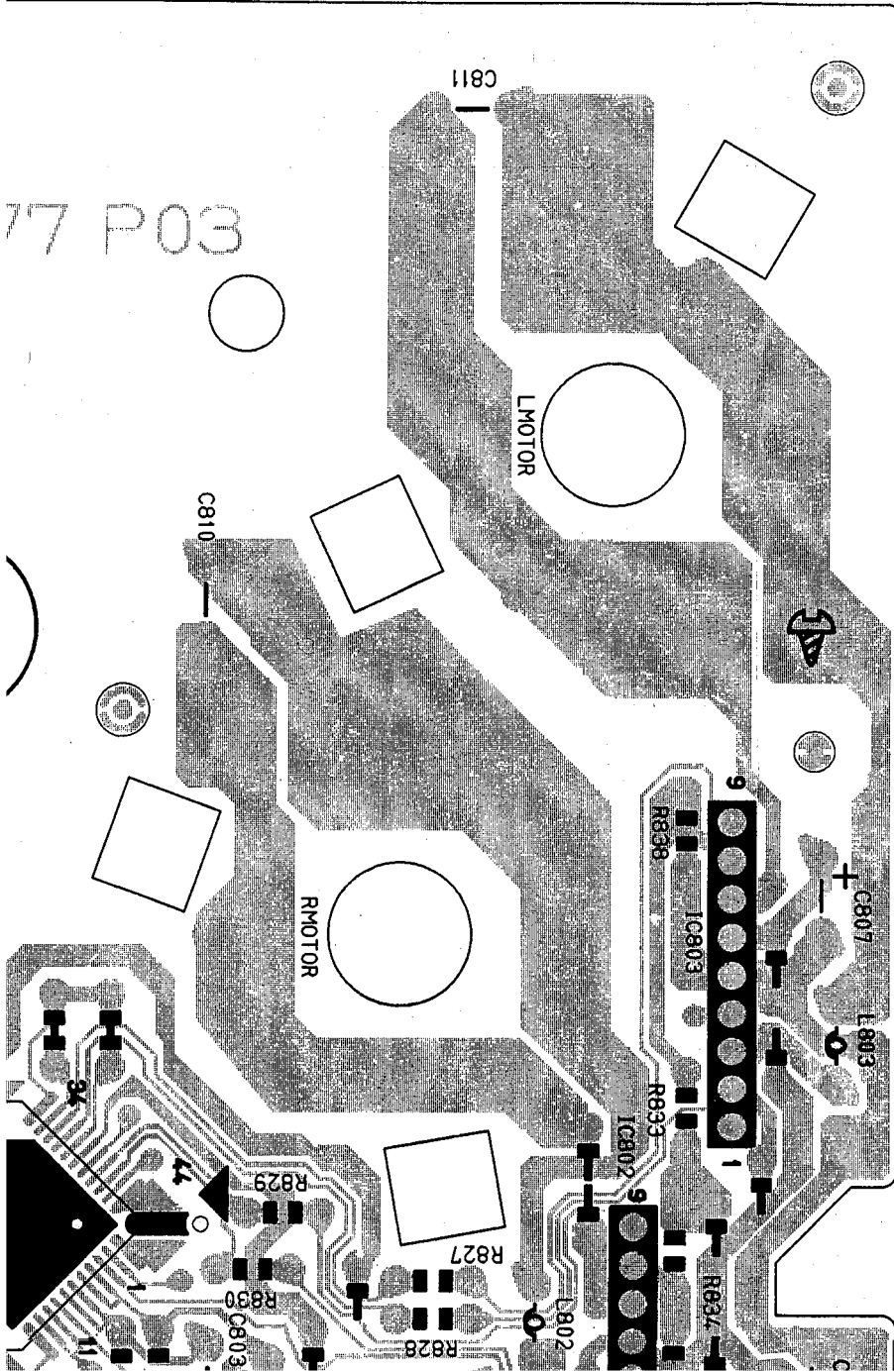


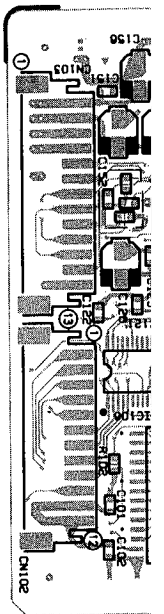
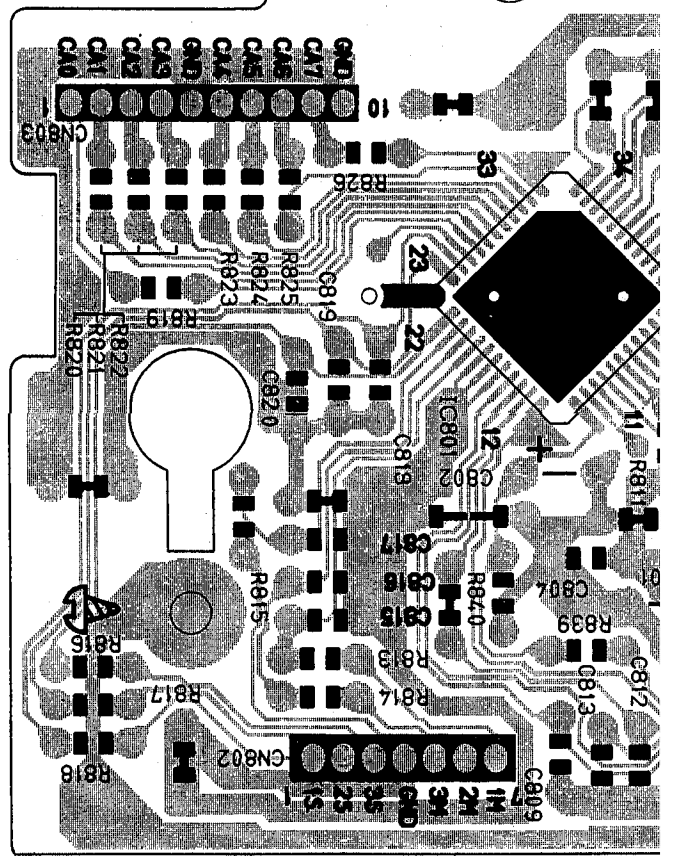
P2-52-c

P2-52-d

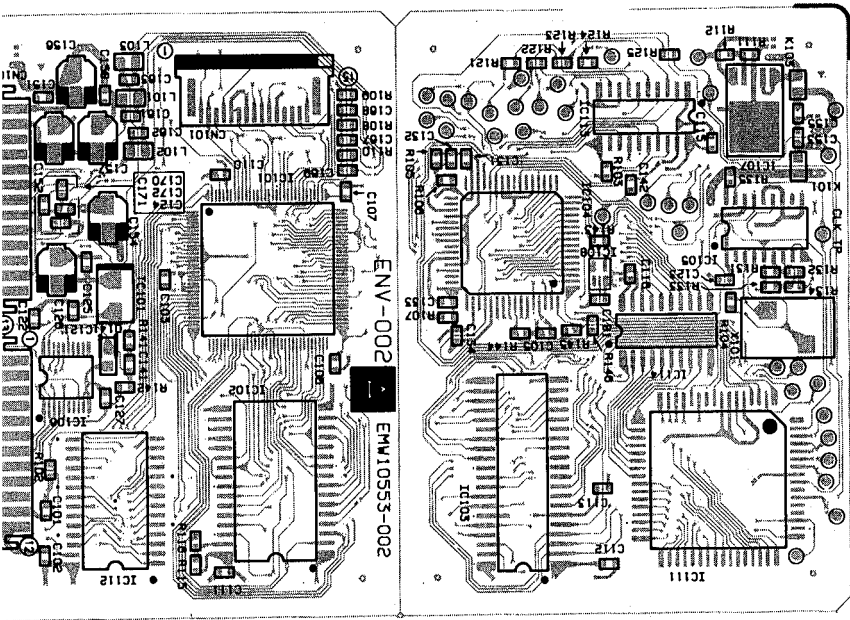
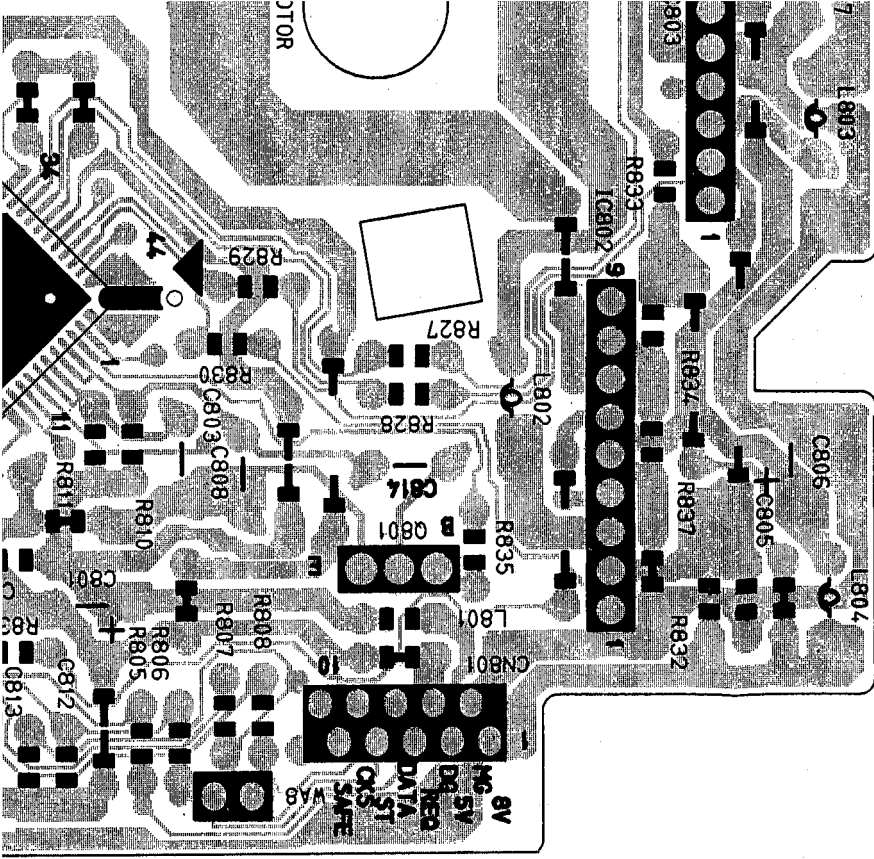


CD Changer Control P.C. BOARD





VIDEO CD P.C. Board (ENV-002)





# PARTS LIST

\* All printed circuit boards and its assemblies are not available as service parts.

## The Markes for Dasignated Areas

UB . . . Hong Kong      U . . . Universal Type      US . . . Singapore      UT . . . Taiwan

No markes indicates all areas.

### - Contents -

|   |      |
|---|------|
| General Exploded View and Parts List . . . . .      | 3-3  |
| Cassette Mechanism Ass'y and Parts List . . . . .   | 3-7  |
| ■ Grease Point . . . . .                            | 3-7  |
| CD Changer Mechanism Ass'y and Parts List . . . . . | 3-9  |
| ■ Grease Point . . . . .                            | 3-9  |
| CD Mechanism Ass'y and Parts List . . . . .         | 3-11 |
| ■ Grease Point . . . . .                            | 3-11 |
| Electrical Parts List . . . . .                     | 3-12 |
| (ENH-271) . . . . .                                 | 3-12 |
| (ENC-127) . . . . .                                 | 3-15 |
| (ENB-219) . . . . .                                 | 3-20 |
| (C3 Mecha.) . . . . .                               | 3-22 |
| (ENV-002) . . . . .                                 | 3-23 |
| Accessories List . . . . .                          | 3-23 |
| Packing Materials and Part Numbers . . . . .        | 3-24 |

)

)

)

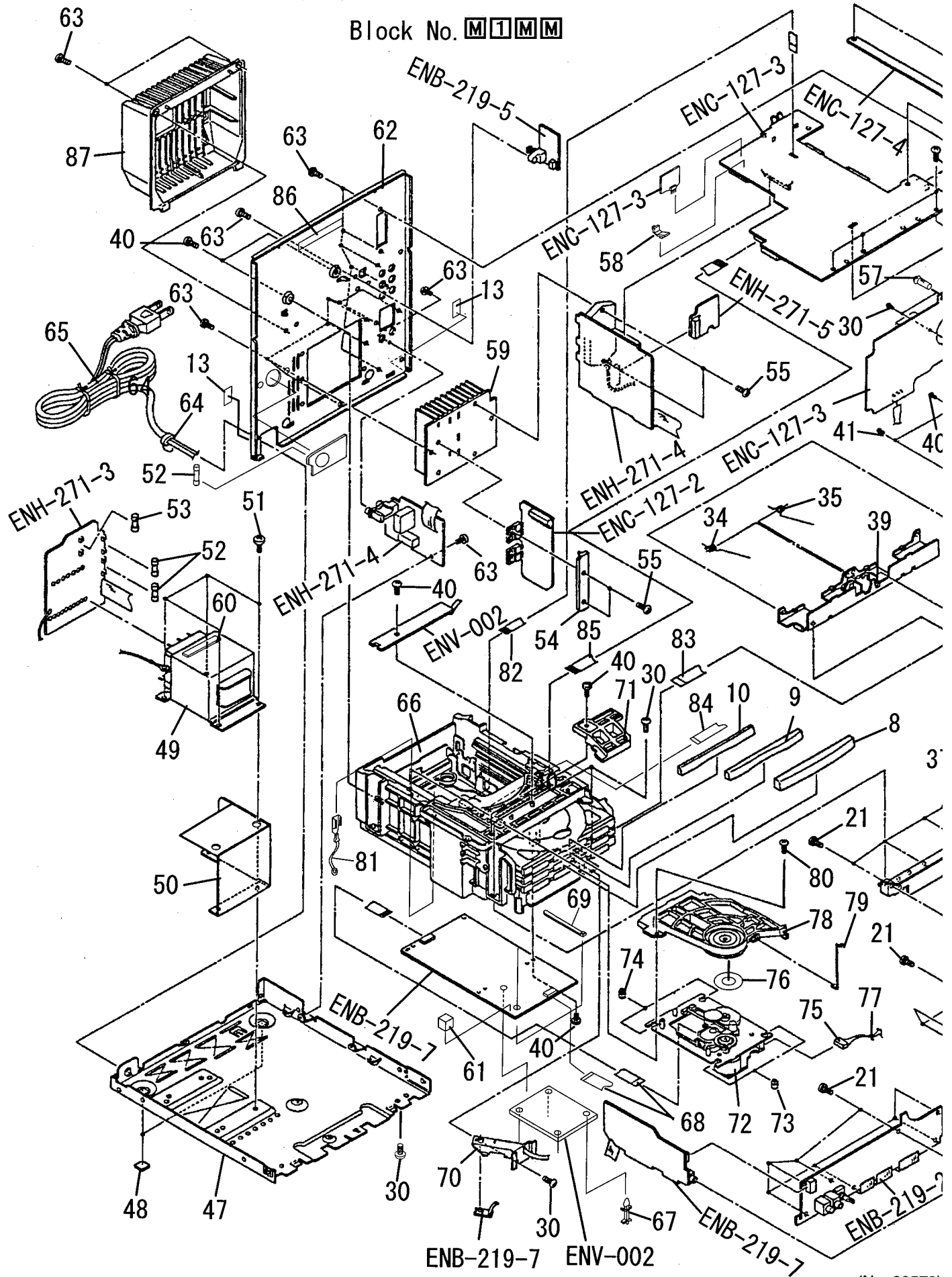
)

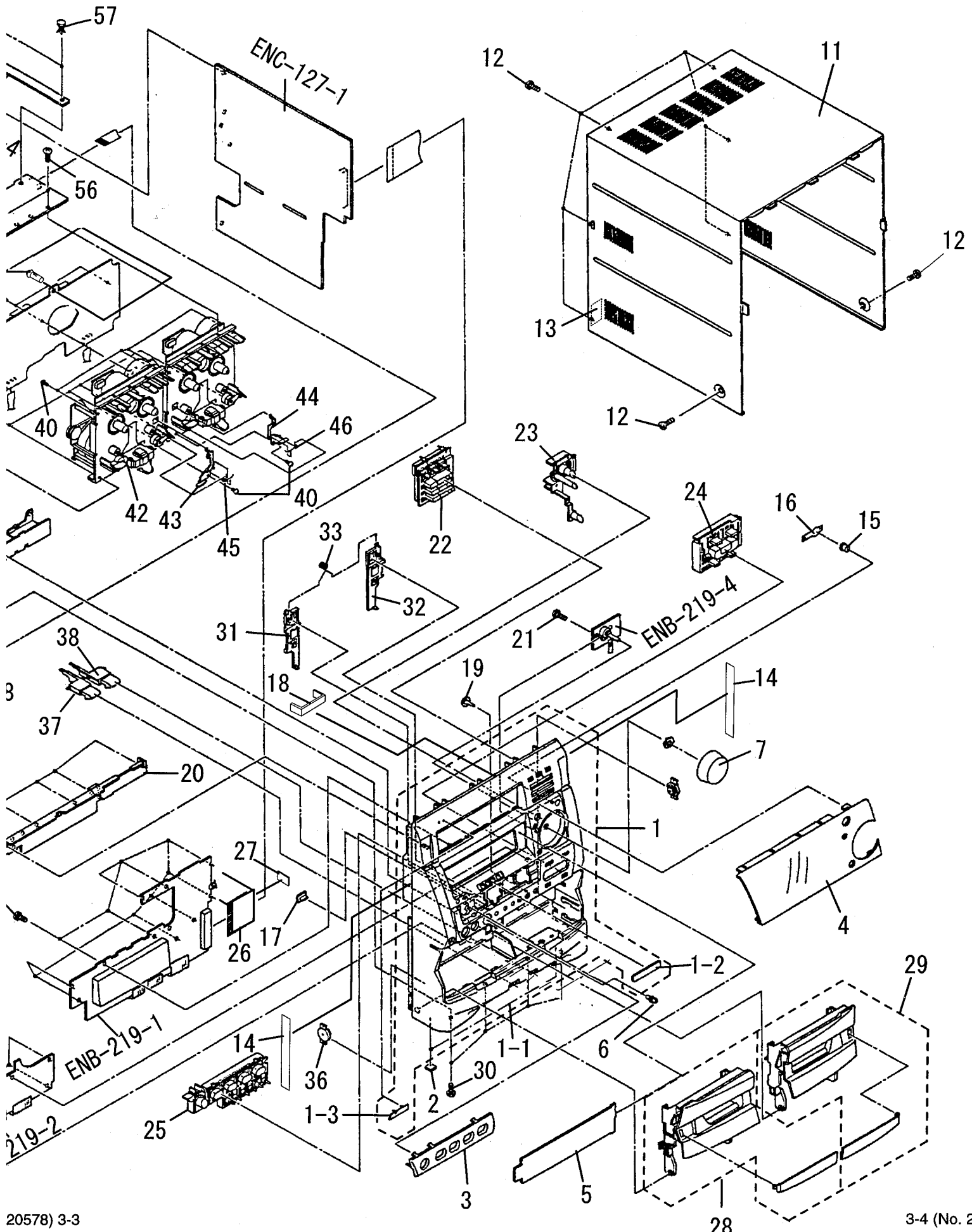
)





# General Exploded View and Parts List





## ■ Parts List

Block No. **M1M1M1**

| △ | Item | Parts Number    | Parts Name              | Q'ty | Description               | Area |
|---|------|-----------------|-------------------------|------|---------------------------|------|
|   | 1    | EFP-CAV805TU(S) | FRONT PANEL ASSY        | 1    |                           |      |
|   | 1-1  | E103052-013SM   | FRONT PANEL             | 1    |                           |      |
|   | 1-2  | E309487-001SM   | INDICATOR PLATE         | 1    |                           |      |
|   | 1-3  | E406971-221     | JVC MARK                | 1    |                           |      |
|   | 2    | E75896-001      | SPACER                  | 2    |                           |      |
|   | 3    | E208634-001SM   | ORNAMENT PLATE          | 1    |                           |      |
|   | 4    | E208574-009SM   | WINDOW SCREEN           | 1    |                           |      |
|   | 5    | E309498-001     | FL SCREEN               | 1    |                           |      |
|   | 6    | E408765-003SM   | VOLUME KNOB             | 1    |                           |      |
|   | 7    | E309501-002SM   | VOLUME KNOB             | 1    |                           |      |
|   | 8    | E208593-002SM   | CD FITTING              | 1    |                           |      |
|   | 9    | E208595-002SM   | CD FITTING              | 1    |                           |      |
|   | 10   | E208597-002SM   | CD FITTING              | 1    |                           |      |
|   | 11   | E103056-003SM   | METAL COVER             | 1    |                           |      |
|   | 12   | SDSG3006M       | TAPPING SCREW           | 8    |                           |      |
|   | 13   | E306805-164     | SPACER                  | 2    |                           |      |
|   | 14   | E306805-174     | SPACER                  | 2    |                           |      |
|   | 15   | E408733-001SM   | REMOTE CONTROL WINDOW   | 1    |                           |      |
|   | 16   | E408937-001SM   | REMOCON SCREEN          | 1    |                           |      |
|   | 17   | E408759-001SM   | POWER INDICATOR         | 1    | POWER                     |      |
|   | 18   | E408762-001SM   | INDICATOR LENS          | 1    | V-CD                      |      |
|   | 19   | E408760-001SM   | INDICATOR LENS          | 1    | REC                       |      |
|   | 20   | E309495-002SM   | STAY BRACKET            | 1    |                           |      |
|   | 21   | SDSF2608Z       | SCREW                   | 24   |                           |      |
|   | 22   | E208578-002     | PUSH BUTTON             | 1    | 3-CD                      |      |
|   | 23   | E208627-001SM   | PUSH BUTTON             | 1    | BASS                      |      |
|   | 24   | E208582-004     | PUSH BUTTON             | 1    | STOP                      |      |
|   | 25   | E208624-001SM   | PUSH BUTTON ASSY        | 1    | POWER/SOURCE              |      |
|   | 26   | VWF1240-12TTBW  | FLAT WIRE ASSY          | 1    |                           |      |
|   | 27   | FMYS1R2-001     | SPACER                  | 1    |                           |      |
|   | 28   | E208758-002SM   | CASSETTE HOLDER ASSY    | 1    |                           |      |
|   | 29   | E208759-002SM   | CASSETTE HOLDER ASSY    | 1    |                           |      |
|   | 30   | SBSG3008Z       | TAPPING SCREW           | 10   |                           |      |
|   | 31   | E309479-001SS   | EJECT LEVER             | 1    |                           |      |
|   | 32   | E309480-001SS   | EJECT LEVER             | 1    |                           |      |
|   | 33   | E408742-001SS   | SPRING                  | 1    |                           |      |
|   | 34   | E408933-001SS   | HOLDER SPRING           | 1    |                           |      |
|   | 35   | E408934-001SS   | HOLDER SPRING           | 1    |                           |      |
|   | 36   | VYH7779-00B     | DAMPER                  | 2    |                           |      |
|   | 37   | E309496-002SM   | EJECT BUTTON            | 1    |                           |      |
|   | 38   | E309497-002SM   | EJECT BUTTON            | 1    |                           |      |
|   | 39   | E208588-001SS   | HOLDER BKT              | 1    |                           |      |
|   | 40   | SBSF3008Z       | TAPPING SCREW           | 11   |                           |      |
|   | 41   | SBST3006Z       | TAPPING SCREW           | 4    |                           |      |
|   | 42   | -----           | CASSETTE MECHANISM ASSY | 1    | See page                  |      |
|   | 43   | E309477-222SM   | EJECT SAFETY            | 1    |                           |      |
|   | 44   | E309478-222SM   | EJECT SAFETY            | 1    |                           |      |
|   | 45   | E407801-002     | SPRING                  | 1    |                           |      |
|   | 46   | E407802-002     | SPRING                  | 1    |                           |      |
|   | 47   | E102616-230SM   | CHASSIS BASE            | 1    |                           |      |
|   | 48   | E75896-006      | FELT SPACER             | 2    |                           |      |
| △ | 49   | ETP1100-66FAJ   | POWER TRANSFORMER       | 1    |                           |      |
|   | 50   | E408630-001SM   | SHIELD PLATE            | 1    |                           |      |
|   | 51   | E65389-002      | SPECIAL SCREW           | 4    |                           |      |
| △ | 52   | QMF51E2-2R0     | FUSE                    | 3    | F501/502/002 (T2.0A/250V) |      |
| △ | 53   | QMF51E2-4R0     | FUSE                    | 1    | F001 (T4.0A/250V)         |      |
|   | 54   | E407434-001SM   | LEAF SPRING             | 1    |                           |      |

## ■ Parts List

Block No. **M1M1M1M1**

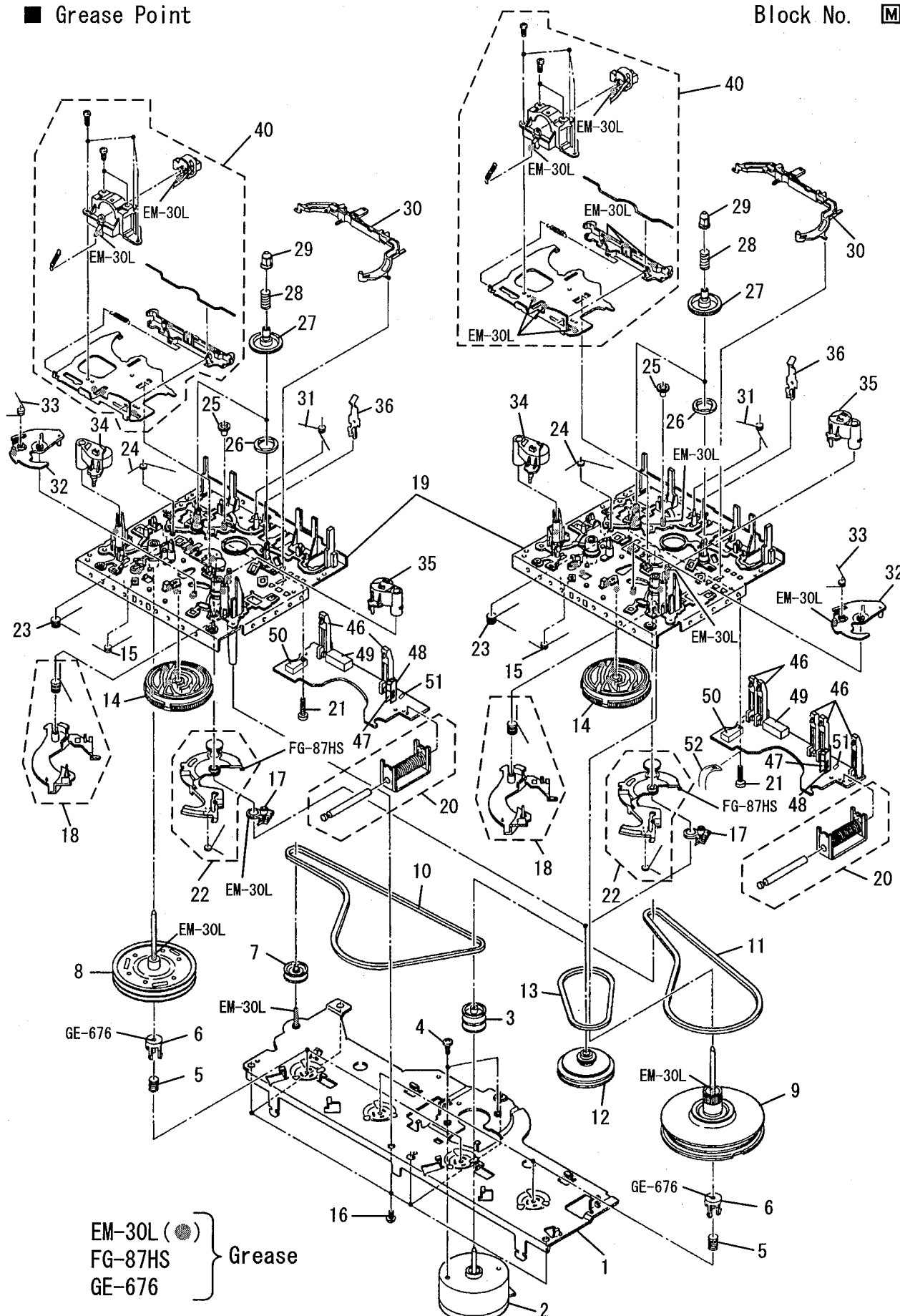
| △ | Item | Parts Number   | Parts Name                | Q'ty | Description | Area |
|---|------|----------------|---------------------------|------|-------------|------|
|   | 55   | SBSG3014CC     | SCREW                     | 4    |             |      |
|   | 56   | SBST2604Z      | SCREW                     | 3    |             |      |
|   | 57   | FMYH4004-001   | RIVET                     | 3    |             |      |
|   | 58   | E309719-001    | FASTENER                  | 1    |             |      |
|   | 59   | E309528-003SM  | HEAT SINK                 | 1    |             |      |
|   | 60   | E306805-145    | SPACER                    | 1    |             |      |
|   | 61   | E306805-175    | SPACER                    | 1    |             |      |
|   | 62   | E103054-029SM  | REAR PANEL                | 1    |             |      |
|   | 63   | E73273-003     | SPECIAL SCREW             | 19   |             |      |
| △ | 64   | QHS3876-162    | CORD STOPPER              | 1    |             |      |
| △ | 65   | QMP39E0-200    | POWER CORD                | 1    |             | US   |
| △ |      | QMP5530-0085BS | POWER CORD                | 1    |             | UB   |
| △ |      | QMP7520-200    | POWER CORD                | 1    |             | U UT |
|   | 66   | -----          | CD CHANGER MECHANISM ASSY | 1    | See page    |      |
|   | 67   | E307552-001    | FASTENER                  | 4    |             |      |
|   | 68   | VWF1015-09TTAV | FLAT WIRE ASSY            | 1    |             |      |
|   | 69   | QHX2075-001    | TIE BAND                  | 5    |             |      |
|   | 70   | E309526-001SM  | TRANSISTOR HOLDER         | 1    |             |      |
|   | 71   | E309662-001    | DISK STOPPER              | 1    |             |      |
|   | 72   | -----          | CD MECHANISM ASSY         | 1    | See page    |      |
|   | 73   | FMYH4003-002J  | INSULATOR                 | 2    |             |      |
|   | 74   | FMYH4003-001J  | INSULATOR                 | 2    |             |      |
|   | 75   | VDM1001-M001A  | SOCKET WIRE ASSY          | 1    |             |      |
|   | 76   | E409347-001    | CLAMPER SHEET             | 1    |             |      |
|   | 77   | VYSA1R2-033    | SPACER                    | 1    |             |      |
|   | 78   | VKS3703-00FMM  | CLAMPER                   | 1    |             |      |
|   | 79   | VKW5187-001    | ROD                       | 1    |             |      |
|   | 80   | SPST2606Z      | TAPPING SCREW             | 1    |             |      |
|   | 81   | EWf102-049     | CONNECTOR WIRE ASSY       | 1    |             |      |
|   | 82   | VWF1207-10TTB  | FLAT WIRE ASSY            | 1    |             |      |
|   | 83   | VWF1210-14TTB  | FLAT WIRE ASSY            | 1    |             |      |
|   | 84   | VWF1211-16TTB  | FLAT WIRE ASSY            | 1    |             |      |
|   | 85   | VWF1215-25TTB  | FLAT WIRE ASSY            | 1    |             |      |
|   | 86   | E406709-001    | CAUTION LABEL             | 1    |             |      |
|   | 87   | E207356-001SM  | REAR COVER                | 1    |             |      |
|   | -    | E309384-024    | RATING LABEL              | 1    |             | UT   |
|   | -    | E70891-001     | CLASS 1 LABEL             | 1    |             |      |
|   | -    | E75139-003     | Z LABEL                   | 1    |             | U    |



# Cassette Mechanism Ass'y and Parts List

■ Grease Point

Block No. **M2MM**



EM-30L (●)  
 FG-87HS  
 GE-676 } Grease

## ■ Parts List (Cassette Mechanism Ass'y)

Block No. **M2MM**

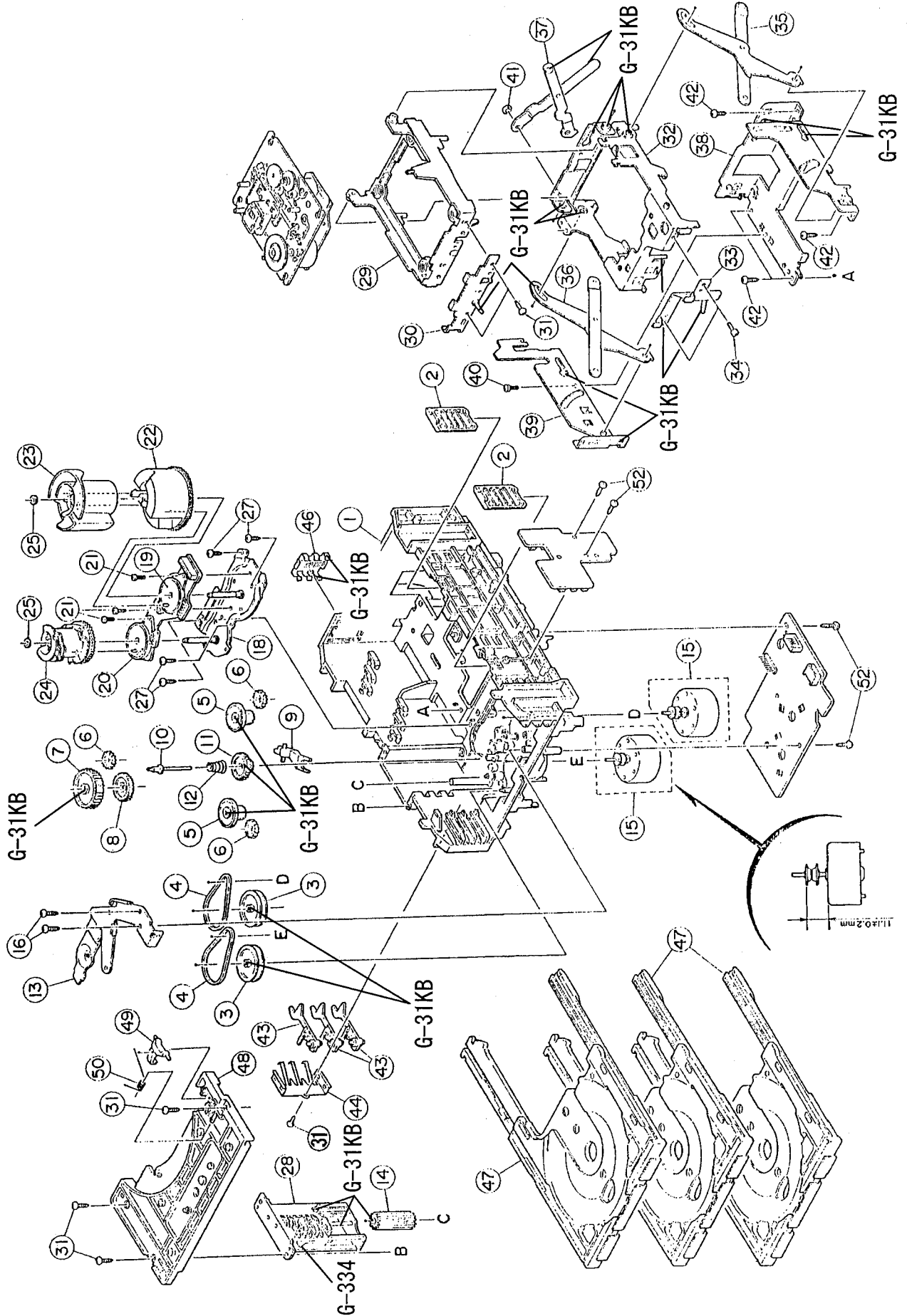
| △ | Item | Parts Number   | Parts Name        | Q'ty | Description | Area |
|---|------|----------------|-------------------|------|-------------|------|
|   | 1    | VKM3835-00A    | FLYWHEEL BRACKET  | 1    |             |      |
|   | 2    | MMI-6H2LWK     | DC MOTOR          | 1    |             |      |
|   | 3    | VKR4740-003    | MOTOR PULLEY      | 1    |             |      |
|   | 4    | SPSP2603Z      | WOOD SCREW        | 1    |             |      |
|   | 5    | VKW5177-002    | SPRING            | 1    |             |      |
|   | 6    | VKS5524-001    | THRUST GUIDE      | 1    |             |      |
|   | 7    | VKR4741-002    | IDLER PULLEY      | 1    |             |      |
|   | 8    | VKF3202-00B    | F. WHEEL (L) ASY  | 2    |             |      |
|   | 9    | VKF3200-00B    | F. WHEEL (R) ASY  | 2    |             |      |
|   | 10   | VKB3000-161    | CAPSTAN BELT      | 1    |             |      |
|   | 11   | VKB3000-162    | CAPSTAN BELT      | 1    |             |      |
|   | 12   | VKS5523-00C    | MAIN PULLY ASSY   | 2    |             |      |
|   | 13   | VKB3000-167    | REEL BELT         | 2    |             |      |
|   | 14   | VKS1150-001    | CONTROL CAM       | 2    |             |      |
|   | 15   | VKW5170-002    | SPRING            | 2    |             |      |
|   | 16   | SBSF2608Z      | TAPPING SCREW     | 6    |             |      |
|   | 17   | VKS3719-001    | RING              | 2    |             |      |
|   | 18   | VKS5525-00B    | TRIGGER ARM       | 2    |             |      |
|   | 19   | VKS1151-00A    | CHASSIS BASE ASSY | 2    |             |      |
|   | 20   | VGP2401-00A    | SOLENOID          | 2    |             |      |
|   | 21   | SDST2612Z      | SCREW             | 2    |             |      |
|   | 22   | VKS3714-00B    | F. F/REW. ARM     | 2    |             |      |
|   | 23   | VKW5173-001    | SPRING            | 2    |             |      |
|   | 24   | VKW5202-002    | SPRING            | 2    |             |      |
|   | 25   | VKS5519-002    | IDLER GEAR        | 2    |             |      |
|   | 26   | VKZ4690-002    | MAGNET            | 2    |             |      |
|   | 27   | VKS3707-002    | REEL GEAR         | 2    |             |      |
|   | 28   | VKW5162-002    | SPRING            | 4    |             |      |
|   | 29   | VKS3708-002    | REEL CAP          | 4    |             |      |
|   | 30   | VKS2261-002    | REEL STOPPER      | 2    |             |      |
|   | 31   | VKW5178-001    | BRAKE SPRING      | 2    |             |      |
|   | 32   | VKS2255-001    | DIRECTION LEVER   | 2    |             |      |
|   | 33   | VKW5163-001    | SPRING            | 2    |             |      |
|   | 34   | VKP4232-00A    | PINCH ROLLER      | 2    |             |      |
|   | 35   | VKP4231-00B    | PINCH ROLLER      | 4    |             |      |
|   | 36   | VKY4670-001    | CASSETTE SPRING   | 2    |             |      |
|   | 38   | VKL7809-00A    | BASE PLATE        | 2    |             |      |
|   | 39   | VKW5167-002    | SPRING            | 2    |             |      |
|   | 40   | VKS3710-00A    | H. MOUNT ASY      | 1    |             |      |
|   | 40   | VKS3725-00A    | H. MOUNT ASY      | 1    |             |      |
|   | 44   | VKS2257-002    | ACTION LEVER      | 2    |             |      |
|   | 45   | VKW5209-003    | SPRING            | 2    |             |      |
|   | 46   | MXS00220MVLO   | CASSETTE SWITCH   | 2    |             |      |
|   | 47   | DN6851-HI      | I. C (M)          | 2    |             |      |
|   | 48   | VKS3630-001MM  | I. C. PROTECTOR   | 2    |             |      |
|   | 49   | VMC0314-P08    | CONNECT TERMINAL  | 1    |             |      |
|   | 49   | VMC0314-P14    | CONNECT TERMINAL  | 1    |             |      |
|   | 50   | QSEC001-E03    | LEVER SWITCH      | 2    |             |      |
|   | 51   | 1SR139-400T-32 | SI DIODE          | 2    |             |      |
|   | 52   | VWSC04-11A13K  | FLAT WIRE ASSY    | 1    |             |      |



# Changer Mechanism Ass'y and Parts List

■ Grease Point

Block No. **M3MM**



## ■ Parts List (Changer Mechanism Ass'y)

Block No. **M3MM**

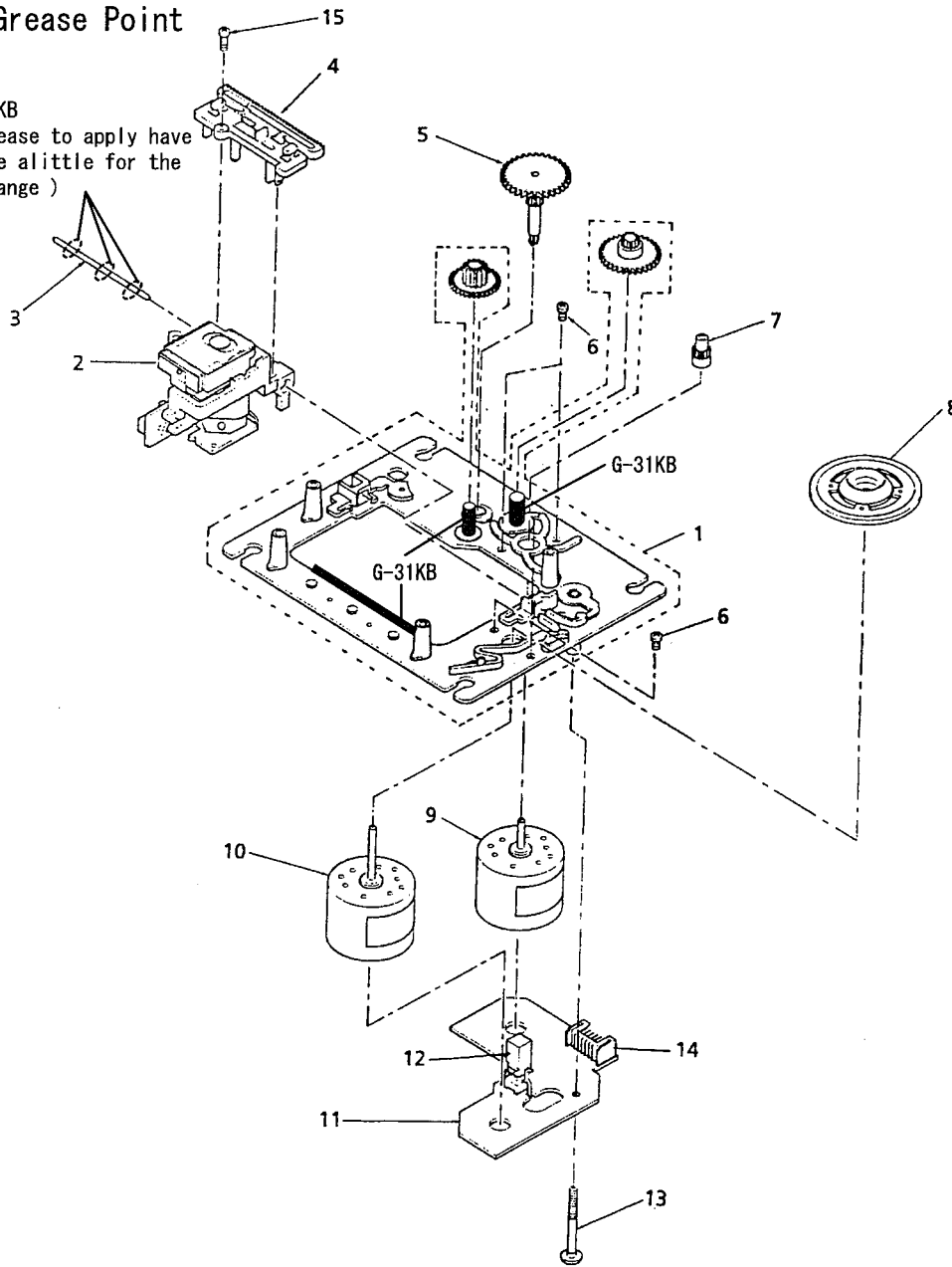
| △ | Item | Parts Number  | Parts Name      | Q'ty | Description | Area |
|---|------|---------------|-----------------|------|-------------|------|
|   | 1    | VKS1144-002   | CHASSIS BASE    | 1    |             |      |
|   | 2    | VKS3698-001   | TRAY GUIDE      | 2    |             |      |
|   | 3    | VKS5532-001   | GEAR            | 2    |             |      |
|   | 4    | VKB3000-164   | DRIVE BELT      | 2    |             |      |
|   | 5    | VKS5505-001   | GEAR            | 2    |             |      |
|   | 6    | VKS5506-001   | GEAR            | 3    |             |      |
|   | 7    | VKS5507-001   | GEAR            | 1    |             |      |
|   | 8    | VKS5508-001   | GEAR            | 1    |             |      |
|   | 9    | VKS5510-002   | SELECT LEVER    | 1    |             |      |
|   | 10   | VKH5769-001   | GEAR STUD       | 1    |             |      |
|   | 11   | VKS5511-001   | GEAR            | 2    |             |      |
|   | 12   | VKW5155-003   | COMPRESS SPRING | 2    |             |      |
|   | 13   | VKM3846-001   | GEAR BRACKET    | 2    |             |      |
|   | 14   | VKS5509-001   | CYLINDER GEAR   | 2    |             |      |
|   | 15   | MSN5D257A-SA2 | DC MOTOR        | 3    |             |      |
|   | 16   | DPSP2616Z     | SCREW           | 2    |             |      |
|   | 18   | VKM3825-00A   | GEAR BASE       | 1    |             |      |
|   | 19   | VKZ3172-00A   | CAM SWITCH      | 1    |             |      |
|   | 20   | VKZ3173-00A   | CAM SWITCH      | 1    |             |      |
|   | 21   | SPST2606Z     | TAPPING SCREW   | 1    |             |      |
|   | 22   | VKS2263-001   | DRIVING CAM     | 1    |             |      |
|   | 23   | VKS2264-001   | DRIVING CAM     | 1    |             |      |
|   | 24   | VKS2265-001   | SUB GEAR        | 1    |             |      |
|   | 25   | WDL316050     | SLIT WASHER     | 2    |             |      |
|   | 27   | SBSF2608Z     | TAPPING SCREW   | 4    |             |      |
|   | 28   | VKS3702-00E   | DRIVE UNIT      | 1    |             |      |
|   | 29   | VKS2247-002   | MECHA HOLDER    | 1    |             |      |
|   | 30   | VKL7767-00B   | MECHABRACKET    | 1    |             |      |
|   | 31   | SBSF2606Z     | TAPPING SCREW   | 2    |             |      |
|   | 32   | VKM3824-00D   | MECHA HOLDER    | 1    |             |      |
|   | 33   | VKL7802-00C   | MECHA HOLDER    | 1    |             |      |
|   | 34   | SDST2604Z     | SCREW           | 2    |             |      |
|   | 35   | VKL7810-00A   | LIFTER          | 1    |             |      |
|   | 36   | VKL7811-00A   | LIFTER          | 1    |             |      |
|   | 37   | VKL7812-00A   | LIFTER          | 1    |             |      |
|   | 38   | VKL2732-002   | LIFTER BASE     | 1    |             |      |
|   | 39   | VKM3823-001   | LIFTER BRACKET  | 1    |             |      |
|   | 40   | SDST2604Z     | SCREW           | 1    |             |      |
|   | 41   | WDL266035-2   | SLIT WASHER     | 1    |             |      |
|   | 42   | SBSF2608Z     | TAPPING SCREW   | 8    |             |      |
|   | 43   | VKS5514-001   | LOCK LEVER      | 3    |             |      |
|   | 44   | VKY3133-002   | RETURN SPRING   | 1    |             |      |
|   | 46   | VKY3134-003   | SPRING          | 1    |             |      |
|   | 47   | VKS2252-00C   | TRAY            | 3    |             |      |
|   | 48   | VKS2250-001   | TOP BRACKET     | 1    |             |      |
|   | 49   | VKS5515-001   | TRAY STOPPER    | 1    |             |      |
|   | 50   | VKW5156-002   | TORSION SPRING  | 1    |             |      |

# CD Mechanism Ass'y and Pars List

■ Grease Point

Block No. **M4M4**

G-31KB  
(Grease to apply have to be alittle for the exchange)



■ Parts List ( CD Mechanism Ass'y )

| △ | Item | Parts Number     | Parts Name           | Q'ty | Description | Area |
|---|------|------------------|----------------------|------|-------------|------|
|   | 1    | EPB-002A         | MECHANISM BASE ASS'Y | 1    |             |      |
|   | 2    | OPTIMA-6S        | PICK UP ASS'Y        | 1    |             |      |
|   | 3    | E406777-001      | SHAFT                | 1    |             |      |
|   | 4    | E307746-001      | CD RACK              | 1    |             |      |
|   | 5    | E307745-221SS    | GEAR (3)             | 1    |             |      |
|   | 6    | SDSP2003N        | SCREW                | 4    |             |      |
|   | 7    | E406750-001      | PINION GEAR          | 1    |             |      |
|   | 8    | EPB309173A       | TURN TABLE           | 1    |             |      |
|   | 9    | E406784-001      | FEED MOTOR           | 1    |             |      |
|   | 10   | E406783-001      | SPINDLE MOTOR        | 1    |             |      |
|   | 11   | EMW10190-001 (S) | CIRCUIT BOARD        | 1    |             |      |
|   | 12   | ESB1100-005      | LEAF SWITCH          | 1    |             |      |
|   | 13   | E75832-001       | SCREW                | 1    |             |      |
|   | 14   | EMV5109-006B     | PLUG ASS'Y           | 1    | 6PIN        |      |
|   | 15   | SDSF2006Z        | SCREW                | 1    |             |      |

## ■ Electrical Parts List (ENH-271)

| △ | Item  | Parts Number     | Description        | Area |
|---|-------|------------------|--------------------|------|
|   |       | I. C. S          |                    |      |
|   | IC501 | STK425-090       | I. C (HYBRID)      |      |
|   | IC841 | BP5020           | P                  |      |
|   | IC851 | HD6433726SC11F   | I. C (DIGI-MOS)    |      |
|   | IC901 | HA12136A         | I. C (MONO-ANALOG) |      |
|   | IC902 | BA8221AN         | I. C (MONO-ANALOG) |      |
|   |       | DIODES           |                    |      |
| △ | D501  | S3V20F           | SI. DIODE          |      |
| △ | D502  | S3V20F           | SI. DIODE          |      |
| △ | D503  | S3V20F           | SI. DIODE          |      |
| △ | D504  | S3V20F           | SI. DIODE          |      |
|   | D541  | 1SS133           | SI. DIODE          |      |
|   | D542  | 1SS133           | SI. DIODE          |      |
|   | D543  | 1SS133           | SI. DIODE          |      |
|   | D801  | MTZ24JC          | ZENER DIODE        |      |
|   | D811  | 1SR35-100        | SI. DIODE          |      |
|   | D812  | 1SR35-100        | SI. DIODE          |      |
|   | D813  | 1SR35-100        | SI. DIODE          |      |
|   | D814  | 1SR35-100        | SI. DIODE          |      |
|   | D815  | 1SR35-100        | SI. DIODE          |      |
|   | D816  | 1SR35-100        | SI. DIODE          |      |
|   | D821  | MTZ5.1JC         | ZENER DIODE        |      |
|   | D822  | 1SS133           | SI. DIODE          |      |
|   | D823  | 1SS133           | SI. DIODE          |      |
|   | D825  | 1SS133           | SI. DIODE          |      |
|   | D826  | 1SS133           | SI. DIODE          |      |
|   | D851  | 1SS133           | SI. DIODE          |      |
|   | D855  | 1SS133           | SI. DIODE          |      |
|   | D859  | 1SS133           | SI. DIODE          |      |
|   | D881  | MTZ24JC          | ZENER DIODE        |      |
|   | D883  | MTZ24JC          | ZENER DIODE        |      |
|   | D890  | 1SR35-100        | SI. DIODE          |      |
|   | D891  | MTZ6.8JC         | ZENER DIODE        |      |
|   | D963  | 1SR35-100        | SI. DIODE          |      |
|   | D971  | 1SS133           | SI. DIODE          |      |
|   |       | TRANSISTORS      |                    |      |
|   | Q541  | 2SA970 (GR)      | SI. TRANSISTOR     |      |
|   | Q542  | 2SA970 (GR)      | SI. TRANSISTOR     |      |
|   | Q543  | 2SC1740S (R, S)  | SI. TRANSISTOR     |      |
|   | Q544  | 2SA970 (GR)      | SI. TRANSISTOR     |      |
|   | Q545  | 2SC2240 (GR, BL) | SI. TRANSISTOR     |      |
|   | Q801  | 2SC2240 (GR, BL) | SI. TRANSISTOR     |      |
|   | Q821  | DTC114YS         | DIGITAL TRANSISTOR |      |
|   | Q822  | DTC114YS         | DIGITAL TRANSISTOR |      |
|   | Q823  | DTC114YS         | DIGITAL TRANSISTOR |      |
|   | Q831  | 2SD2144S (VW)    | SI. TRANSISTOR     |      |
|   | Q832  | 2SD2144S (VW)    | SI. TRANSISTOR     |      |
|   | Q833  | DTA114TS         | DIGITAL TRANSISTOR |      |
|   | Q841  | 2SC1740 (R, S)   | SI. TRANSISTOR     |      |
|   | Q847  | DTA144ES         | DIGITAL TRANSISTOR |      |
|   | Q881  | 2SC1740S (R, S)  | SI. TRANSISTOR     |      |
|   | Q883  | 2SC1740S (R, S)  | SI. TRANSISTOR     |      |
|   | Q901  | 2SC1740S (R, S)  | SI. TRANSISTOR     |      |
|   | Q902  | 2SC1740S (R, S)  | SI. TRANSISTOR     |      |
|   | Q931  | 2SD2144S (VW)    | SI. TRANSISTOR     |      |
|   | Q932  | 2SD2144S (VW)    | SI. TRANSISTOR     |      |
|   | Q933  | DTA144ES         | DIGITAL TRANSISTOR |      |
|   | Q941  | 2SC1740S (R, S)  | SI. TRANSISTOR     |      |
|   | Q942  | 2SC1740S (R, S)  | SI. TRANSISTOR     |      |
|   | Q951  | 2SA933S (RS)     | SI. TRANSISTOR     |      |
|   | Q952  | DTC144ES         | DIGITAL TRANSISTOR |      |
|   | Q961  | 2SA934 (Q, R)    | SI. TRANSISTOR     |      |
|   | Q962  | 2SA934 (Q, R)    | SI. TRANSISTOR     |      |
|   | Q963  | DTC123YS         | SI. TRANSISTOR     |      |
|   | Q964  | DTC123YS         | SI. TRANSISTOR     |      |

| △ | Item | Parts Number  | Description             | Area |
|---|------|---------------|-------------------------|------|
|   | Q971 | DTA114YS      | DIGITAL TRANSISTOR      |      |
|   |      | CAPACITORS    |                         |      |
|   | C001 | QCS21HJ-470   | 47PF 50V CER. CAP.      |      |
|   | C496 | QFV81HJ-564   | 0.56MF 50V THIN FILM CA |      |
|   | C497 | QFV81HJ-564   | 0.56MF 50V THIN FILM CA |      |
| △ | C499 | QCZ9019-472   | 4700PF C. CAP.          |      |
|   | C500 | QFLB1HJ-103   | 0.01MF 50V MYLAR CAP.   |      |
|   | C501 | QETB1HM-105   | 1MF 50V AL. E. CAP.     |      |
|   | C502 | QETB1HM-105   | 1MF 50V AL. E. CAP.     |      |
|   | C503 | QCB1HK-101Y   | 100PF 50V CER. CAP.     |      |
|   | C504 | QCB1HK-101Y   | 100PF 50V CER. CAP.     |      |
|   | C507 | QETB1AM-107   | 100MF 10V AL. E. CAP.   |      |
|   | C508 | QETB1AM-107   | 100MF 10V AL. E. CAP.   |      |
|   | C509 | QCSB1HJ-100Y  | 10PF 50V CER. CAP.      |      |
|   | C510 | QCSB1HJ-100Y  | 10PF 50V CER. CAP.      |      |
|   | C515 | QCB1HK-101Y   | 100PF 50V CER. CAP.     |      |
|   | C516 | QCB1HK-101Y   | 100PF 50V CER. CAP.     |      |
|   | C521 | QFV81HJ-104   | 0.1MF 50V THIN FILM CA  |      |
|   | C522 | QFV81HJ-104   | 0.1MF 50V THIN FILM CA  |      |
|   | C527 | QETB1JM-107   | 100MF 63V AL. E. CAP.   |      |
|   | C528 | QETB1JM-107   | 100MF 63V AL. E. CAP.   |      |
|   | C529 | QETB2AM-105   | 1MF 100V E. CAP.        |      |
|   | C530 | QETB2AM-105   | 1MF 100V E. CAP.        |      |
|   | C531 | QFV81HJ-105   | 1MF 50V THIN FILM CA    |      |
|   | C532 | QFV81HJ-105   | 1MF 50V THIN FILM CA    |      |
|   | C533 | QETB1JM-476   | 47MF 63V AL. E. CAP.    |      |
|   | C534 | QETB1JM-476   | 47MF 63V AL. E. CAP.    |      |
|   | C535 | EET5601-228E  | 2200MF E. CAP.          |      |
|   | C536 | EET5601-228E  | 2200MF E. CAP.          |      |
|   | C537 | QFV82AJ-104   | 0.1MF 100V THIN FILM CA |      |
|   | C541 | QETB1CM-476   | 47MF 16V AL. E. CAP.    |      |
|   | C542 | QETB1EM-106   | 10MF 25V AL. E. CAP.    |      |
|   | C543 | QFV82AJ-104   | 0.1MF 100V THIN FILM CA |      |
|   | C544 | QFV82AJ-104   | 0.1MF 100V THIN FILM CA |      |
|   | C547 | QFLB1HJ-473   | 0.047MF 50V MYLAR CAP.  |      |
|   | C805 | QFLB1HJ-223   | 0.022MF 50V MYLAR CAP.  |      |
|   | C806 | QFLB1HJ-223   | 0.022MF 50V MYLAR CAP.  |      |
|   | C811 | QETM1VM-228J7 | 2200MF 35V E. CAP.      |      |
|   | C812 | QETB1VM-477E  | 470MF 35V AL. E. CAP.   |      |
|   | C813 | QETB1VM-477E  | 470MF 35V AL. E. CAP.   |      |
|   | C814 | QFN82AJ-103   | 0.01MF 100V MYLAR CAP.  |      |
|   | C821 | QETB1HM-225   | 2.2MF 50V AL. E. CAP.   |      |
|   | C822 | QETB1HM-105   | 1MF 50V AL. E. CAP.     |      |
|   | C841 | QETB1HM-225   | 2.2MF 50V AL. E. CAP.   |      |
|   | C842 | QETM0JM-478   | 4700MF 6.3V E. CAP.     |      |
|   | C843 | QETB1VM-477E  | 470MF 35V AL. E. CAP.   |      |
|   | C844 | QETB0JM-477   | 470MF 6.3V AL. E. CAP.  |      |
|   | C845 | QCZ0202-155   | 1.5MF 25V CER. RES.     |      |
|   | C851 | QCZ0202-155   | 1.5MF 25V CER. RES.     |      |
|   | C852 | QETB1CM-476   | 47MF 16V AL. E. CAP.    |      |
|   | C853 | QCVB1CM-103Y  | 0.01MF 16V CER. CAP.    |      |
|   | C887 | QFLB1HJ-223   | 0.022MF 50V MYLAR CAP.  |      |
|   | C888 | QFLB1HJ-223   | 0.022MF 50V MYLAR CAP.  |      |
|   | C889 | QETB0JM-477   | 470MF 6.3V AL. E. CAP.  |      |
|   | C901 | QETB1HM-105   | 1MF 50V AL. E. CAP.     |      |
|   | C902 | QETB1HM-105   | 1MF 50V AL. E. CAP.     |      |
|   | C907 | QETB1EM-106   | 10MF 25V AL. E. CAP.    |      |
|   | C908 | QETB1EM-106   | 10MF 25V AL. E. CAP.    |      |
|   | C909 | QFLB1HJ-473   | 0.047MF 50V MYLAR CAP.  |      |
|   | C910 | QFLB1HJ-473   | 0.047MF 50V MYLAR CAP.  |      |
|   | C911 | QETB1HM-105   | 1MF 50V AL. E. CAP.     |      |
|   | C912 | QETB1HM-105   | 1MF 50V AL. E. CAP.     |      |
|   | C913 | QCB1HK-561Y   | 560PF 50V CER. CAP.     |      |
|   | C914 | QCB1HK-561Y   | 560PF 50V CER. CAP.     |      |
|   | C915 | QETB1HM-105   | 1MF 50V AL. E. CAP.     |      |

## ■ Electrical Parts List (ENH-271)

| △ | Item | Parts Number  | Description             | Area |
|---|------|---------------|-------------------------|------|
|   | C916 | QETB1HM-105   | 1MF 50V AL. E. CAP.     |      |
|   | C919 | QFV81HJ-224   | 0.22MF 50V THIN FILM CA |      |
|   | C920 | QFV81HJ-224   | 0.22MF 50V THIN FILM CA |      |
|   | C921 | QER51EM-475   | 4.7MF 25V E. CAP.       |      |
|   | C922 | QER51EM-475   | 4.7MF 25V E. CAP.       |      |
|   | C923 | QETB1CM-476   | 47MF 16V AL. E. CAP.    |      |
|   | C927 | QETB1CM-476   | 47MF 16V AL. E. CAP.    |      |
|   | C941 | QFLB1HJ-223   | 0.022MF 50V MYLAR CAP.  |      |
|   | C942 | QFLB1HJ-223   | 0.022MF 50V MYLAR CAP.  |      |
|   | C943 | QETB1HM-105   | 1MF 50V AL. E. CAP.     |      |
|   | C945 | QCZ0202-155   | 1.5MF 25V CER. RES.     |      |
|   | C946 | QCSB1HJ-470   | 47PF 50V CER. CAP.      |      |
|   | C947 | QCF21HP-103A  | 0.01MF 50V CER. CAP.    |      |
|   |      | RESISTORS     |                         |      |
|   | R501 | QRD161J-102   | 1K 1/6W CARBON RES.     |      |
|   | R502 | QRD161J-102   | 1K 1/6W CARBON RES.     |      |
|   | R503 | QRD161J-563   | 56K 1/6W CARBON RES.    |      |
|   | R504 | QRD161J-563   | 56K 1/6W CARBON RES.    |      |
| △ | R505 | QRD14CJ-471SX | 470 1/4W UNF. CARBON R  |      |
| △ | R506 | QRD14CJ-471SX | 470 1/4W UNF. CARBON R  |      |
|   | R507 | QRD161J-471   | 470 1/6W CARBON RES.    |      |
|   | R508 | QRD161J-471   | 470 1/6W CARBON RES.    |      |
|   | R509 | QRD161J-563   | 56K 1/6W CARBON RES.    |      |
|   | R510 | QRD161J-563   | 56K 1/6W CARBON RES.    |      |
| △ | R515 | QRX014J-R22   | 0.22 1W METAL FILM R    |      |
| △ | R516 | QRX014J-R22   | 0.22 1W METAL FILM R    |      |
| △ | R517 | QRX014J-R22   | 0.22 1W METAL FILM R    |      |
| △ | R518 | QRX014J-R22   | 0.22 1W METAL FILM R    |      |
| △ | R519 | QRD14CJ-100SX | 10 1/4W UNF. CARBON R   |      |
| △ | R520 | QRD14CJ-100SX | 10 1/4W UNF. CARBON R   |      |
|   | R521 | QRD14CJ-4R7SX | 4.7 1/4W UNF. CARBON R  |      |
|   | R522 | QRD14CJ-4R7SX | 4.7 1/4W UNF. CARBON R  |      |
| △ | R527 | QRD14CJ-271S  | 270 1/4W UNF. CARBON R  |      |
| △ | R528 | QRD14CJ-271S  | 270 1/4W UNF. CARBON R  |      |
| △ | R529 | QRD14CJ-101S  | 100 1/4W UNF. CARBON R  |      |
| △ | R530 | QRD14CJ-101S  | 100 1/4W UNF. CARBON R  |      |
| △ | R531 | QRX022J-R68A  | 0.68 2W METAL FILM R    |      |
| △ | R532 | QRX022J-R68A  | 0.68 2W METAL FILM R    |      |
|   | R541 | QRD161J-122   | 1.2K 1/6W CARBON RES.   |      |
|   | R542 | QRD161J-122   | 1.2K 1/6W CARBON RES.   |      |
|   | R543 | QRD167J-223   | 22K 1/6W CARBON RES.    |      |
|   | R544 | QRD167J-223   | 22K 1/6W CARBON RES.    |      |
|   | R545 | QRD161J-103   | 10K 1/6W CARBON RES.    |      |
|   | R546 | QRD161J-103   | 10K 1/6W CARBON RES.    |      |
|   | R547 | QRD161J-104   | 100K 1/6W CARBON RES.   |      |
|   | R548 | QRD161J-823   | 82K 1/6W CARBON RES.    |      |
|   | R549 | QRD161J-104   | 100K 1/6W CARBON RES.   |      |
|   | R550 | QRD161J-103   | 10K 1/6W CARBON RES.    |      |
|   | R551 | QRD161J-104   | 100K 1/6W CARBON RES.   |      |
|   | R552 | QRD161J-103   | 10K 1/6W CARBON RES.    |      |
|   | R555 | QRG01DJ-562X  | 5.6K 1W OXIDE METAL     |      |
|   | R556 | QRG01DJ-562X  | 5.6K 1W OXIDE METAL     |      |
|   | R801 | QRD167J-152   | 1.5K 1/6W CARBON RES.   |      |
|   | R802 | QRG01DJ-681X  | 680 1W OXIDE METAL      |      |
|   | R803 | QRG01DJ-681X  | 680 1W OXIDE METAL      |      |
|   | R805 | QRD14CJ-4R7SX | 4.7 1/4W UNF. CARBON R  |      |
|   | R806 | QRD14CJ-4R7SX | 4.7 1/4W UNF. CARBON R  |      |
|   | R821 | QRD161J-103   | 10K 1/6W CARBON RES.    |      |
|   | R822 | QRD161J-102   | 1K 1/6W CARBON RES.     |      |
|   | R823 | QRD161J-104   | 100K 1/6W CARBON RES.   |      |
|   | R825 | QRD161J-103   | 10K 1/6W CARBON RES.    |      |
|   | R826 | QRD161J-103   | 10K 1/6W CARBON RES.    |      |
|   | R831 | QRD161J-473   | 47K 1/6W CARBON RES.    |      |
|   | R832 | QRD161J-473   | 47K 1/6W CARBON RES.    |      |
| △ | R833 | QRD14CJ-681SX | 680 1/4W UNF. CARBON R  |      |

| △ | Item | Parts Number  | Description            | Area |
|---|------|---------------|------------------------|------|
| △ | R834 | QRD14CJ-681SX | 680 1/4W UNF. CARBON R |      |
| △ | R835 | QRD14CJ-681SX | 680 1/4W UNF. CARBON R |      |
| △ | R836 | QRD14CJ-681SX | 680 1/4W UNF. CARBON R |      |
|   | R841 | QRD161J-473   | 47K 1/6W CARBON RES.   |      |
|   | R842 | QRD161J-473   | 47K 1/6W CARBON RES.   |      |
|   | R843 | QRD14CJ-4R7SX | 4.7 1/4W UNF. CARBON R |      |
|   | R845 | QRD161J-102   | 1K 1/6W CARBON RES.    |      |
|   | R846 | QRD161J-102   | 1K 1/6W CARBON RES.    |      |
|   | R847 | QRD161J-102   | 1K 1/6W CARBON RES.    |      |
|   | R848 | QRD161J-102   | 1K 1/6W CARBON RES.    |      |
|   | R851 | QRD161J-105   | 1M 1/6W CARBON RES.    |      |
|   | R855 | QRD161J-103   | 10K 1/6W CARBON RES.   |      |
|   | R857 | QRD161J-222   | 2.2K 1/6W CARBON RES.  |      |
|   | R858 | QRD161J-103   | 10K 1/6W CARBON RES.   |      |
|   | R859 | QRD161J-103   | 10K 1/6W CARBON RES.   |      |
|   | R861 | QRD161J-103   | 10K 1/6W CARBON RES.   |      |
|   | R863 | QRD161J-103   | 10K 1/6W CARBON RES.   |      |
|   | R864 | QRD161J-103   | 10K 1/6W CARBON RES.   |      |
|   | R865 | QRD161J-103   | 10K 1/6W CARBON RES.   |      |
|   | R866 | QRD161J-103   | 10K 1/6W CARBON RES.   |      |
|   | R867 | QRD161J-103   | 10K 1/6W CARBON RES.   |      |
|   | R868 | QRD161J-103   | 10K 1/6W CARBON RES.   |      |
|   | R871 | QRD161J-103   | 10K 1/6W CARBON RES.   |      |
|   | R872 | QRD161J-103   | 10K 1/6W CARBON RES.   |      |
|   | R874 | QRD161J-103   | 10K 1/6W CARBON RES.   |      |
|   | R875 | QRD161J-103   | 10K 1/6W CARBON RES.   |      |
|   | R876 | QRD161J-103   | 10K 1/6W CARBON RES.   |      |
|   | R877 | QRD161J-103   | 10K 1/6W CARBON RES.   |      |
|   | R878 | QRD161J-103   | 10K 1/6W CARBON RES.   |      |
|   | R879 | QRD161J-103   | 10K 1/6W CARBON RES.   |      |
|   | R881 | QRG01DJ-681X  | 680 1W OXIDE METAL     |      |
|   | R882 | QRD167J-152   | 1.5K 1/6W CARBON RES.  |      |
|   | R883 | QRG01DJ-681X  | 680 1W OXIDE METAL     |      |
|   | R884 | QRD167J-152   | 1.5K 1/6W CARBON RES.  |      |
| △ | R885 | QRG012J-102A  | 1K 1W OXIDE METAL      |      |
| △ | R886 | QRG012J-102A  | 1K 1W OXIDE METAL      |      |
| △ | R887 | QRD14CJ-4R7SX | 4.7 1/4W UNF. CARBON R |      |
| △ | R888 | QRD14CJ-4R7SX | 4.7 1/4W UNF. CARBON R |      |
| △ | R891 | QRG01DJ-681X  | 680 1W OXIDE METAL     |      |
| △ | R892 | QRG01DJ-681X  | 680 1W OXIDE METAL     |      |
|   | R893 | QRD161J-103   | 10K 1/6W CARBON RES.   |      |
|   | R909 | QRD161J-183   | 18K 1/6W CARBON RES.   |      |
|   | R910 | QRD161J-183   | 18K 1/6W CARBON RES.   |      |
|   | R911 | QRD161J-132   | 1.3K 1/6W CARBON RES.  |      |
|   | R912 | QRD161J-132   | 1.3K 1/6W CARBON RES.  |      |
|   | R913 | QRD161J-163   | 16K 1/6W CARBON RES.   |      |
|   | R914 | QRD161J-163   | 16K 1/6W CARBON RES.   |      |
|   | R922 | QRD161J-103   | 10K 1/6W CARBON RES.   |      |
|   | R923 | QRD161J-105   | 1M 1/6W CARBON RES.    |      |
|   | R924 | QRD161J-183   | 18K 1/6W CARBON RES.   |      |
|   | R925 | QRD161J-183   | 18K 1/6W CARBON RES.   |      |
| △ | R927 | QRD14CJ-220S  | 22 1/4W UNF. CARBON R  |      |
|   | R931 | QRD161J-103   | 10K 1/6W CARBON RES.   |      |
|   | R932 | QRD161J-103   | 10K 1/6W CARBON RES.   |      |
|   | R933 | QRD161J-103   | 10K 1/6W CARBON RES.   |      |
|   | R934 | QRD161J-103   | 10K 1/6W CARBON RES.   |      |
|   | R935 | QRD161J-103   | 10K 1/6W CARBON RES.   |      |
|   | R936 | QRD161J-103   | 10K 1/6W CARBON RES.   |      |
|   | R937 | QRD161J-754   | 750K 1/6W CARBON RES.  |      |
|   | R938 | QRD161J-754   | 750K 1/6W CARBON RES.  |      |
|   | R941 | QRD161J-105   | 1M 1/6W CARBON RES.    |      |
|   | R942 | QRD161J-103   | 10K 1/6W CARBON RES.   |      |
|   | R943 | QRD161J-105   | 1M 1/6W CARBON RES.    |      |
|   | R944 | QRD161J-104   | 100K 1/6W CARBON RES.  |      |
|   | R945 | QRD161J-913   | 91K 1/6W CARBON RES.   |      |

## ■ Electrical Parts List (ENH-271)

| △ | Item  | Parts Number   | Description           | Area |
|---|-------|----------------|-----------------------|------|
|   | R951  | QRD161J-273    | 27K 1/6W CARBON RES.  |      |
|   | R952  | QRD161J-473    | 47K 1/6W CARBON RES.  |      |
|   | R953  | QRD161J-473    | 47K 1/6W CARBON RES.  |      |
|   | R954  | QRD161J-473    | 47K 1/6W CARBON RES.  |      |
|   | R955  | QRD161J-103    | 10K 1/6W CARBON RES.  |      |
|   | R961  | QRD161J-471    | 470 1/6W CARBON RES.  |      |
|   | R962  | QRD161J-471    | 470 1/6W CARBON RES.  |      |
|   | R963  | QRD161J-101    | 100 1/6W CARBON RES.  |      |
|   | R964  | QRD161J-101    | 100 1/6W CARBON RES.  |      |
| △ | R965  | QRX022J-3R3A   | 3.3 2W METAL FILM R   |      |
| △ | R966  | QRX022J-3R3A   | 3.3 2W METAL FILM R   |      |
|   | R971  | QRD161J-104    | 100K 1/6W CARBON RES. |      |
|   | R972  | QRD161J-274    | 270K 1/6W CARBON RES. |      |
|   | R980  | QRD161J-274    | 270K 1/6W CARBON RES. |      |
|   | R981  | QRD161J-103    | 10K 1/6W CARBON RES.  |      |
|   | R982  | QRD161J-104    | 100K 1/6W CARBON RES. |      |
|   | R983  | QRD161J-104    | 100K 1/6W CARBON RES. |      |
|   | R984  | QRD161J-104    | 100K 1/6W CARBON RES. |      |
|   | R1006 | QRD161J-473    | 47K 1/6W CARBON RES.  |      |
|   | VR951 | QVPA603-103A   | 10K TRIMMER RES.      |      |
|   |       | OTHERS         |                       |      |
|   |       | EMW10558-004   | PRINTED BOARD         |      |
|   |       | E309594-001SM  | SHIELD BRACKET        |      |
|   |       | E67132-T2R0    | FUSE LABEL            |      |
|   |       | E67132-T4R0    | FUSE LABEL            |      |
|   | J801  | EMB10TV-401BJ4 | SPEAKER TERMINAL      |      |
|   | J881  | EMN00TV-225A   | PIN JACK              |      |
|   | J882  | EMN00TV-117A   | PIN JACK              |      |
|   | K501  | ENZ8101-007    | INDUCTOR              |      |
|   | K502  | ENZ8101-007    | INDUCTOR              |      |
|   | K503  | ENZ8101-007    | INDUCTOR              |      |
|   | K504  | ENZ8101-007    | INDUCTOR              |      |
|   | L519  | EQL0011-R45J1  | INDUCTOR              |      |
|   | L520  | EQL0011-R45J1  | INDUCTOR              |      |
|   | L531  | EQL1002-100    | INDUCTOR              |      |
|   | L532  | EQL1002-100    | INDUCTOR              |      |
|   | L601  | EQL4004-1R0    | INDUCTOR              |      |
|   | S001  | QSR8001-E01U   | ROTARY SWITCH         |      |
|   | X851  | ECX0008-000KMZ | CRYSTAL               |      |
|   | CN311 | VMC0314-S08    | CONNECT TERMINAL      |      |
|   | CN312 | VMC0314-S08    | CONNECT TERMINAL      |      |
|   | CN313 | VMC0314-S14    | CONNECT TERMINAL      |      |
|   | CN314 | VMC0314-S08    | CONNECT TERMINAL      |      |
|   | CN412 | EWS293-0122    | SOCKET WIRE ASSY      |      |
|   | CN501 | EMV5163-015R   | CONNECT TERMINAL      |      |
|   | CN503 | EMV7167-016R   | CONNECT TERMINAL      |      |
|   | CN504 | EMV7167-028R   | CONNECT TERMINAL      |      |
|   | CN505 | EMV7155-115R   | CONNECT TERMINAL      |      |
|   | CN511 | EMV7163-015    | CONNECT TERMINAL      |      |
|   | CN512 | EMV5125-011    | MALE CONNECTOR        |      |
|   | CN521 | EMV5163-008R   | CONNECT TERMINAL      |      |
|   | CN531 | EMV7163-008    | CONNECT TERMINAL      |      |
|   | CN555 | EMV7124-005    | CONNECT TERMINAL      |      |
|   | CN556 | EMV5122-005R   | CONNECT TERMINAL      |      |
|   | CN613 | EMV7160-007    | CONNECT TERMINAL      |      |
|   | CN614 | EMV7160-011    | CONNECT TERMINAL      |      |
|   | CN811 | VMC0163-R10    | CONNECT TERMINAL      |      |
|   | CN901 | VMC0107-R09    | CONNECT TERMINAL      |      |
|   | EP801 | E409182-001SM  | EARTH TERMINAL        |      |
|   | FS555 | E3400-431      | FELT SPACER           |      |
|   | FS556 | E3400-431      | FELT SPACER           |      |
|   | FT001 | VMZ0087-001Z   | FUSE HOLDER           |      |
|   | FT002 | VMZ0087-001Z   | FUSE HOLDER           |      |
|   | FT003 | VMZ0087-001Z   | FUSE HOLDER           |      |
|   | FT004 | VMZ0087-001Z   | FUSE HOLDER           |      |

| △ | Item  | Parts Number | Description        | Area |
|---|-------|--------------|--------------------|------|
|   | FT005 | VMZ0087-001Z | FUSE HOLDER        |      |
|   | FT006 | VMZ0087-001Z | FUSE HOLDER        |      |
|   | FT007 | VMZ0087-001Z | FUSE HOLDER        |      |
|   | FT008 | VMZ0087-001Z | FUSE HOLDER        |      |
|   | FW501 | EWR39D-20SS  | FLAT WIRE ASSY     |      |
|   | FW581 | EWR35B-16SST | FLAT WIRE ASSY     |      |
|   | FW583 | EWR37D-10SS  | FLAT WIRE ASSY     |      |
|   | FW801 | EWR3AD-16SS  | FLAT WIRE ASSY     |      |
|   | JW001 | QWE886-24RR  | VINYL WIRE         |      |
|   | JW002 | QWE884-26RR  | VINYL WIRE         |      |
|   | JW003 | QWE889-24RR  | VINYL WIRE         |      |
|   | JW004 | QWE882-24RR  | VINYL WIRE         |      |
|   | JW005 | QWE883-24RR  | VINYL WIRE         |      |
|   | JW006 | QWE881-26RR  | VINYL WIRE         |      |
|   | JW801 | QWE350-14RR  | VINYL WIRE         |      |
|   | RY801 | ESK7D24-213R | RELAY              |      |
|   | RY881 | ESK7D24-213R | RELAY              |      |
|   | RY883 | ESK7D24-213R | RELAY              |      |
|   | SP851 | VYH7653-001  | SPRING             |      |
|   | TB001 | EMZ4001-001  | TAB                |      |
|   | TB002 | EMZ4001-001  | TAB                |      |
|   | TW101 | EWT011-178   | TERMINAL WIRE      |      |
|   | TW501 | EWT011-175   | TERMINAL WIRE ASSY |      |

■ Electrical Parts List (ENC-127)

| △ | Item  | Parts Number    | Description        | Area |
|---|-------|-----------------|--------------------|------|
|   |       | I. C. S         |                    |      |
|   | IC081 | TC9409F-000     | I. C (DIGI-MOS)    |      |
|   | IC102 | LA1836M         | I. C (MONO-ANALOG) |      |
|   | IC103 | MC13028M        | I. C (M)           |      |
|   | IC121 | LC72131M        | I. C (M)           |      |
|   | IC301 | BA15218N        | I. C (MONO-ANALOG) |      |
|   | IC302 | BA15218N        | I. C (MONO-ANALOG) |      |
|   | IC303 | BA15218N        | I. C (MONO-ANALOG) |      |
|   | IC304 | BA3126N         | I. C (MONO-ANALOG) |      |
|   | IC401 | TC9163N         | I. C (DIGI-MOS)    |      |
|   | IC411 | BA15218N        | I. C (MONO-ANALOG) |      |
|   | IC441 | TDA7319         | I. C (M)           |      |
|   | IC461 | NUM4580DD       | I. C (MONO-ANALOG) |      |
|   | IC471 | BA15218N        | I. C (MONO-ANALOG) |      |
|   | IC481 | UPD7001C        | I. C (MONO-ANALOG) |      |
|   |       | DIODES          |                    |      |
|   | D091  | MTZ2. OJAT-77   | ZENER DIODE        |      |
|   | D092  | MTZ3. OJAT-77   | ZENER DIODE        |      |
|   | D121  | 1SS133          | SI. DIODE          |      |
|   | D126  | 1SS133          | SI. DIODE          |      |
|   | D127  | 1SS133          | SI. DIODE          |      |
|   | D129  | 1SS133          | SI. DIODE          |      |
|   | D130  | 1SS133          | SI. DIODE          |      |
|   | D142  | MA700           | SI. DIODE          |      |
|   | D182  | 1SS133          | SI. DIODE          |      |
|   | D183  | 1SS133          | SI. DIODE          |      |
|   | D190  | 1SS133          | SI. DIODE          |      |
|   | D290  | 1SS133          | SI. DIODE          |      |
|   | D441  | MTZ10JC         | ZENER DIODE        |      |
|   | D479  | 1SS133          | SI. DIODE          |      |
|   | D480  | 1SS133          | SI. DIODE          |      |
|   | D481  | 1SS133          | SI. DIODE          |      |
|   | D495  | MTZ8. 2JC       | ZENER DIODE        |      |
|   | D498  | 1SS133          | SI. DIODE          |      |
|   | D499  | 1SS133          | SI. DIODE          |      |
|   | D561  | MTZ10JC         | ZENER DIODE        |      |
|   | D562  | 1SS254          | DIODE              |      |
|   | D563  | 1SS254          | DIODE              |      |
|   | D564  | 1SS254          | DIODE              |      |
|   | D565  | MTZ6. 8JC       | ZENER DIODE        |      |
|   | D566  | MTZ9. 1JC       | ZENER DIODE        |      |
|   | D567  | MTZ13JC         | ZENER DIODE        |      |
|   | D568  | MTZ13JC         | ZENER DIODE        |      |
|   | D581  | MTZ33JC         | ZENER DIODE        |      |
|   | D582  | 1SR35-100       | SI. DIODE          |      |
|   | D583  | 1SR35-100       | SI. DIODE          |      |
|   | D586  | MTZ7. 5JC       | ZENER DIODE        |      |
|   |       | TRANSISTORS     |                    |      |
|   | Q101  | 2SC461          | SI. TRANSISTOR     |      |
|   | Q102  | 2SC535          | SI. TRANSISTOR     |      |
|   | Q103  | 2SC461          | SI. TRANSISTOR     |      |
|   | Q121  | DTA124ES        | DIGITAL TRANSISTOR |      |
|   | Q122  | DTA124ES        | DIGITAL TRANSISTOR |      |
|   | Q141  | DTC114ES        | DIGITAL TRANSISTOR |      |
|   | Q142  | DTC114ES        | DIGITAL TRANSISTOR |      |
|   | Q143  | DTC114ES        | DIGITAL TRANSISTOR |      |
|   | Q190  | DTA124ES        | DIGITAL TRANSISTOR |      |
|   | Q195  | 2SD2144S (VW)   | SI. TRANSISTOR     |      |
|   | Q196  | 2SD2144S (VW)   | SI. TRANSISTOR     |      |
|   | Q197  | 2SC1740S (R, S) | SI. TRANSISTOR     |      |
|   | Q198  | 2SC1740S (R, S) | SI. TRANSISTOR     |      |
|   | Q199  | DTA124ES        | DIGITAL TRANSISTOR |      |
|   | Q301  | 2SD2144S (VW)   | SI. TRANSISTOR     |      |
|   | Q302  | 2SD2144S (VW)   | SI. TRANSISTOR     |      |
|   | Q303  | 2SC1740S (R, S) | SI. TRANSISTOR     |      |
|   | Q304  | 2SC1740S (R, S) | SI. TRANSISTOR     |      |
|   | Q305  | 2SC1740S (R, S) | SI. TRANSISTOR     |      |

| △ | Item | Parts Number    | Description           | Area |
|---|------|-----------------|-----------------------|------|
|   | Q306 | 2SC1740S (R, S) | SI. TRANSISTOR        |      |
|   | Q309 | DTC144TS        | DIGITAL TRANSISTOR    |      |
|   | Q310 | DTC144TS        | DIGITAL TRANSISTOR    |      |
|   | Q326 | 2SC1740S (R, S) | SI. TRANSISTOR        |      |
|   | Q327 | 2SC1740S (R, S) | SI. TRANSISTOR        |      |
|   | Q328 | 2SC1740S (R, S) | SI. TRANSISTOR        |      |
|   | Q329 | 2SC1740S (R, S) | SI. TRANSISTOR        |      |
|   | Q341 | 2SC1740S (R, S) | SI. TRANSISTOR        |      |
|   | Q342 | 2SC1740S (R, S) | SI. TRANSISTOR        |      |
|   | Q451 | 2SD2144S (VW)   | SI. TRANSISTOR        |      |
|   | Q452 | 2SD2144S (VW)   | SI. TRANSISTOR        |      |
|   | Q455 | DTA144ES        | DIGITAL TRANSISTOR    |      |
|   | Q491 | DTC114YS        | DIGITAL TRANSISTOR    |      |
|   | Q492 | DTC114YS        | DIGITAL TRANSISTOR    |      |
|   | Q495 | 2SD400P (E, F)  | SI. TRANSISTOR        |      |
|   | Q561 | 2SC1740S (R, S) | SI. TRANSISTOR        |      |
|   | Q562 | 2SA933S (RS)    | SI. TRANSISTOR        |      |
|   | Q563 | 2SB1187 (F, G)  | SI. TRANSISTOR        |      |
|   | Q564 | 2SC1740S (R, S) | SI. TRANSISTOR        |      |
|   | Q565 | 2SD2061 (F, G)  | SI. TRANSISTOR        |      |
|   | Q567 | 2SC1740S (R, S) | SI. TRANSISTOR        |      |
|   | Q568 | 2SD2061 (F, G)  | SI. TRANSISTOR        |      |
|   | Q569 | 2SC1740S (R, S) | SI. TRANSISTOR        |      |
|   | Q570 | 2SD2061 (F, G)  | SI. TRANSISTOR        |      |
|   | Q571 | 2SB1187 (F, G)  | SI. TRANSISTOR        |      |
|   | Q572 | DTA144ES        | DIGITAL TRANSISTOR    |      |
|   | Q575 | DTC144ES        | DIGITAL TRANSISTOR    |      |
|   | Q576 | DTA144ES        | DIGITAL TRANSISTOR    |      |
|   | Q577 | DTA144ES        | DIGITAL TRANSISTOR    |      |
|   | Q578 | DTC144ES        | DIGITAL TRANSISTOR    |      |
|   | Q581 | 2SA934 (Q, R)   | SI. TRANSISTOR        |      |
|   |      | CAPACITORS      |                       |      |
|   | C021 | QETB1HM-475E    | 4.7MF 50V E. CAP.     |      |
|   | C023 | QFLB1HJ-472     | 4700PF 50V MYLAR CA   |      |
|   | C027 | QCBB1HK-102Y    | 1000PF 50V CER. CAP.  |      |
|   | C029 | QCVB1CM-103Y    | 0.01MF 16V CER. CAP.  |      |
|   | C030 | QETB1AM-476     | 47MF 10V E. CAP.      |      |
|   | C031 | QER51EM-475     | 4.7MF 25V E. CAP.     |      |
|   | C032 | QER51EM-475     | 4.7MF 25V E. CAP.     |      |
|   | C033 | QFLB1HJ-222     | 2200PF 50V MYLAR CA   |      |
|   | C034 | QFLB1HJ-222     | 2200PF 50V MYLAR CA   |      |
|   | C037 | QCBB1HK-331Y    | 330PF 50V CER. CAP.   |      |
|   | C038 | QCBB1HK-331Y    | 330PF 50V CER. CAP.   |      |
|   | C039 | QCVB1CM-103Y    | 0.01MF 16V CER. CAP.  |      |
|   | C040 | QETB1AM-107     | 100MF 10V AL E. CA    |      |
|   | C058 | QCVB1CM-103Y    | 0.01MF 16V CER. CAP.  |      |
|   | C059 | QETB1AM-107     | 100MF 10V AL E. CA    |      |
|   | C071 | QETB1AM-107     | 100MF 10V AL E. CA    |      |
|   | C072 | QETB1AM-107     | 100MF 10V AL E. CA    |      |
|   | C073 | QCVB1CM-103Y    | 0.01MF 16V CER. CAP.  |      |
|   | C074 | QCVB1CM-103Y    | 0.01MF 16V CER. CAP.  |      |
|   | C075 | QETB1AM-107     | 100MF 10V AL E. CA    |      |
|   | C076 | QCVB1CM-103Y    | 0.01MF 16V CER. CAP.  |      |
|   | C077 | QETB1AM-107     | 100MF 10V AL E. CA    |      |
|   | C078 | QCVB1CM-103Y    | 0.01MF 16V CER. CAP.  |      |
|   | C079 | QETB1AM-107     | 100MF 10V AL E. CA    |      |
|   | C080 | QCVB1CM-103Y    | 0.01MF 16V CER. CAP.  |      |
|   | C081 | QCS31HJ-6R0Z    | 6PF 50V CER. CAP.     |      |
|   | C082 | QCS31HJ-6R0Z    | 6PF 50V CER. CAP.     |      |
|   | C086 | QCVB1CM-103Y    | 0.01MF 16V CER. CAP.  |      |
|   | C088 | QCFB1HZ-104Y    | 0.1MF 50V CER. CAP.   |      |
|   | C089 | QCBB1HK-561Y    | 560PF 50V CER. CAP.   |      |
|   | C101 | QCF21HP-103A    | 0.01MF 50V CER. CAP.  |      |
|   | C102 | QETB1EM-476     | 47MF 25V AL E. CA     |      |
|   | C103 | QCF21HP-223A    | 0.022MF 50V CER. CAP. |      |
|   | C104 | QCHB1EZ-223     | 0.022MF 25V CER. CAP. |      |
|   | C105 | QCHB1EZ-223     | 0.022MF 25V CER. CAP. |      |

## ■ Electrical Parts List (ENC-127)

| △ | Item | Parts Number  | Description           | Area |
|---|------|---------------|-----------------------|------|
|   | C107 | QCHB1EZ-223   | 0.022MF 25V CER. CAP. |      |
|   | C111 | QCHB1EZ-223   | 0.022MF 25V CER. CAP. |      |
|   | C112 | QCT30CH-120Y  | 12PF 50V CER. CAP.    |      |
|   | C113 | QCC21EM-473   | 0.047MF 25V CER. CAP. |      |
|   | C121 | QCT30CH-180Y  | 18PF 50V CER. CAP.    |      |
|   | C122 | QCT30CH-180Y  | 18PF 50V CER. CAP.    |      |
|   | C123 | QCC21EM-473   | 0.047MF 25V CER. CAP. |      |
|   | C124 | QCS21HJ-101A  | 100PF 50V CER. CAP.   |      |
|   | C126 | QCB1HK-101Y   | 100PF 50V CER. CAP.   |      |
|   | C128 | QFV71HJ-474ZM | 0.47MF 50V THIN FIL   |      |
|   | C129 | QCB1HK-102Y   | 1000PF 50V CER. CAP.  |      |
|   | C130 | QETB1CM-227   | 220MF 16V AL E. CA    |      |
|   | C131 | QCXB1CM-472Y  | 4700PF 16V CER. CAP.  |      |
|   | C132 | QCXB1CM-472Y  | 4700PF 16V CER. CAP.  |      |
|   | C141 | QCC21EM-473   | 0.047MF 25V CER. CAP. |      |
|   | C142 | QETB1HM-106   | 10MF 50V E. CAP.      |      |
|   | C143 | QCHB1EZ-223   | 0.022MF 25V CER. CAP. |      |
|   | C144 | QCC21EM-223   | 0.022MF 25V CER. CAP. |      |
|   | C145 | QETB1HM-475E  | 4.7MF 50V E. CAP.     |      |
|   | C146 | QETB1HM-106   | 10MF 50V E. CAP.      |      |
|   | C147 | QETB1HM-105   | 1MF 50V AL E. CA      |      |
|   | C148 | QETB1HM-474   | 0.47MF 50V E. CAP.    |      |
|   | C149 | QETB1HM-105   | 1MF 50V AL E. CA      |      |
|   | C150 | QETC1HM-225ZN | 2.2MF 50V AL E. CA    |      |
|   | C153 | QCY31HK-821Z  | 820PF 50V CER. CAP.   |      |
|   | C154 | QCXB1CM-472Y  | 4700PF 16V CER. CAP.  |      |
|   | C155 | QETB1EM-476   | 47MF 25V AL E. CA     |      |
|   | C156 | QCHB1EZ-223   | 0.022MF 25V CER. CAP. |      |
|   | C157 | QCF21HP-473A  | 0.047MF 50V CER. CAP. |      |
|   | C158 | QETB1HM-106   | 10MF 50V E. CAP.      |      |
|   | C159 | QFLB1HJ-333   | 0.033MF 50V MYLAR CA  |      |
|   | C160 | QFLB1HJ-333   | 0.033MF 50V MYLAR CA  |      |
|   | C161 | QETB1HM-225   | 2.2MF 50V AL E. CA    |      |
|   | C162 | QETB1HM-225   | 2.2MF 50V AL E. CA    |      |
|   | C163 | QETB1EM-106   | 10MF 25V AL E. CA     |      |
|   | C164 | QCVB1CM-103Y  | 0.01MF 16V CER. CAP.  |      |
|   | C165 | QCHB1EZ-223   | 0.022MF 25V CER. CAP. |      |
|   | C167 | QFLB1HJ-102   | 1000PF 50V MYLAR CA   |      |
|   | C168 | QFV81HJ-274   | 0.27MF 50V THIN FIL   |      |
|   | C169 | QCZ0205-155   | 1.5MF 25V C. CAP.     |      |
|   | C170 | QETB1HM-106   | 10MF 50V E. CAP.      |      |
|   | C171 | QFV71HJ-474ZM | 0.47MF 50V THIN FIL   |      |
|   | C172 | QETB1HM-106   | 10MF 50V E. CAP.      |      |
|   | C173 | QETB1EM-226N  | 22MF 25V E. CAP.      |      |
|   | C174 | QETB1HM-106   | 10MF 50V E. CAP.      |      |
|   | C175 | QETB1HM-474   | 0.47MF 50V E. CAP.    |      |
|   | C176 | QFV81HJ-224   | 0.22MF 50V THIN FIL   |      |
|   | C177 | QCT25CH-470Z  | 47PF 50V CER. CAP.    |      |
|   | C178 | QETB1EM-476   | 47MF 25V AL E. CA     |      |
|   | C179 | QCHB1EZ-223   | 0.022MF 25V CER. CAP. |      |
|   | C180 | QETB1EM-226N  | 22MF 25V E. CAP.      |      |
|   | C181 | QFLB1HJ-562   | 5600PF 50V MYLAR CA   |      |
|   | C182 | QFLB1HJ-562   | 5600PF 50V MYLAR CA   |      |
|   | C185 | QETB1HM-225   | 2.2MF 50V AL E. CA    |      |
|   | C186 | QETB1HM-225   | 2.2MF 50V AL E. CA    |      |
|   | C191 | QETB1HM-225   | 2.2MF 50V AL E. CA    |      |
|   | C192 | QETB1HM-225   | 2.2MF 50V AL E. CA    |      |
|   | C193 | QCHB1EZ-223   | 0.022MF 25V CER. CAP. |      |
|   | C301 | QETB1HM-225   | 2.2MF 50V AL E. CA    |      |
|   | C302 | QETB1HM-225   | 2.2MF 50V AL E. CA    |      |
|   | C303 | QETB1HM-225   | 2.2MF 50V AL E. CA    |      |
|   | C304 | QETB1HM-225   | 2.2MF 50V AL E. CA    |      |
|   | C305 | QCB1HK-101Y   | 100PF 50V CER. CAP.   |      |
|   | C306 | QCB1HK-101Y   | 100PF 50V CER. CAP.   |      |
|   | C307 | QCB1HK-181Y   | 180PF 50V CER. CAP.   |      |
|   | C308 | QCB1HK-181Y   | 180PF 50V CER. CAP.   |      |
|   | C309 | QETB1EM-106   | 10MF 25V AL E. CA     |      |

| △ | Item | Parts Number | Description           | Area |
|---|------|--------------|-----------------------|------|
|   | C310 | QETB1EM-106  | 10MF 25V AL E. CA     |      |
|   | C311 | QCSB1HJ-470  | 47PF 50V CER. CAP.    |      |
|   | C312 | QCSB1HJ-470  | 47PF 50V CER. CAP.    |      |
|   | C313 | QETB1CM-476  | 47MF 16V AL E. CA     |      |
|   | C314 | QETB1CM-476  | 47MF 16V AL E. CA     |      |
|   | C315 | QETB1HM-105  | 1MF 50V AL E. CA      |      |
|   | C316 | QETB1HM-105  | 1MF 50V AL E. CA      |      |
|   | C317 | QETB1EM-106  | 10MF 25V AL E. CA     |      |
|   | C318 | QETB1CM-107  | 100MF 16V AL E. CA    |      |
|   | C320 | QFLB1HJ-682  | 6800PF 50V MYLAR CA   |      |
|   | C321 | QFLB1HJ-332  | 3300PF 50V MYLAR CA   |      |
|   | C322 | QFLB1HJ-332  | 3300PF 50V MYLAR CA   |      |
|   | C323 | QFLB1HJ-183  | 0.018MF 50V MYLAR CA  |      |
|   | C324 | QFP31HG-472  | 4700PF 50V POLYPROP   |      |
|   | C325 | QCB1HK-101Y  | 100PF 50V CER. CAP.   |      |
|   | C326 | QCB1HK-101Y  | 100PF 50V CER. CAP.   |      |
|   | C331 | QCXB1CM-152Y | 1500PF 16V CER. CAP.  |      |
|   | C332 | QCXB1CM-152Y | 1500PF 16V CER. CAP.  |      |
|   | C333 | QFLB1HJ-333  | 0.033MF 50V MYLAR CA  |      |
|   | C334 | QFLB1HJ-333  | 0.033MF 50V MYLAR CA  |      |
|   | C347 | QFLB1HJ-682  | 6800PF 50V MYLAR CA   |      |
|   | C348 | QFLB1HJ-682  | 6800PF 50V MYLAR CA   |      |
|   | C349 | QFLB1HJ-103  | 0.01MF 50V MYLAR CA   |      |
|   | C350 | QFLB1HJ-103  | 0.01MF 50V MYLAR CA   |      |
|   | C353 | QCY21HK-392  | 3900PF 50V CER. CAP.  |      |
|   | C354 | QCY21HK-392  | 3900PF 50V CER. CAP.  |      |
|   | C355 | QFN81HJ-822  | 8200PF 50V METAL. MY  |      |
|   | C356 | QFN81HJ-822  | 8200PF 50V METAL. MY  |      |
|   | C361 | QCF21HP-473A | 0.047MF 50V CER. CAP. |      |
|   | C362 | QCF21HP-473A | 0.047MF 50V CER. CAP. |      |
|   | C365 | QEK51HM-226  | 22MF 50V AL E. CA     |      |
|   | C366 | QEK51HM-226  | 22MF 50V AL E. CA     |      |
|   | C367 | QFLB1HJ-682  | 6800PF 50V MYLAR CA   |      |
|   | C368 | QFLB1HJ-682  | 6800PF 50V MYLAR CA   |      |
|   | C369 | QETB1AM-107  | 100MF 10V AL E. CA    |      |
|   | C370 | QETB1AM-107  | 100MF 10V AL E. CA    |      |
|   | C371 | QETB1HM-225  | 2.2MF 50V AL E. CA    |      |
|   | C372 | QETB1HM-225  | 2.2MF 50V AL E. CA    |      |
|   | C373 | QETB1CM-476  | 47MF 16V AL E. CA     |      |
|   | C374 | QETB1CM-476  | 47MF 16V AL E. CA     |      |
|   | C375 | QCB1HK-101Y  | 100PF 50V CER. CAP.   |      |
|   | C376 | QCB1HK-101Y  | 100PF 50V CER. CAP.   |      |
|   | C377 | QCXB1CM-122  | 1200PF 16V POLYPROP   |      |
|   | C378 | QCXB1CM-122  | 1200PF 16V POLYPROP   |      |
|   | C379 | QCB1HK-331Y  | 330PF 50V CER. CAP.   |      |
|   | C380 | QCB1HK-331Y  | 330PF 50V CER. CAP.   |      |
|   | C381 | QETB1CM-476  | 47MF 16V AL E. CA     |      |
|   | C385 | QFLB1HJ-682  | 6800PF 50V MYLAR CA   |      |
|   | C386 | QFLB1HJ-682  | 6800PF 50V MYLAR CA   |      |
|   | C387 | QETB1AM-107  | 100MF 10V AL E. CA    |      |
|   | C388 | QETB1AM-107  | 100MF 10V AL E. CA    |      |
|   | C389 | QETB1HM-225  | 2.2MF 50V AL E. CA    |      |
|   | C390 | QETB1HM-225  | 2.2MF 50V AL E. CA    |      |
|   | C391 | QETB1CM-107  | 100MF 16V AL E. CA    |      |
|   | C392 | QETB1CM-107  | 100MF 16V AL E. CA    |      |
|   | C393 | QCB1HK-101Y  | 100PF 50V CER. CAP.   |      |
|   | C394 | QCB1HK-101Y  | 100PF 50V CER. CAP.   |      |
|   | C395 | QCB1HK-331Y  | 330PF 50V CER. CAP.   |      |
|   | C396 | QCB1HK-331Y  | 330PF 50V CER. CAP.   |      |
|   | C397 | QCB1HK-391Y  | 390PF 50V CER. CAP.   |      |
|   | C398 | QCB1HK-391Y  | 390PF 50V CER. CAP.   |      |
|   | C401 | QCHB1EZ-223  | 0.022MF 25V CER. CAP. |      |
|   | C411 | QETB1EM-226N | 22MF 25V E. CAP.      |      |
|   | C412 | QETB1EM-226N | 22MF 25V E. CAP.      |      |
|   | C415 | QETB1HM-475E | 4.7MF 50V E. CAP.     |      |
|   | C416 | QETB1HM-475E | 4.7MF 50V E. CAP.     |      |
|   | C417 | QETB1CM-476  | 47MF 16V AL E. CA     |      |



■ Electrical Parts List (ENC-127)

| △ | Item | Parts Number  | Description          | Area |
|---|------|---------------|----------------------|------|
|   | C418 | QETB1CM-476   | 47MF 16V AL E. CA    |      |
|   | C421 | QCXB1CM-222Y  | 2200PF 16V CER. CAP. |      |
|   | C422 | QCXB1CM-222Y  | 2200PF 16V CER. CAP. |      |
|   | C425 | QETB1HM-225   | 2.2MF 50V AL E. CA   |      |
|   | C426 | QETB1HM-225   | 2.2MF 50V AL E. CA   |      |
|   | C429 | QETB1EM-107   | 100MF 25V AL E. CA   |      |
|   | C430 | QETB1EM-107   | 100MF 25V AL E. CA   |      |
|   | C441 | QCXB1CM-272Y  | 2700PF 16V CER. CAP. |      |
|   | C442 | QCXB1CM-272Y  | 2700PF 16V CER. CAP. |      |
|   | C443 | QFV71HJ-124ZM | 0.12MF 50V THIN FIL  |      |
|   | C444 | QFV71HJ-124ZM | 0.12MF 50V THIN FIL  |      |
|   | C445 | QFV81HJ-224   | 0.22MF 50V THIN FIL  |      |
|   | C446 | QFV81HJ-224   | 0.22MF 50V THIN FIL  |      |
|   | C447 | QFV81HJ-154   | 0.15MF 50V THIN FIL  |      |
|   | C448 | QFV81HJ-154   | 0.15MF 50V THIN FIL  |      |
|   | C449 | QFV81HJ-564   | 0.56MF 50V THIN FIL  |      |
|   | C450 | QFV81HJ-564   | 0.56MF 50V THIN FIL  |      |
|   | C451 | QETB1HM-105   | 1MF 50V AL E. CA     |      |
|   | C452 | QETB1HM-105   | 1MF 50V AL E. CA     |      |
|   | C453 | QETB1HM-105   | 1MF 50V AL E. CA     |      |
|   | C454 | QETB1HM-105   | 1MF 50V AL E. CA     |      |
|   | C455 | QETB1CM-226   | 22MF 16V E. CAP.     |      |
|   | C456 | QETB1EM-107   | 100MF 25V AL E. CA   |      |
|   | C457 | QETB1CM-226   | 22MF 16V E. CAP.     |      |
|   | C461 | QFLB1HJ-472   | 4700PF 50V MYLAR CA  |      |
|   | C462 | QFLB1HJ-472   | 4700PF 50V MYLAR CA  |      |
|   | C463 | QFLB1HJ-821   | 820PF 50V MYLAR CA   |      |
|   | C464 | QFLB1HJ-821   | 820PF 50V MYLAR CA   |      |
|   | C465 | QETB1HM-105   | 1MF 50V AL E. CA     |      |
|   | C466 | QETB1HM-105   | 1MF 50V AL E. CA     |      |
|   | C471 | QETB1HM-225   | 2.2MF 50V AL E. CA   |      |
|   | C472 | QETB1CM-476   | 47MF 16V AL E. CA    |      |
|   | C473 | QCSB1HJ-470   | 47PF 50V CER. CAP.   |      |
|   | C474 | QCSB1HJ-100Y  | 10PF 50V CER. CAP.   |      |
|   | C475 | QETB1HM-225   | 2.2MF 50V AL E. CA   |      |
|   | C476 | QETB1CM-476   | 47MF 16V AL E. CA    |      |
|   | C477 | QFV81HJ-104   | 0.1MF 50V THIN FIL   |      |
|   | C478 | QFV71HJ-474ZM | 0.47MF 50V THIN FIL  |      |
|   | C480 | QFLB1HJ-223   | 0.022MF 50V MYLAR CA |      |
|   | C481 | QFLB1HJ-152   | 1500PF 50V MYLAR CA  |      |
|   | C482 | QETB1HM-474   | 0.47MF 50V E. CAP.   |      |
|   | C483 | QETB1HM-474   | 0.47MF 50V E. CAP.   |      |
|   | C484 | QETB1HM-474   | 0.47MF 50V E. CAP.   |      |
|   | C487 | QETB1CM-476   | 47MF 16V AL E. CA    |      |
|   | C494 | QCSB1HJ-470   | 47PF 50V CER. CAP.   |      |
|   | C561 | QETB1HM-106   | 10MF 50V E. CAP.     |      |
|   | C562 | QCVB1CM-103Y  | 0.01MF 16V CER. CAP. |      |
|   | C563 | QETB1EM-106   | 10MF 25V AL E. CA    |      |
|   | C564 | QETB1AM-476   | 47MF 10V E. CAP.     |      |
|   | C565 | QCVB1CM-103Y  | 0.01MF 16V CER. CAP. |      |
|   | C566 | QETB1EM-106   | 10MF 25V AL E. CA    |      |
|   | C567 | QETB1CM-226   | 22MF 16V E. CAP.     |      |
|   | C568 | QCF21HP-103A  | 0.01MF 50V CER. CAP. |      |
|   | C569 | QETB1EM-106   | 10MF 25V AL E. CA    |      |
|   | C570 | QETB1CM-476   | 47MF 16V AL E. CA    |      |
|   | C571 | QFLB1HJ-103   | 0.01MF 50V MYLAR CA  |      |
|   | C572 | QETB1EM-106   | 10MF 25V AL E. CA    |      |
|   | C573 | QETB1CM-476   | 47MF 16V AL E. CA    |      |
|   | C574 | QFLB1HJ-103   | 0.01MF 50V MYLAR CA  |      |
|   | C575 | QETB1EM-106   | 10MF 25V AL E. CA    |      |
|   | C581 | QCVB1CM-103Y  | 0.01MF 16V CER. CAP. |      |
|   | C582 | QETB1JM-107   | 100MF 63V AL E. CA   |      |
|   | C583 | QETB1JM-476   | 47MF 63V AL E. CA    |      |
|   | C584 | QETB1HM-226E  | 22MF 50V E. CAP.     |      |
|   | C585 | QETB1HM-226E  | 22MF 50V E. CAP.     |      |
|   | C586 | QETB1HM-476   | 47MF 50V E. CAP.     |      |
|   | C589 | QETB1HM-105   | 1MF 50V AL E. CA     |      |

| △ | Item  | Parts Number | Description         | Area |
|---|-------|--------------|---------------------|------|
|   | C590  | QETB1HM-105  | 1MF 50V AL E. CA    |      |
|   | C600  | QCZ0205-155  | 1.5MF 25V C. CAP.   |      |
|   | C601  | QCS31HJ-561Z | 560PF 50V CER. CAP. |      |
|   | C602  | QCZ0205-155  | 1.5MF 25V C. CAP.   |      |
|   | C603  | QCZ0205-155  | 1.5MF 25V C. CAP.   |      |
|   | CO001 | QETB0JM-227  | 220MF 6.3V E. CAP.  |      |
|   |       | RESISTORS    |                     |      |
|   | R023  | QRD161J-103  | 10K 1/6W CARBON R   |      |
|   | R025  | QRD161J-103  | 10K 1/6W CARBON R   |      |
|   | R027  | QRD161J-103  | 10K 1/6W CARBON R   |      |
|   | R033  | QRD161J-103  | 10K 1/6W CARBON R   |      |
|   | R034  | QRD161J-103  | 10K 1/6W CARBON R   |      |
|   | R035  | QRD161J-103  | 10K 1/6W CARBON R   |      |
|   | R036  | QRD161J-103  | 10K 1/6W CARBON R   |      |
|   | R037  | QRD161J-103  | 10K 1/6W CARBON R   |      |
|   | R038  | QRD161J-103  | 10K 1/6W CARBON R   |      |
|   | R068  | QRD161J-222  | 2.2K 1/6W CARBON R  |      |
|   | R069  | QRD161J-222  | 2.2K 1/6W CARBON R  |      |
|   | R070  | QRD161J-222  | 2.2K 1/6W CARBON R  |      |
|   | R071  | QRD161J-100  | 10 1/6W CARBON R    |      |
|   | R072  | QRD161J-100  | 10 1/6W CARBON R    |      |
|   | R075  | QRD161J-100  | 10 1/6W CARBON R    |      |
|   | R088  | QRD161J-222  | 2.2K 1/6W CARBON R  |      |
|   | R091  | QRD161J-102  | 1K 1/6W CARBON R    |      |
|   | R092  | QRD161J-102  | 1K 1/6W CARBON R    |      |
|   | R102  | QRD167J-332  | 3.3K 1/6W CARBON R  |      |
|   | R103  | QRD161J-221  | 220 1/6W CARBON R   |      |
|   | R104  | QRD167J-272  | 2.7K 1/6W CARBON R  |      |
|   | R105  | QRD161J-391  | 390 1/6W CARBON R   |      |
|   | R106  | QRD161J-102  | 1K 1/6W CARBON R    |      |
|   | R107  | QRD161J-681  | 680 1/6W CARBON R   |      |
|   | R108  | QRD167J-332  | 3.3K 1/6W CARBON R  |      |
|   | R109  | QRD161J-221  | 220 1/6W CARBON R   |      |
|   | R111  | QRD161J-103  | 10K 1/6W CARBON R   |      |
|   | R112  | QRD161J-103  | 10K 1/6W CARBON R   |      |
|   | R115  | QRD161J-104  | 100K 1/6W CARBON R  |      |
|   | R119  | QRD161J-222  | 2.2K 1/6W CARBON R  |      |
|   | R121  | QRD161J-473  | 47K 1/6W CARBON R   |      |
|   | R122  | QRD161J-472  | 4.7K 1/6W CARBON R  |      |
|   | R124  | QRD161J-222  | 2.2K 1/6W CARBON R  |      |
|   | R125  | QRD161J-103  | 10K 1/6W CARBON R   |      |
|   | R127  | QRD167J-822  | 8.2K 1/6W CARBON R  |      |
|   | R128  | QRD161J-472  | 4.7K 1/6W CARBON R  |      |
|   | R129  | QRD161J-222  | 2.2K 1/6W CARBON R  |      |
| △ | R130  | QRZ0077-680  | 68 1/4W FUSIBLE     |      |
|   | R132  | QRD161J-102  | 1K 1/6W CARBON R    |      |
|   | R133  | QRD161J-473  | 47K 1/6W CARBON R   |      |
|   | R134  | QRD161J-102  | 1K 1/6W CARBON R    |      |
|   | R141  | QRD161J-392  | 3.9K 1/6W CARBON R  |      |
|   | R142  | QRD161J-103  | 10K 1/6W CARBON R   |      |
|   | R143  | QRD161J-103  | 10K 1/6W CARBON R   |      |
|   | R144  | QRD167J-332  | 3.3K 1/6W CARBON R  |      |
|   | R145  | QRD161J-103  | 10K 1/6W CARBON R   |      |
|   | R146  | QRD167J-272  | 2.7K 1/6W CARBON R  |      |
|   | R147  | QRD161J-473  | 47K 1/6W CARBON R   |      |
|   | R148  | QRD161J-561  | 560 1/6W CARBON R   |      |
|   | R151  | QRD167J-223  | 22K 1/6W CARBON R   |      |
|   | R152  | QRD167J-223  | 22K 1/6W CARBON R   |      |
|   | R161  | QRD161J-102  | 1K 1/6W CARBON R    |      |
|   | R162  | QRD161J-102  | 1K 1/6W CARBON R    |      |
|   | R163  | QRD161J-472  | 4.7K 1/6W CARBON R  |      |
|   | R164  | QRD161J-472  | 4.7K 1/6W CARBON R  |      |
|   | R171  | QRD161J-470  | 47 1/6W CARBON R    |      |
|   | R172  | QRD161J-103  | 10K 1/6W CARBON R   |      |
|   | R182  | QRD161J-103  | 10K 1/6W CARBON R   |      |
|   | R183  | QRD161J-103  | 10K 1/6W CARBON R   |      |
|   | R184  | QRD161J-472  | 4.7K 1/6W CARBON R  |      |

### ■ Electrical Parts List (ENG-127)

| △ | Item | Parts Number  | Description         | Area |
|---|------|---------------|---------------------|------|
|   | R191 | QRD161J-222   | 2. 2K 1/6W CARBON R |      |
|   | R192 | QRD161J-222   | 2. 2K 1/6W CARBON R |      |
|   | R193 | QRD161J-102   | 1K 1/6W CARBON R    |      |
|   | R194 | QRD161J-102   | 1K 1/6W CARBON R    |      |
|   | R195 | QRD161J-473   | 47K 1/6W CARBON R   |      |
|   | R196 | QRD161J-473   | 47K 1/6W CARBON R   |      |
|   | R197 | QRD161J-473   | 47K 1/6W CARBON R   |      |
|   | R198 | QRD161J-473   | 47K 1/6W CARBON R   |      |
|   | R271 | QRD161J-104   | 100K 1/6W CARBON R  |      |
|   | R272 | QRD161J-104   | 100K 1/6W CARBON R  |      |
|   | R280 | QRD161J-221   | 220 1/6W CARBON R   |      |
|   | R281 | QRD161J-224   | 220K 1/6W CARBON R  |      |
|   | R282 | QRD161J-224   | 220K 1/6W CARBON R  |      |
|   | R283 | QRD161J-100   | 10 1/6W CARBON R    |      |
|   | R284 | QRD161J-100   | 10 1/6W CARBON R    |      |
|   | R285 | QRD161J-393   | 39K 1/6W CARBON R   |      |
|   | R286 | QRD161J-393   | 39K 1/6W CARBON R   |      |
|   | R287 | QRD14CJ-6R8SX | 6. 8 1/4W UNF. CARB |      |
| △ | R288 | QRD14CJ-100SX | 10 1/4W UNF. CARB   |      |
|   | R290 | QRD167J-332   | 3. 3K 1/6W CARBON R |      |
|   | R292 | QRD161J-221   | 220 1/6W CARBON R   |      |
|   | R293 | QRD167J-511   | 510 1/6W CARBON R   |      |
|   | R294 | QRD161J-561   | 560 1/6W CARBON R   |      |
|   | R296 | QRD161J-104   | 100K 1/6W CARBON R  |      |
|   | R297 | QRD161J-222   | 2. 2K 1/6W CARBON R |      |
|   | R301 | QRD161J-103   | 10K 1/6W CARBON R   |      |
|   | R302 | QRD161J-103   | 10K 1/6W CARBON R   |      |
|   | R303 | QRD167J-153   | 15K 1/6W CARBON R   |      |
|   | R304 | QRD167J-153   | 15K 1/6W CARBON R   |      |
|   | R315 | QRD161J-103   | 10K 1/6W CARBON R   |      |
|   | R316 | QRD161J-103   | 10K 1/6W CARBON R   |      |
|   | R317 | QRD161J-103   | 10K 1/6W CARBON R   |      |
|   | R318 | QRD161J-103   | 10K 1/6W CARBON R   |      |
|   | R319 | QRD161J-103   | 10K 1/6W CARBON R   |      |
|   | R320 | QRD161J-103   | 10K 1/6W CARBON R   |      |
|   | R321 | QRD161J-103   | 10K 1/6W CARBON R   |      |
|   | R322 | QRD161J-103   | 10K 1/6W CARBON R   |      |
|   | R323 | QRD167J-562   | 5. 6K 1/6W CARBON R |      |
|   | R324 | QRD167J-562   | 5. 6K 1/6W CARBON R |      |
|   | R325 | QRD167J-562   | 5. 6K 1/6W CARBON R |      |
|   | R326 | QRD167J-562   | 5. 6K 1/6W CARBON R |      |
|   | R331 | QRD167J-682   | 6. 8K 1/6W CARBON R |      |
|   | R332 | QRD167J-682   | 6. 8K 1/6W CARBON R |      |
|   | R333 | QRD167J-151   | 150 1/6W CARBON R   |      |
|   | R334 | QRD167J-151   | 150 1/6W CARBON R   |      |
|   | R347 | QRD161J-221   | 220 1/6W CARBON R   |      |
|   | R348 | QRD161J-221   | 220 1/6W CARBON R   |      |
|   | R349 | QRD161J-821   | 820 1/6W CARBON R   |      |
|   | R350 | QRD161J-821   | 820 1/6W CARBON R   |      |
|   | R351 | QRD167J-272   | 2. 7K 1/6W CARBON R |      |
|   | R352 | QRD167J-272   | 2. 7K 1/6W CARBON R |      |
|   | R353 | QRD161J-103   | 10K 1/6W CARBON R   |      |
|   | R354 | QRD161J-103   | 10K 1/6W CARBON R   |      |
|   | R355 | QRD161J-243   | 24K 1/6W CARBON R   |      |
|   | R356 | QRD161J-243   | 24K 1/6W CARBON R   |      |
|   | R357 | QRD161J-683   | 68K 1/6W CARBON R   |      |
|   | R358 | QRD161J-683   | 68K 1/6W CARBON R   |      |
|   | R359 | QRD167J-223   | 22K 1/6W CARBON R   |      |
|   | R360 | QRD167J-223   | 22K 1/6W CARBON R   |      |
|   | R361 | QRD161J-393   | 39K 1/6W CARBON R   |      |
|   | R362 | QRD161J-393   | 39K 1/6W CARBON R   |      |
|   | R363 | QRD161J-221   | 220 1/6W CARBON R   |      |
|   | R364 | QRD161J-221   | 220 1/6W CARBON R   |      |
|   | R367 | QRD161J-274   | 270K 1/6W CARBON R  |      |
|   | R368 | QRD161J-274   | 270K 1/6W CARBON R  |      |
|   | R369 | QRD161J-470   | 47 1/6W CARBON R    |      |
|   | R370 | QRD161J-470   | 47 1/6W CARBON R    |      |

| △ | Item | Parts Number  | Description         | Area |
|---|------|---------------|---------------------|------|
|   | R371 | QRD161J-203   | 20K 1/6W CARBON R   |      |
|   | R372 | QRD161J-203   | 20K 1/6W CARBON R   |      |
|   | R375 | QRD161J-103   | 10K 1/6W CARBON R   |      |
|   | R376 | QRD161J-103   | 10K 1/6W CARBON R   |      |
|   | R377 | QRD161J-221   | 220 1/6W CARBON R   |      |
|   | R378 | QRD161J-221   | 220 1/6W CARBON R   |      |
|   | R379 | QRD161J-912   | 9. 1K 1/6W CARBON R |      |
|   | R380 | QRD161J-912   | 9. 1K 1/6W CARBON R |      |
|   | R381 | QRD161J-221   | 220 1/6W CARBON R   |      |
|   | R382 | QRD161J-221   | 220 1/6W CARBON R   |      |
|   | R385 | QRD161J-274   | 270K 1/6W CARBON R  |      |
|   | R386 | QRD161J-274   | 270K 1/6W CARBON R  |      |
|   | R387 | QRD161J-470   | 47 1/6W CARBON R    |      |
|   | R388 | QRD161J-470   | 47 1/6W CARBON R    |      |
|   | R391 | QRD161J-203   | 20K 1/6W CARBON R   |      |
|   | R392 | QRD161J-203   | 20K 1/6W CARBON R   |      |
|   | R401 | QRD167J-562   | 5. 6K 1/6W CARBON R |      |
|   | R402 | QRD167J-562   | 5. 6K 1/6W CARBON R |      |
|   | R403 | QRD161J-184   | 180K 1/6W CARBON R  |      |
|   | R404 | QRD161J-184   | 180K 1/6W CARBON R  |      |
|   | R405 | QRD161J-333   | 33K 1/6W CARBON R   |      |
|   | R406 | QRD161J-333   | 33K 1/6W CARBON R   |      |
|   | R407 | QRD161J-183   | 18K 1/6W CARBON R   |      |
|   | R408 | QRD161J-183   | 18K 1/6W CARBON R   |      |
|   | R409 | QRD161J-221   | 220 1/6W CARBON R   |      |
|   | R410 | QRD161J-221   | 220 1/6W CARBON R   |      |
|   | R411 | QRD161J-104   | 100K 1/6W CARBON R  |      |
|   | R412 | QRD161J-104   | 100K 1/6W CARBON R  |      |
|   | R413 | QRD161J-104   | 100K 1/6W CARBON R  |      |
|   | R414 | QRD161J-104   | 100K 1/6W CARBON R  |      |
|   | R415 | QRD161J-104   | 100K 1/6W CARBON R  |      |
|   | R416 | QRD161J-104   | 100K 1/6W CARBON R  |      |
|   | R417 | QRD167J-332   | 3. 3K 1/6W CARBON R |      |
|   | R418 | QRD167J-332   | 3. 3K 1/6W CARBON R |      |
|   | R419 | QRD161J-242   | 2. 4K 1/6W CARBON R |      |
|   | R420 | QRD161J-242   | 2. 4K 1/6W CARBON R |      |
|   | R421 | QRD161J-103   | 10K 1/6W CARBON R   |      |
|   | R422 | QRD161J-103   | 10K 1/6W CARBON R   |      |
|   | R425 | QRD161J-224   | 220K 1/6W CARBON R  |      |
|   | R426 | QRD161J-224   | 220K 1/6W CARBON R  |      |
| △ | R429 | QRD14CJ-680SX | 68 1/4W UNF. CARB   |      |
| △ | R430 | QRD14CJ-680SX | 68 1/4W UNF. CARB   |      |
|   | R441 | QRD161J-222   | 2. 2K 1/6W CARBON R |      |
|   | R442 | QRD161J-222   | 2. 2K 1/6W CARBON R |      |
|   | R443 | QRD161J-222   | 2. 2K 1/6W CARBON R |      |
|   | R444 | QRD161J-222   | 2. 2K 1/6W CARBON R |      |
|   | R447 | QRD161J-221   | 220 1/6W CARBON R   |      |
|   | R449 | QRD161J-103   | 10K 1/6W CARBON R   |      |
|   | R450 | QRD161J-103   | 10K 1/6W CARBON R   |      |
|   | R451 | QRD161J-103   | 10K 1/6W CARBON R   |      |
|   | R452 | QRD161J-103   | 10K 1/6W CARBON R   |      |
|   | R453 | QRD161J-221   | 220 1/6W CARBON R   |      |
|   | R454 | QRD161J-221   | 220 1/6W CARBON R   |      |
|   | R455 | QRD161J-123   | 12K 1/6W CARBON R   |      |
|   | R456 | QRD161J-123   | 12K 1/6W CARBON R   |      |
|   | R457 | QRD161J-133Y  | 13K 1/6W CARBON R   |      |
|   | R458 | QRD161J-133Y  | 13K 1/6W CARBON R   |      |
|   | R459 | QRD161J-102   | 1K 1/6W CARBON R    |      |
|   | R461 | QRD161J-222   | 2. 2K 1/6W CARBON R |      |
|   | R462 | QRD161J-222   | 2. 2K 1/6W CARBON R |      |
|   | R463 | QRD161J-222   | 2. 2K 1/6W CARBON R |      |
|   | R464 | QRD161J-222   | 2. 2K 1/6W CARBON R |      |
|   | R465 | QRD161J-222   | 2. 2K 1/6W CARBON R |      |
|   | R466 | QRD161J-222   | 2. 2K 1/6W CARBON R |      |
|   | R467 | QRD161J-222   | 2. 2K 1/6W CARBON R |      |
|   | R468 | QRD161J-222   | 2. 2K 1/6W CARBON R |      |
|   | R471 | QRD161J-104   | 100K 1/6W CARBON R  |      |

## ■ Electrical Parts List (ENG-127)

| △ | Item  | Parts Number   | Description        | Area |
|---|-------|----------------|--------------------|------|
|   | R472  | QRD161J-104    | 100K 1/6W CARBON R |      |
|   | R473  | QRD161J-472    | 4.7K 1/6W CARBON R |      |
|   | R474  | QRD161J-474    | 470K 1/6W CARBON R |      |
| △ | R475  | QRD14CJ-680SX  | 68 1/4W UNF. CARB  |      |
| △ | R476  | QRD14CJ-680SX  | 68 1/4W UNF. CARB  |      |
|   | R477  | QRD167J-152    | 1.5K 1/6W CARBON R |      |
|   | R478  | QRD167J-272    | 2.7K 1/6W CARBON R |      |
|   | R479  | QRD161J-102    | 1K 1/6W CARBON R   |      |
|   | R480  | QRD167J-822    | 8.2K 1/6W CARBON R |      |
|   | R481  | QRD167J-153    | 15K 1/6W CARBON R  |      |
|   | R482  | QRD167J-154    | 150K 1/6W CARBON R |      |
|   | R483  | QRD167J-154    | 150K 1/6W CARBON R |      |
|   | R484  | QRD167J-154    | 150K 1/6W CARBON R |      |
| △ | R485  | QRD14CJ-220S   | 22 1/4W UNF. CARB  |      |
|   | R486  | QRD167J-223    | 22K 1/6W CARBON R  |      |
|   | R487  | QRD167J-223    | 22K 1/6W CARBON R  |      |
|   | R488  | QRD161J-103    | 10K 1/6W CARBON R  |      |
|   | R489  | QRD167J-223    | 22K 1/6W CARBON R  |      |
|   | R490  | QRD167J-152    | 1.5K 1/6W CARBON R |      |
|   | R491  | QRD161J-103    | 10K 1/6W CARBON R  |      |
|   | R492  | QRD167J-332    | 3.3K 1/6W CARBON R |      |
|   | R493  | QRD167J-682    | 6.8K 1/6W CARBON R |      |
|   | R494  | QRD161J-273    | 27K 1/6W CARBON R  |      |
|   | R495  | QRD161J-392    | 3.9K 1/6W CARBON R |      |
|   | R498  | QRD161J-221    | 220 1/6W CARBON R  |      |
|   | R499  | QRD161J-221    | 220 1/6W CARBON R  |      |
|   | R561  | QRD161J-472    | 4.7K 1/6W CARBON R |      |
|   | R562  | QRD161J-103    | 10K 1/6W CARBON R  |      |
|   | R563  | QRD167J-152    | 1.5K 1/6W CARBON R |      |
|   | R564  | QRD161J-472    | 4.7K 1/6W CARBON R |      |
|   | R567  | QRD161J-392    | 3.9K 1/6W CARBON R |      |
|   | R570  | QRD167J-332    | 3.3K 1/6W CARBON R |      |
|   | R571  | QRD161J-472    | 4.7K 1/6W CARBON R |      |
|   | R572  | QRD161J-242    | 2.4K 1/6W CARBON R |      |
|   | R573  | QRD167J-153    | 15K 1/6W CARBON R  |      |
|   | R574  | QRD161J-242    | 2.4K 1/6W CARBON R |      |
|   | R581  | QRD167J-562    | 5.6K 1/6W CARBON R |      |
| △ | R582  | QRZ0077-4R7    | 4.7 1/4W FUSE RES  |      |
|   | R583  | QRD161J-104    | 100K 1/6W CARBON R |      |
| △ | R587  | QRD14CJ-1R0SX  | 1 1/4W UNF. CARB   |      |
| △ | R588  | QRD14CJ-2R2SX  | 2.2 1/4W UNF. CARB |      |
|   | R589  | QRD161J-473    | 47K 1/6W CARBON R  |      |
|   | R590  | QRD161J-473    | 47K 1/6W CARBON R  |      |
|   | R591  | QRD161J-472    | 4.7K 1/6W CARBON R |      |
|   | R592  | QRD161J-472    | 4.7K 1/6W CARBON R |      |
|   | R600  | QRG01DJ-223X   | 22K 1W OXIDE ME    |      |
|   | R0001 | QRD167J-2R7    | 2.7 1/6W CARBON R  |      |
|   | VR301 | QVPA603-501A   | 500 TRIMMER        |      |
|   | VR302 | QVPA603-501A   | 500 TRIMMER        |      |
|   | VR303 | QVPA603-501A   | 500 TRIMMER        |      |
|   | VR304 | QVPA603-501A   | 500 TRIMMER        |      |
|   | VR305 | QVPA603-104A   | 100K TRIMMER       |      |
|   | VR306 | QVPA603-104A   | 100K TRIMMER       |      |
|   | VR307 | QVPA603-104A   | 100K TRIMMER       |      |
|   | VR308 | QVPA603-104A   | 100K TRIMMER       |      |
|   | VR309 | QVPA603-104A   | 100K TRIMMER       |      |
|   | VR310 | QVPA603-104A   | 100K TRIMMER       |      |
|   | VR311 | QVPA603-503A   | 50K VARIABLE       |      |
|   | VR312 | QVPA603-503A   | 50K VARIABLE       |      |
|   |       | OTHERS         |                    |      |
|   |       | EMW10554-005   | CIR BOARD          |      |
|   |       | E409238-001SM  | SHIELD PLATE       |      |
|   |       | QWE350-08RR    | VINYL WIRE         |      |
|   |       | QWE351-08RR    | VINYL WIRE         |      |
|   |       | QWE357-12RR    | VINYL WIRE         |      |
|   | J401  | EMN00TV-615AJ2 | PIN JACK           |      |
|   | K022  | ENZ8101-007    | INDUCTOR           |      |

| △ | Item  | Parts Number    | Description       | Area |
|---|-------|-----------------|-------------------|------|
|   | K023  | ENZ8101-007     | INDUCTOR          |      |
|   | K024  | ENZ8101-007     | INDUCTOR          |      |
|   | L301  | ENZ6002-012     | OSCILLATOR COIL   |      |
|   | L303  | EQL2106-562     | INDUCTOR          |      |
|   | L304  | EQL2106-562     | INDUCTOR          |      |
|   | L305  | EQL2106-223     | INDUCTOR          |      |
|   | L306  | EQL2106-223     | INDUCTOR          |      |
|   | L405  | EQL4007-220     | INDUCTOR          |      |
|   | T111  | EQR7121-004     | RF COIL           |      |
|   | T141  | EQT2140-021     | I. F. TRANSFORMER |      |
|   | T142  | ECB1560-010     | CERAMIC FILTER    |      |
|   | X081  | VGX5062-001Z    | CRYSTAL           |      |
|   | AT101 | EMB40YV-401KJ4  | ANTENNA TERMINAL  |      |
|   | CF101 | ECB2123-006R    | CERAMIC FILTER    |      |
|   | CF102 | ECB2123-006R    | CERAMIC FILTER    |      |
|   | CN301 | VMC0314-P08     | CONNECT TERMINAL  |      |
|   | CN302 | VMC0314-P08     | CONNECT TERMINAL  |      |
|   | CN331 | EMV7155-106R    | CONNECT TERMINAL  |      |
|   | CN332 | EMV7155-106R    | CONNECT TERMINAL  |      |
|   | CN401 | VMC0163-040     | CONNECT TERMINAL  |      |
|   | CN402 | VMC0075-003     | CONNECTOR         |      |
|   | CN502 | EMV7125-011R    | MALE CONNECTOR    |      |
|   | CN513 | EMV5167-116     | CONNECT TERMINAL  |      |
|   | CN514 | EMV5167-128     | CONNECT TERMINAL  |      |
|   | CN713 | EMV7145-003Z    | SOCKET ASSY       |      |
|   | EP101 | E409182-001SM   | EARTH TERMINAL    |      |
|   | EP102 | E409182-001SM   | EARTH TERMINAL    |      |
|   | FE101 | EAF2203-004     | FRONT END         |      |
|   | LC091 | EQF0601-222     | CERAMIC FILTER    |      |
|   | LP141 | EQF0101-013     | LOWPASS FILTER    |      |
|   | LP142 | EQF0101-013     | LOWPASS FILTER    |      |
|   | SP081 | VYH7653-003     | I. C. PROTECTOR   |      |
|   | SP102 | VYH7653-002     | I. C. SOCKET      |      |
|   | SP103 | VYH7653-002     | I. C. SOCKET      |      |
|   | SP121 | VYH7653-002     | I. C. SOCKET      |      |
|   | XT121 | ECX0007-200KWJ1 | CRYSTAL           |      |
|   | XT141 | ECXPR46-001A    | CRYSTAL           |      |
|   | XT161 | ECXP3R6-001ZA   | CRYSTAL           |      |

## ■ Electrical Parts List (ENB-219)

| △ | Item  | Parts Number  | Description           | Area |
|---|-------|---------------|-----------------------|------|
|   |       | I. C. S       |                       |      |
|   | IC601 | AN8806SB      | I. C (MONO-ANALOG)    |      |
|   | IC602 | BA6398FP      | I. C (MONO-ANALOG)    |      |
|   | IC603 | MN35510-S     | I. C (M)              |      |
|   | IC701 | MN172412K8R   | I. C (MICRO-COMPUTER) |      |
|   | IC702 | NJU3719L      | I. C (MONO-ANALOG)    |      |
|   | IC703 | SPS-420-1     | INFRARED DETECT UNIT  |      |
|   | IC751 | BA15218N      | I. C (MONO-ANALOG)    |      |
|   | IC752 | BA15218N      | I. C (MONO-ANALOG)    |      |
|   |       | DIODES        |                       |      |
|   | D701  | 1SS133        | SI. DIODE             |      |
|   | D702  | 1SS133        | SI. DIODE             |      |
|   | D703  | 1SS133        | SI. DIODE             |      |
|   | D704  | 1SS133        | SI. DIODE             |      |
|   | D705  | 1SS133        | SI. DIODE             |      |
|   | D707  | 1SS133        | SI. DIODE             |      |
|   | D709  | 1SS133        | SI. DIODE             |      |
|   | D711  | 1SS133        | SI. DIODE             |      |
|   | D715  | SPR-39MVWF    | L. E. D.              |      |
|   | D716  | SPR-39MVWF    | L. E. D.              |      |
|   | D717  | SPR-39MVWF    | L. E. D.              |      |
|   | D718  | 1SR35-100     | SI. DIODE             |      |
|   | D718  | 1SS133        | SI. DIODE             |      |
|   | D719  | 1SS133        | SI. DIODE             |      |
|   | D720  | 1SS133        | SI. DIODE             |      |
|   | D721  | 1SS133        | SI. DIODE             |      |
|   | D722  | 1SS133        | SI. DIODE             |      |
|   | D723  | 1SS133        | SI. DIODE             |      |
|   | D724  | 1SS133        | SI. DIODE             |      |
|   | D725  | 1SS133        | SI. DIODE             |      |
|   | D726  | SPR-39MVWF    | L. E. D.              |      |
|   | D727  | SPR-39MVWF    | L. E. D.              |      |
|   | D728  | SPR-39MVWF    | L. E. D.              |      |
|   | D729  | SPR-39MVWF    | L. E. D.              |      |
|   | D730  | SPR-39MVWF    | L. E. D.              |      |
|   | D731  | SPR-39MVWF    | L. E. D.              |      |
|   | D732  | SPR-39MVWF    | L. E. D.              |      |
|   | D733  | SPR-39MVWF    | L. E. D.              |      |
|   | D734  | SLR-342VC3F   | L. E. D.              |      |
|   | D735  | SLR-342MCA47  | L. E. D.              |      |
|   | D736  | SLR-342MCA47  | L. E. D.              |      |
|   | D737  | SLR-342MCA47  | L. E. D.              |      |
|   | D738  | SLR-342MCA47  | L. E. D.              |      |
|   | D739  | SLR-342MCA47  | L. E. D.              |      |
|   | D740  | SLR-342MCA47  | L. E. D.              |      |
|   | D741  | SLR-342MCA47  | L. E. D.              |      |
|   | D742  | SLR-342VC3F   | L. E. D.              |      |
|   | D743  | SLR-342VC3F   | L. E. D.              |      |
|   | D744  | SIR-56SB3F    | L. E. D.              |      |
|   | D745  | SLR-342MCA47  | L. E. D.              |      |
|   | D746  | SLR-342MCA47  | L. E. D.              |      |
|   | D791  | SLR-9118A-T1  | L. E. D.              |      |
|   |       | TRANSISTORS   |                       |      |
|   | Q601  | 2SA952 (L, K) | SI. TRANSISTOR        |      |
|   | Q631  | 2SA952 (L, K) | SI. TRANSISTOR        |      |
|   | Q701  | DTA144ES      | DIGITAL TRANSISTOR    |      |
|   | Q702  | DTA144ES      | DIGITAL TRANSISTOR    |      |
|   | Q703  | DTA144ES      | DIGITAL TRANSISTOR    |      |
|   | Q704  | DTC114ES      | DIGITAL TRANSISTOR    |      |
|   | Q705  | DTC114ES      | DIGITAL TRANSISTOR    |      |
|   | Q706  | DTA114TS      | DIGITAL TRANSISTOR    |      |
|   | Q707  | DTA114TS      | DIGITAL TRANSISTOR    |      |
|   | Q708  | DTA144ES      | DIGITAL TRANSISTOR    |      |
|   | Q709  | DTA144ES      | DIGITAL TRANSISTOR    |      |
|   | Q710  | DTA144ES      | DIGITAL TRANSISTOR    |      |
|   | Q711  | DTA144ES      | DIGITAL TRANSISTOR    |      |
|   | Q712  | DTA144ES      | DIGITAL TRANSISTOR    |      |
|   | Q713  | DTA144ES      | DIGITAL TRANSISTOR    |      |
|   | Q714  | DTA123ES      | DIODE                 |      |

| △ | Item | Parts Number  | Description            | Area |
|---|------|---------------|------------------------|------|
|   | Q715 | DTA123ES      | DIODE                  |      |
|   | Q716 | DTC114ES      | DIGITAL TRANSISTOR     |      |
|   | Q791 | SPS-1118C-T1  | PHOTO TRANSISTOR       |      |
|   |      | CAPACITORS    |                        |      |
|   | C602 | QCZ0205-155   | 1.5MF 25V C. CAP.      |      |
|   | C604 | QETB1AM-107   | 100MF 10V AL E. CAP.   |      |
|   | C605 | QETB1EM-106   | 10MF 25V AL E. CAP.    |      |
|   | C606 | QCBB1HK-102Y  | 1000PF 50V CER. CAP.   |      |
|   | C607 | QCBB1HK-102Y  | 1000PF 50V CER. CAP.   |      |
|   | C608 | QETB1HM-105   | 1MF 50V AL E. CAP.     |      |
|   | C609 | QCBB1HK-101Y  | 100PF 50V CER. CAP.    |      |
|   | C610 | QFLB1HJ-273   | 0.027MF 50V MYLAR CAP. |      |
|   | C611 | QCXB1CM-472Y  | 4700PF 16V CER. CAP.   |      |
|   | C612 | QCVB1CM-103Y  | 0.01MF 16V CER. CAP.   |      |
|   | C613 | QCBB1HK-331Y  | 330PF 50V CER. CAP.    |      |
|   | C614 | QFLB1HJ-104   | 0.1MF 50V MYLAR CAP.   |      |
|   | C615 | QCHB1EZ-223   | 0.022MF 25V CER. CAP.  |      |
|   | C616 | QCHB1EZ-223   | 0.022MF 25V CER. CAP.  |      |
|   | C617 | QCHB1EZ-223   | 0.022MF 25V CER. CAP.  |      |
|   | C618 | QCXB1CM-222Y  | 2200PF 16V CER. CAP.   |      |
|   | C619 | QCBB1HK-271Y  | 270PF 50V CER. CAP.    |      |
|   | C620 | QCSB1HJ-470   | 47PF 50V CER. CAP.     |      |
|   | C621 | QCBB1HK-821Y  | 820PF 50V CER. CAP.    |      |
|   | C622 | QETB1AM-476   | 47MF 10V E. CAP.       |      |
|   | C623 | QFLB1HJ-273   | 0.027MF 50V MYLAR CAP. |      |
|   | C625 | QCZ0205-155   | 1.5MF 25V C. CAP.      |      |
|   | C631 | QETB1AM-477   | 470MF 10V E. CAP.      |      |
|   | C632 | QETB1AM-107   | 100MF 10V AL E. CAP.   |      |
|   | C651 | QCSB1HJ-120Y  | 12PF 50V CER. CAP.     |      |
|   | C652 | QCSB1HJ-120Y  | 12PF 50V CER. CAP.     |      |
|   | C653 | QCHB1EZ-223   | 0.022MF 25V CER. CAP.  |      |
|   | C654 | QCSB1HJ-5R6YM | 5.6PF 50V CER. CAP.    |      |
|   | C655 | QCC21EM-473   | 0.047MF 25V CER. CAP.  |      |
|   | C661 | QCBB1HK-471Y  | 470PF 50V CER. CAP.    |      |
|   | C662 | QCC21EM-473   | 0.047MF 25V CER. CAP.  |      |
|   | C663 | QFLB1HJ-223   | 0.022MF 50V MYLAR CAP. |      |
|   | C664 | QCHB1EZ-223   | 0.022MF 25V CER. CAP.  |      |
|   | C665 | QFV81HJ-334   | 0.33MF 50V TF. CAP.    |      |
|   | C671 | QCXB1CM-222Y  | 2200PF 16V CER. CAP.   |      |
|   | C672 | QCXB1CM-222Y  | 2200PF 16V CER. CAP.   |      |
|   | C673 | QEK61AM-227ZM | 220MF 10V AL E. CAP.   |      |
|   | C674 | QCHB1EZ-223   | 0.022MF 25V CER. CAP.  |      |
|   | C676 | QCBB1HK-102Y  | 1000PF 50V CER. CAP.   |      |
|   | C681 | QCXB1CM-222Y  | 2200PF 16V CER. CAP.   |      |
|   | C682 | QCSB1HJ-470   | 47PF 50V CER. CAP.     |      |
|   | C699 | QCC21EM-473   | 0.047MF 25V CER. CAP.  |      |
|   | C701 | QCVB1CM-103Y  | 0.01MF 16V CER. CAP.   |      |
|   | C702 | QCT26CH-330   | 33PF 50V CER. CAP.     |      |
|   | C703 | QCVB1CM-103Y  | 0.01MF 16V CER. CAP.   |      |
|   | C704 | QER50JM-107   | 100MF 6.3V AL E. CAP.  |      |
|   | C706 | QCHB1EZ-223   | 0.022MF 25V CER. CAP.  |      |
|   | C707 | QER61HM-226   | 22MF 50V AL E. CAP.    |      |
|   | C711 | QCHB1EZ-223   | 0.022MF 25V CER. CAP.  |      |
|   | C712 | QER50JM-107   | 100MF 6.3V AL E. CAP.  |      |
|   | C715 | QETB0JM-108N  | 1000MF 6.3V E. CAP.    |      |
|   | C716 | QEZO227-10AZ  | E. CAP.                |      |
|   | C718 | QCBB1HK-102Y  | 1000PF 50V CER. CAP.   |      |
|   | C719 | QCVB1CM-103Y  | 0.01MF 16V CER. CAP.   |      |
|   | C736 | QCBB1HK-221Y  | 220PF 50V CER. CAP.    |      |
|   | C737 | QCBB1HK-221Y  | 220PF 50V CER. CAP.    |      |
|   | C738 | QCBB1HK-221Y  | 220PF 50V CER. CAP.    |      |
|   | C739 | QCBB1HK-221Y  | 220PF 50V CER. CAP.    |      |
|   | C751 | QETB1EM-106   | 10MF 25V AL E. CAP.    |      |
|   | C752 | QCBB1HK-102Y  | 1000PF 50V CER. CAP.   |      |
|   | C753 | QCBB1HK-101Y  | 100PF 50V CER. CAP.    |      |
|   | C754 | QCBB1HK-101Y  | 100PF 50V CER. CAP.    |      |
|   | C755 | QETB1EM-106   | 10MF 25V AL E. CAP.    |      |
|   | C756 | QCBB1HK-102Y  | 1000PF 50V CER. CAP.   |      |
|   | C757 | QETB1EM-106   | 10MF 25V AL E. CAP.    |      |

## ■ Electrical Parts List (ENB-219)

| △ | Item  | Parts Number | Description             | Area |
|---|-------|--------------|-------------------------|------|
|   | C758  | QCBB1HK-101Y | 100PF 50V CER. CAP.     |      |
|   | C761  | QCBB1HK-102Y | 1000PF 50V CER. CAP.    |      |
|   | C762  | QETB1EM-106  | 10MF 25V AL. E. CAP.    |      |
|   | C763  | QCBB1HK-101Y | 100PF 50V CER. CAP.     |      |
|   | C764  | QETB1EM-106  | 10MF 25V AL. E. CAP.    |      |
|   | C765  | QETB1EM-106  | 10MF 25V AL. E. CAP.    |      |
|   | C767  | QCBB1HK-102  | 1000PF 50V CER. CAP.    |      |
|   | C768  | QCBB1HK-101Y | 100PF 50V CER. CAP.     |      |
|   | C769  | QCBB1HK-181Y | 180PF 50V CER. CAP.     |      |
|   | C770  | QETB1EM-476  | 47MF 25V AL. E. CAP.    |      |
|   | C773  | QETB1EM-106  | 10MF 25V AL. E. CAP.    |      |
|   | C774  | QETB1EM-106  | 10MF 25V AL. E. CAP.    |      |
|   | C775  | QCFB1HZ-104Y | 0.1MF 50V CER. CAP.     |      |
|   | C776  | QCHB1EZ-223  | 0.022MF 25V CER. CAP.   |      |
|   | C777  | QCBB1HK-681Y | 680PF 50V CER. CAP.     |      |
|   | C778  | QCFB1HZ-104Y | 0.1MF 50V CER. CAP.     |      |
|   | C781  | QCBB1HK-101Y | 100PF 50V CER. CAP.     |      |
|   | C785  | QCBB1HK-561Y | 560PF 50V CER. CAP.     |      |
|   | C786  | QFV81HJ-224  | 0.22MF 50V THIN FILM CA |      |
|   | C787  | QCZO205-155  | 1.5MF 25V C. CAP.       |      |
|   | C791  | QCBB1HK-561Y | 560PF 50V CER. CAP.     |      |
|   | C793  | QFV81HJ-104  | 0.1MF 50V THIN FILM CA  |      |
|   | TC701 | ENZ1003-015  | 0.1MF TRIMMER CAPA      |      |
|   |       | RESISTORS    |                         |      |
|   | R601  | QRD161J-622  | 6.2K 1/6W CARBON RES.   |      |
|   | R602  | QRD167J-562  | 5.6K 1/6W CARBON RES.   |      |
|   | R603  | QRD161J-125  | 1.2M 1/6W CARBON RES.   |      |
|   | R605  | QRD167J-134  | 130K 1/6W CARBON RES.   |      |
|   | R606  | QRD161J-913  | 91K 1/6W CARBON RES.    |      |
|   | R607  | QRD161J-273  | 27K 1/6W CARBON RES.    |      |
|   | R609  | QRD161J-114  | 110K 1/6W CARBON RES.   |      |
|   | R610  | QRD167J-154  | 150K 1/6W CARBON RES.   |      |
|   | R612  | QRD161J-103  | 10K 1/6W CARBON RES.    |      |
|   | R613  | QRD167J-121  | 120 1/6W CARBON RES.    |      |
|   | R614  | QRD161J-100  | 10 1/6W CARBON RES.     |      |
|   | R615  | QRD161J-120  | 12 1/6W CARBON RES.     |      |
|   | R616  | QRD161J-910Y | 91 1/6W CARBON RES.     |      |
|   | R631  | QRD161J-331  | 330 1/6W CARBON RES.    |      |
|   | R632  | QRD161J-101  | 100 1/6W CARBON RES.    |      |
|   | R641  | QRD161J-563  | 56K 1/6W CARBON RES.    |      |
|   | R642  | QRD161J-123  | 12K 1/6W CARBON RES.    |      |
|   | R643  | QRD167J-822  | 8.2K 1/6W CARBON RES.   |      |
|   | R644  | QRD167J-223  | 22K 1/6W CARBON RES.    |      |
|   | R645  | QRD167J-223  | 22K 1/6W CARBON RES.    |      |
|   | R646  | QRD161J-182  | 1.8K 1/6W CARBON RES.   |      |
|   | R647  | QRD167J-562  | 5.6K 1/6W CARBON RES.   |      |
|   | R651  | QRD161J-102  | 1K 1/6W CARBON RES.     |      |
|   | R652  | QRD161J-102  | 1K 1/6W CARBON RES.     |      |
|   | R653  | QRD161J-102  | 1K 1/6W CARBON RES.     |      |
|   | R654  | QRD161J-102  | 1K 1/6W CARBON RES.     |      |
|   | R655  | QRD161J-220  | 22 1/6W CARBON RES.     |      |
|   | R661  | QRD161J-104  | 100K 1/6W CARBON RES.   |      |
|   | R663  | QRD161J-124  | 120K 1/6W CARBON RES.   |      |
|   | R664  | QRD161J-681  | 680 1/6W CARBON RES.    |      |
|   | R666  | QRD161J-220  | 22 1/6W CARBON RES.     |      |
|   | R671  | QRD161J-102  | 1K 1/6W CARBON RES.     |      |
|   | R672  | QRD161J-102  | 1K 1/6W CARBON RES.     |      |
|   | R681  | QRD161J-101  | 100 1/6W CARBON RES.    |      |
|   | R691  | QRD161J-102  | 1K 1/6W CARBON RES.     |      |
|   | R692  | QRD161J-271  | 270 1/6W CARBON RES.    |      |
|   | R693  | QRD161J-101  | 100 1/6W CARBON RES.    |      |
|   | R694  | QRD161J-101  | 100 1/6W CARBON RES.    |      |
|   | R696  | QRD161J-101  | 100 1/6W CARBON RES.    |      |
|   | R697  | QRD161J-101  | 100 1/6W CARBON RES.    |      |
|   | R698  | QRD161J-102  | 1K 1/6W CARBON RES.     |      |
|   | R699  | QRD161J-102  | 1K 1/6W CARBON RES.     |      |
|   | R701  | QRD161J-221  | 220 1/6W CARBON RES.    |      |
|   | R702  | QRD161J-221  | 220 1/6W CARBON RES.    |      |
|   | R703  | QRD161J-221  | 220 1/6W CARBON RES.    |      |

| △ | Item  | Parts Number | Description             | Area |
|---|-------|--------------|-------------------------|------|
|   | R704  | QRD161J-221  | 220 1/6W CARBON RES.    |      |
|   | R705  | QRD161J-221  | 220 1/6W CARBON RES.    |      |
|   | R706  | QRD161J-221  | 220 1/6W CARBON RES.    |      |
|   | R707  | QRD161J-104  | 100K 1/6W CARBON RES.   |      |
|   | R708  | QRD161J-470  | 47 1/6W CARBON RES.     |      |
|   | R709  | QRD161J-103  | 10K 1/6W CARBON RES.    |      |
|   | R710  | QRD161J-103  | 10K 1/6W CARBON RES.    |      |
|   | R713  | QRD161J-103  | 10K 1/6W CARBON RES.    |      |
|   | R714  | QRD167J-111  | 110 1/6W CARBON RES.    |      |
|   | R715  | QRD161J-221  | 220 1/6W CARBON RES.    |      |
|   | R716  | QRD167J-111  | 110 1/6W CARBON RES.    |      |
|   | R717  | QRD161J-221  | 220 1/6W CARBON RES.    |      |
|   | R718  | QRD167J-111  | 110 1/6W CARBON RES.    |      |
|   | R719  | QRD161J-221  | 220 1/6W CARBON RES.    |      |
|   | R720  | QRD167J-111  | 110 1/6W CARBON RES.    |      |
|   | R721  | QRD161J-221  | 220 1/6W CARBON RES.    |      |
|   | R722  | QRD167J-151  | 150 1/6W CARBON RES.    |      |
|   | R723  | QRD167J-151  | 150 1/6W CARBON RES.    |      |
|   | R724  | QRD167J-121  | 120 1/6W CARBON RES.    |      |
|   | R725  | QRD161J-221  | 220 1/6W CARBON RES.    |      |
|   | R726  | QRD161J-221  | 220 1/6W CARBON RES.    |      |
|   | R727  | QRD161J-221  | 220 1/6W CARBON RES.    |      |
|   | R729  | QRD161J-271  | 270 1/6W CARBON RES.    |      |
|   | R730  | QRD161J-271  | 270 1/6W CARBON RES.    |      |
|   | R731  | QRD167J-121  | 120 1/6W CARBON RES.    |      |
|   | R732  | QRD161J-473  | 47K 1/6W CARBON RES.    |      |
|   | R733  | QRD161J-473  | 47K 1/6W CARBON RES.    |      |
|   | R734  | QRD161J-473  | 47K 1/6W CARBON RES.    |      |
|   | R736  | QRD161J-104  | 100K 1/6W CARBON RES.   |      |
|   | R737  | QRD161J-104  | 100K 1/6W CARBON RES.   |      |
|   | R738  | QRD161J-104  | 100K 1/6W CARBON RES.   |      |
|   | R745  | QRD161J-221  | 220 1/6W CARBON RES.    |      |
|   | R746  | QRD161J-221  | 220 1/6W CARBON RES.    |      |
|   | R751  | QRD161J-102  | 1K 1/6W CARBON RES.     |      |
|   | R752  | QRD161J-103  | 10K 1/6W CARBON RES.    |      |
|   | R753  | QRD161J-561  | 560 1/6W CARBON RES.    |      |
|   | R754  | QRD161J-473  | 47K 1/6W CARBON RES.    |      |
|   | R755  | QRD161J-101  | 100 1/6W CARBON RES.    |      |
|   | R756  | QRD161J-103  | 10K 1/6W CARBON RES.    |      |
|   | R759  | QRD161J-102  | 1K 1/6W CARBON RES.     |      |
|   | R761  | QRD161J-103  | 10K 1/6W CARBON RES.    |      |
|   | R762  | QRD161J-102  | 1K 1/6W CARBON RES.     |      |
|   | R767  | QRD161J-103  | 10K 1/6W CARBON RES.    |      |
|   | R768  | QRD161J-102  | 1K 1/6W CARBON RES.     |      |
|   | R769  | QRD161J-103  | 10K 1/6W CARBON RES.    |      |
|   | R771  | QRD161J-104  | 100K 1/6W CARBON RES.   |      |
|   | R775  | QRD161J-222  | 2.2K 1/6W CARBON RES.   |      |
|   | R776  | QRD161J-101  | 100 1/6W CARBON RES.    |      |
|   | R777  | QRD161J-473  | 47K 1/6W CARBON RES.    |      |
|   | R778  | QRD161J-561  | 560 1/6W CARBON RES.    |      |
|   | R791  | QRD161J-122  | 1.2K 1/6W CARBON RES.   |      |
|   | R801  | QRD161J-102  | 1K 1/6W CARBON RES.     |      |
|   | R802  | QRD161J-102  | 1K 1/6W CARBON RES.     |      |
|   | R803  | QRD161J-102  | 1K 1/6W CARBON RES.     |      |
|   | R804  | QRD161J-102  | 1K 1/6W CARBON RES.     |      |
|   | R805  | QRD161J-102  | 1K 1/6W CARBON RES.     |      |
|   | R806  | QRD161J-102  | 1K 1/6W CARBON RES.     |      |
|   | R807  | QRD161J-102  | 1K 1/6W CARBON RES.     |      |
|   | R808  | QRD161J-222  | 2.2K 1/6W CARBON RES.   |      |
|   | R809  | QRD161J-222  | 2.2K 1/6W CARBON RES.   |      |
|   | R810  | QRD167J-121  | 120 1/6W CARBON RES.    |      |
|   | RA701 | QRB129J-104  | 100K 1/10W NETWORK RES. |      |
|   | RA702 | QRB129J-104  | 100K 1/10W NETWORK RES. |      |
|   | RA703 | QRB129J-104  | 100K 1/10W NETWORK RES. |      |
|   | RA704 | QRB129J-104  | 100K 1/10W NETWORK RES. |      |
|   | VR751 | QVAA72B-E54B | 50K VARIABLE RE         |      |
|   |       | OTHERS       |                         |      |
|   |       | EMW10555-006 | CIRCUIT BOARD           |      |
|   | J751  | QMS3R81-EEOS | HEADPHONE JACK          |      |

## ■ Electrical Parts List (ENB-219)

| △ | Item  | Parts Number   | Description              | Area |
|---|-------|----------------|--------------------------|------|
|   | J752  | QMS3R81-EE0S   | HEADPHONE JACK           |      |
|   | J761  | VMJ4024-001    | HEADPHONE JACK           |      |
|   | K001  | ENZ8101-007    | INDUCTOR                 |      |
|   | K002  | ENZ8101-007    | INDUCTOR                 |      |
|   | P699  | TOTX178        | OPTICAL JACK             |      |
|   | S701  | ESP0001-023M   | TACT SWITCH              |      |
|   | S702  | ESP0001-023M   | TACT SWITCH              |      |
|   | S703  | ESP0001-023M   | TACT SWITCH              |      |
|   | S704  | ESP0001-023M   | TACT SWITCH              |      |
|   | S705  | ESP0001-023M   | TACT SWITCH              |      |
|   | S706  | ESP0001-023M   | TACT SWITCH              |      |
|   | S707  | ESP0001-023M   | TACT SWITCH              |      |
|   | S708  | ESP0001-023M   | TACT SWITCH              |      |
|   | S709  | ESP0001-023M   | TACT SWITCH              |      |
|   | S710  | ESP0001-023M   | TACT SWITCH              |      |
|   | S711  | ESP0001-023M   | TACT SWITCH              |      |
|   | S712  | ESP0001-023M   | TACT SWITCH              |      |
|   | S713  | ESP0001-023M   | TACT SWITCH              |      |
|   | S714  | ESP0001-023M   | TACT SWITCH              |      |
|   | S715  | ESP0001-023M   | TACT SWITCH              |      |
|   | S716  | ESP0001-023M   | TACT SWITCH              |      |
|   | S717  | ESP0001-023M   | TACT SWITCH              |      |
|   | S718  | ESP0001-023M   | TACT SWITCH              |      |
|   | S719  | ESP0001-023M   | TACT SWITCH              |      |
|   | S720  | ESP0001-023M   | TACT SWITCH              |      |
|   | S721  | ESP0001-023M   | TACT SWITCH              |      |
|   | S722  | ESP0001-023M   | TACT SWITCH              |      |
|   | S723  | ESP0001-023M   | TACT SWITCH              |      |
|   | S724  | ESP0001-023M   | TACT SWITCH              |      |
|   | S725  | ESP0001-023M   | TACT SWITCH              |      |
|   | S726  | ESP0001-023M   | TACT SWITCH              |      |
|   | S727  | ESP0001-023M   | TACT SWITCH              |      |
|   | S728  | ESP0001-023M   | TACT SWITCH              |      |
|   | S729  | ESP0001-023M   | TACT SWITCH              |      |
|   | S730  | ESP0001-023M   | TACT SWITCH              |      |
|   | X651  | ECX0169-344EF  | CRYSTAL                  |      |
|   | X701  | ECX0006-000KNJ | CRYSTAL                  |      |
|   | BC112 | EWS26C-A910    | SOCKET WIRE ASSY         |      |
|   | BC113 | EWS26D-A910    | SOCKET WIRE ASSY         |      |
|   | BK701 | E309500-001SM  | FL HOLDER                |      |
|   | CN411 | VMC0163-R40    | CONNECT TERMINAL         |      |
|   | CN515 | VMC0163-R15    | CONNECT TERMINAL         |      |
|   | CN601 | EMV7144-015R   | CONNECT TERMINAL         |      |
|   | CN602 | EMV5109-006A   | CONNECT TERMINAL         |      |
|   | CN603 | VMC0163-R07    | CONNECT TERMINAL         |      |
|   | CN604 | VMC0163-R11    | CONNECT TERMINAL         |      |
|   | CN605 | EWS263-A910    | SOCKET WIRE ASSY         |      |
|   | CN606 | EMV7144-015R   | CONNECT TERMINAL         |      |
|   | CN615 | VMC0075-003    | CONNECTOR                |      |
|   | CN701 | VMC0314-P06    | CONNECT TERMINAL         |      |
|   | CN711 | VMC0314-S06    | CONNECT TERMINAL         |      |
|   | D1701 | ELU0001-206    | FLUORESCENT DISPLAY TUBE |      |
|   | FS701 | E3400-439      | FELT SPACER              |      |
|   | FS702 | E3400-439      | FELT SPACER              |      |
|   | FW701 | VWSC10-133K3K  | FLAT WIRE ASSY           |      |
|   | FW702 | VWSC10-133K3K  | FLAT WIRE ASSY           |      |
|   | FW703 | VWSC10-133K3K  | FLAT WIRE ASSY           |      |
|   | FW704 | ENR33D-20SS    | FLAT WIRE ASSY           |      |
|   | FW712 | VWSC02-203K3K  | FLAT WIRE ASSY           |      |
|   | FW713 | ENR33D-08LS    | CORD                     |      |
|   | FW751 | ENR39D-10LS    | FLAT WIRE ASSY           |      |
|   | JS701 | QSJ4002-E04J5  | ROTARY SWITCH            |      |
|   | SP601 | VYH7237-001    | I. C. COVER              |      |
|   | SP602 | VYH7237-003    | I. C. COVER              |      |
|   | SP603 | VYH7237-003    | I. C. COVER              |      |
|   | SP701 | VYH7653-001    | SPRING                   |      |
|   | TP601 | QMV5004-002K   | PLUG ASSY                |      |
|   | TW601 | EW102-047      | TERMINAL WIRE            |      |
|   | TW701 | EW1035-001     | TERMINAL WIRE            |      |

## ■ Electrical Parts List (C3 Mecha.)

| △ | Item  | Parts Number   | Description           | Area |
|---|-------|----------------|-----------------------|------|
|   |       | I. C. S        |                       |      |
|   | IC802 | TAB8409S       | I. C (MONO-ANALOG)    |      |
|   | IC803 | TAB8409S       | I. C (MONO-ANALOG)    |      |
|   |       | CAPACITORS     |                       |      |
|   | C801  | QEK51AM-107    | 100MF 10V AL E. CAP.  |      |
|   | C802  | QEK51EM-475    | 4.7MF 25V AL E. CAP.  |      |
|   | C803  | QFLB1HJ-102    | 1000PF 50V NYLAR CAP. |      |
|   | C804  | QCFB1HZ-104Y   | 0.1MF 50V CER. CAP.   |      |
|   | C805  | QCVB1CM-103Y   | 0.01MF 16V CER. CAP.  |      |
|   | C806  | QEK51CM-476    | 47MF 16V AL E. CAP.   |      |
|   | C807  | QEK51CM-476    | 47MF 16V AL E. CAP.   |      |
|   | C808  | QFLB1HJ-102    | 1000PF 50V NYLAR CAP. |      |
|   | C810  | QCZ0205-155    | 1.5MF 25V C. CAP.     |      |
|   | C811  | QCZ0205-155    | 1.5MF 25V C. CAP.     |      |
|   | C813  | QCVB1CM-103Y   | 0.01MF 16V CER. CAP.  |      |
|   | C821  | QCBB1HK-102Y   | 1000PF 50V CER. CAP.  |      |
|   |       | RESISTORS      |                       |      |
|   | R805  | QRD161J-102    | 1K 1/6W CARBON RES.   |      |
|   | R806  | QRD161J-471    | 470 1/6W CARBON RES.  |      |
|   | R807  | QRD161J-471    | 470 1/6W CARBON RES.  |      |
|   | R808  | QRD161J-102    | 1K 1/6W CARBON RES.   |      |
|   | R810  | QRD161J-684    | 680K 1/6W CARBON RES. |      |
|   | R811  | QRD161J-105    | 1M 1/6W CARBON RES.   |      |
|   | R813  | QRD161J-102    | 1K 1/6W CARBON RES.   |      |
|   | R814  | QRD161J-102    | 1K 1/6W CARBON RES.   |      |
|   | R815  | QRD161J-102    | 1K 1/6W CARBON RES.   |      |
|   | R816  | QRD161J-102    | 1K 1/6W CARBON RES.   |      |
|   | R817  | QRD161J-102    | 1K 1/6W CARBON RES.   |      |
|   | R818  | QRD161J-102    | 1K 1/6W CARBON RES.   |      |
|   | R819  | QRD161J-102    | 1K 1/6W CARBON RES.   |      |
|   | R820  | QRD161J-102    | 1K 1/6W CARBON RES.   |      |
|   | R821  | QRD161J-102    | 1K 1/6W CARBON RES.   |      |
|   | R822  | QRD161J-102    | 1K 1/6W CARBON RES.   |      |
|   | R823  | QRD161J-102    | 1K 1/6W CARBON RES.   |      |
|   | R824  | QRD161J-102    | 1K 1/6W CARBON RES.   |      |
|   | R825  | QRD161J-102    | 1K 1/6W CARBON RES.   |      |
|   | R826  | QRD161J-102    | 1K 1/6W CARBON RES.   |      |
|   | R827  | QRD161J-102    | 1K 1/6W CARBON RES.   |      |
|   | R828  | QRD161J-102    | 1K 1/6W CARBON RES.   |      |
|   | R829  | QRD161J-102    | 1K 1/6W CARBON RES.   |      |
|   | R830  | QRD161J-102    | 1K 1/6W CARBON RES.   |      |
|   | R832  | QRD161J-181    | 180 1/6W CARBON RES.  |      |
|   | R833  | QRD161J-102    | 1K 1/6W CARBON RES.   |      |
|   | R834  | QRD161J-102    | 1K 1/6W CARBON RES.   |      |
|   | R839  | QRD167J-332    | 3.3K 1/6W CARBON RES. |      |
|   | R840  | QRD167J-562    | 5.6K 1/6W CARBON RES. |      |
|   |       | OTHERS         |                       |      |
|   |       | UPD65612GB-208 | I. C (M)              |      |
|   |       | VMW1377-004XMM | PW BOARD              |      |
|   |       | VYH7237-001MM  | IC HOLDER             |      |
|   | L801  | VQP0018-100    | INDUCTOR              |      |
|   | L802  | VQP0033-100Z   | INDUCTOR              |      |
|   | L803  | VQP0033-100Z   | INDUCTOR              |      |
|   | L804  | VQP0033-100Z   | INDUCTOR              |      |
|   | CN801 | VMC0163-R10    | CONNECT TERMINAL      |      |
|   | CN802 | VMC0289-P07    | CONNECT TERMINAL      |      |
|   | CN803 | VMC0324-12310  | CONNECT TERMINAL      |      |

## ■ Electrical Parts List (ENV-002)

| △ | Item  | Parts Number    | Description           | Area |
|---|-------|-----------------|-----------------------|------|
|   |       | I. C. S         |                       |      |
|   | IC101 | CL480-C4        | I. C.                 |      |
|   | IC102 | JCE0002-X       | I. C.                 |      |
|   | IC103 | HMS14260CJ-7X   | I. C (D-RAM)          |      |
|   | IC103 | UPD424260LE-70X | I. C (D-RAM)          |      |
|   | IC104 | BU1418K         | I. C (DIGI-MOS)       |      |
|   | IC105 | BU2173F-X       | I. C (DIGI-MOS)       |      |
|   | IC106 | UPD6461GS-635X  | I. C.                 |      |
|   | IC107 | PQ20VZ11X       | I. C (M)              |      |
|   | IC108 | TC7SH04FU       | I. C (DIGI-MOS)       |      |
|   | IC111 | MN171601JJW1    | I. C (MICRO-COMPUTER) |      |
|   | IC112 | TC55257DFLL85EX | I. C (S-RAM)          |      |
|   | IC113 | HD74HCT244FPW   | I. C (DIGI-MOS)       |      |
|   | IC114 | HD74HCT245FPW   | I. C (DIGI-MOS)       |      |
|   |       | DIODES          |                       |      |
|   | D141  | DTZ4.7(B)-X     | ZENER DIODE           |      |
|   |       | CAPACITORS      |                       |      |
|   | C101  | NCF31EZ-104AY   | 0.1MF 25V CER. CAP.   |      |
|   | C102  | NCF31EZ-104AY   | 0.1MF 25V CER. CAP.   |      |
|   | C103  | NCF31EZ-104AY   | 0.1MF 25V CER. CAP.   |      |
|   | C105  | NCF31EZ-104AY   | 0.1MF 25V CER. CAP.   |      |
|   | C106  | NCF31EZ-104AY   | 0.1MF 25V CER. CAP.   |      |
|   | C107  | NCF31EZ-104AY   | 0.1MF 25V CER. CAP.   |      |
|   | C110  | NCF31EZ-104AY   | 0.1MF 25V CER. CAP.   |      |
|   | C111  | NCF31EZ-104AY   | 0.1MF 25V CER. CAP.   |      |
|   | C112  | NCF31EZ-104AY   | 0.1MF 25V CER. CAP.   |      |
|   | C113  | NCF31EZ-104AY   | 0.1MF 25V CER. CAP.   |      |
|   | C115  | NCF31EZ-104AY   | 0.1MF 25V CER. CAP.   |      |
|   | C116  | NCF31EZ-104AY   | 0.1MF 25V CER. CAP.   |      |
|   | C122  | NCS31HJ-150AY   | 15PF 50V CER. CAP.    |      |
|   | C123  | NCF31EZ-104AY   | 0.1MF 25V CER. CAP.   |      |
|   | C124  | NCF31EZ-104AY   | 0.1MF 25V CER. CAP.   |      |
|   | C125  | NCF31EZ-104AY   | 0.1MF 25V CER. CAP.   |      |
|   | C126  | NEA20JM-226NZ   | 22MF 6.3V AL. E. CAP. |      |
|   | C127  | NCF31EZ-104AY   | 0.1MF 25V CER. CAP.   |      |
|   | C131  | NCF31EZ-104AY   | 0.1MF 25V CER. CAP.   |      |
|   | C132  | NCF31EZ-104AY   | 0.1MF 25V CER. CAP.   |      |
|   | C133  | NCF31EZ-104AY   | 0.1MF 25V CER. CAP.   |      |
|   | C134  | NCF31EZ-104AY   | 0.1MF 25V CER. CAP.   |      |
|   | C141  | NCB31HK-472AY   | 4700PF 50V CER. CAP.  |      |
|   | C151  | NCF31EZ-104AY   | 0.1MF 25V CER. CAP.   |      |
|   | C152  | NEA20JM-226NZ   | 22MF 6.3V AL. E. CAP. |      |
|   | C153  | NCF31EZ-104AY   | 0.1MF 25V CER. CAP.   |      |
|   | C154  | NEA20JM-226NZ   | 22MF 6.3V AL. E. CAP. |      |
|   | C155  | NCF31EZ-104AY   | 0.1MF 25V CER. CAP.   |      |
|   | C156  | NEA20JM-226NZ   | 22MF 6.3V AL. E. CAP. |      |
|   | C157  | NEA20JM-226NZ   | 22MF 6.3V AL. E. CAP. |      |

| △ | Item  | Parts Number   | Description          | Area |
|---|-------|----------------|----------------------|------|
|   | C158  | NCF31EZ-104AY  | 0.1MF 25V CER. CAP.  |      |
|   | C161  | NCS31HJ-101AY  | 100PF 50V CER. CAP.  |      |
|   | C162  | NCS21HJ-681AY  | 680PF 50V CER. CAP.  |      |
|   | C163  | NCS31HJ-101AY  | 100PF 50V CER. CAP.  |      |
|   | C167  | NCS31HJ-471AY  | 470PF 50V CER. CAP.  |      |
|   | C168  | NCB31HK-152AY  | 1500PF 50V CER. CAP. |      |
|   | C170  | NCS31HJ-471AY  | 470PF 50V CER. CAP.  |      |
|   | C172  | NCS31HJ-471AY  | 470PF 50V CER. CAP.  |      |
|   | C181  | NCF31EZ-104AY  | 0.1MF 25V CER. CAP.  |      |
|   | TC101 | ENZ1003-017T   | 010MF TRIMMER CAPA   |      |
|   |       | RESISTORS      |                      |      |
|   | R102  | NRSA63J-473NY  | METAL GLAZE          |      |
|   | R103  | NRSA63J-103N   | METAL GLAZE          |      |
|   | R104  | NRSA63J-105NY  | METAL GLAZE          |      |
|   | R105  | NRSA63J-242NY  | METAL GLAZE          |      |
|   | R106  | NRSA63J-682NY  | METAL GLAZE          |      |
|   | R107  | NRSA63J-112NY  | METAL GLAZE          |      |
|   | R108  | NRSA63J-750NY  | METAL GLAZE          |      |
|   | R109  | NRSA63J-111NY  | METAL GLAZE          |      |
|   | R110  | NRSA63J-151NY  | METAL GLAZE          |      |
|   | R111  | NRSA63J-182NY  | METAL GLAZE          |      |
|   | R112  | NRSA63J-112NY  | METAL GLAZE          |      |
|   | R115  | NRSA63J-OROAY  | METAL GLAZE          |      |
|   | R121  | NRSA63J-102NY  | METAL GLAZE          |      |
|   | R122  | NRSA63J-102NY  | METAL GLAZE          |      |
|   | R123  | NRSA63J-102NY  | METAL GLAZE          |      |
|   | R124  | NRSA63J-102NY  | METAL GLAZE          |      |
|   | R125  | NRSA63J-102NY  | METAL GLAZE          |      |
|   | R132  | NRSA63J-OROAY  | METAL GLAZE          |      |
|   | R135  | NRSA63J-330NY  | METAL GLAZE          |      |
|   | R141  | NRSA63J-750NY  | METAL GLAZE          |      |
|   | R142  | NRSA63J-562NY  | METAL GLAZE          |      |
|   | R143  | NRSA63J-OROAY  | METAL GLAZE          |      |
|   | R144  | NRSA63J-OROAY  | METAL GLAZE          |      |
|   | R145  | NRSA63J-OROAY  | METAL GLAZE          |      |
|   | R146  | NRSA63J-OROAY  | METAL GLAZE          |      |
|   |       | OTHERS         |                      |      |
|   |       | EMW10553-002A  | PRINTED BOARD        |      |
|   | K101  | ENZ8102-N102AY | FERRITE BEADS        |      |
|   | K103  | ENZ8102-N102AY | FERRITE BEADS        |      |
|   | L101  | VQP1007-2R7Y   | INDUCTOR             |      |
|   | L102  | VQP1007-2R7Y   | INDUCTOR             |      |
|   | L103  | VQP1007-2R7Y   | INDUCTOR             |      |
|   | X101  | ECXA014-N01WJ3 | CRYSTAL              |      |
|   | CN101 | EMV7154-215E   | CONNECT TERMINAL     |      |
|   | CN102 | EMV5109-012BE  | CONNECT TERMINAL     |      |
|   | CN103 | EMV5109-013BE  | CONNECT TERMINAL     |      |

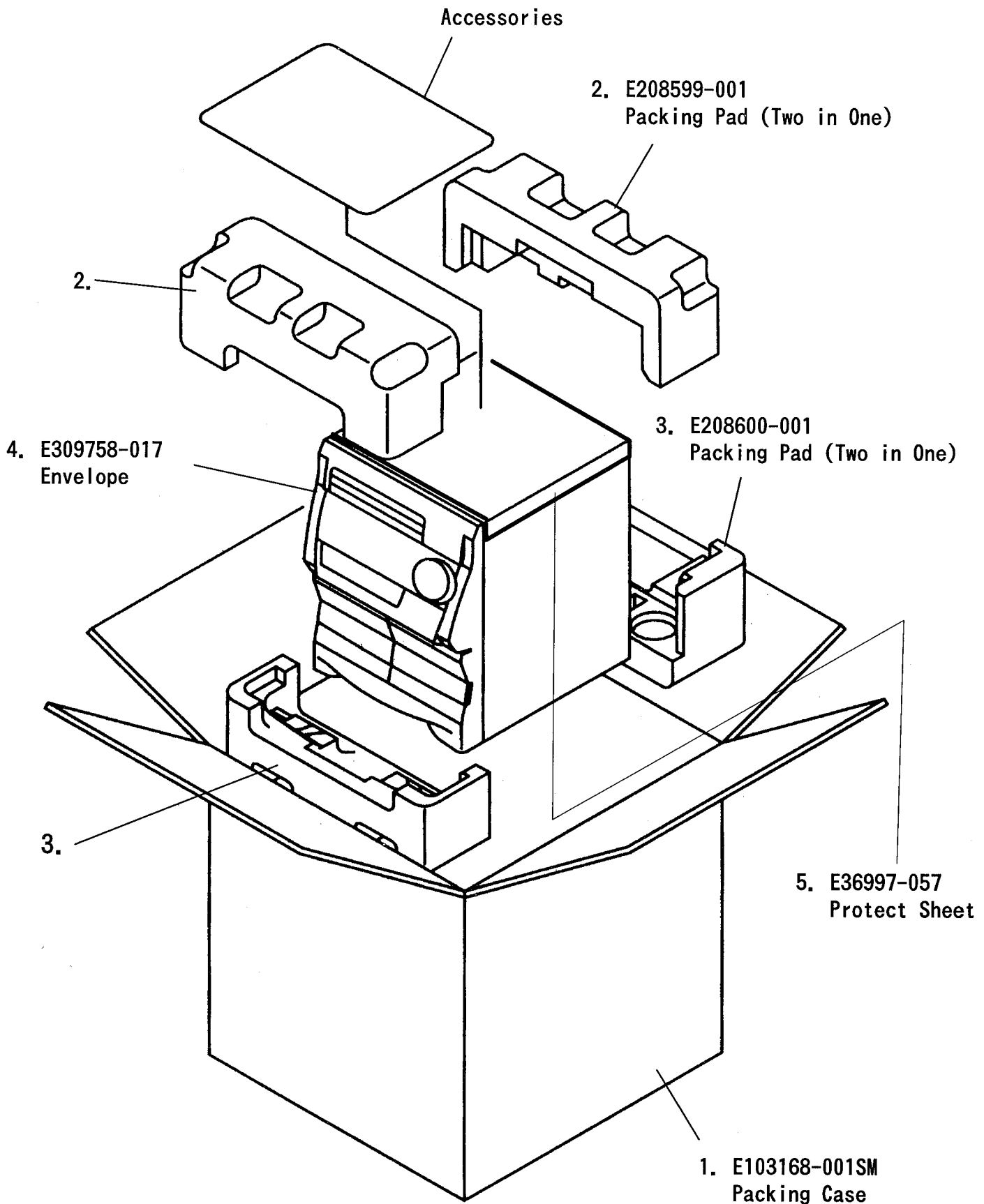
## Accessories List

Block No. **M5MM**

| △ | Item | Parts Number   | Parts Name               | Q'ty | Description | Area |
|---|------|----------------|--------------------------|------|-------------|------|
|   | 1    | E30580-2480B   | INSTRUCTION BOOK         | 1    |             |      |
|   | 2    | E309758-002    | POLY BAG                 | 1    |             |      |
|   | 3    | EQB4001-015    | LOOP ANTENNA             | 1    |             |      |
|   | 4    | RM-SEV805TU    | WIRE-LESS REMOTE CONTROL | 1    |             |      |
|   | 5    | UM-3 (DJ)-2PSA | DRY CELL                 | 1    |             |      |
|   | 6    | EWP304-014     | SIGNAL CORD              | 1    |             |      |
|   | 7    | ENZ2203-001    | ADAPTOR PLUG             | 1    |             | U UT |
| △ | 8    | ENZ2202-001    | SIEMENS PLUG             | 1    |             | US   |
|   | 9    | EWP201-011     | ANTENNA WIRE             | 1    |             |      |

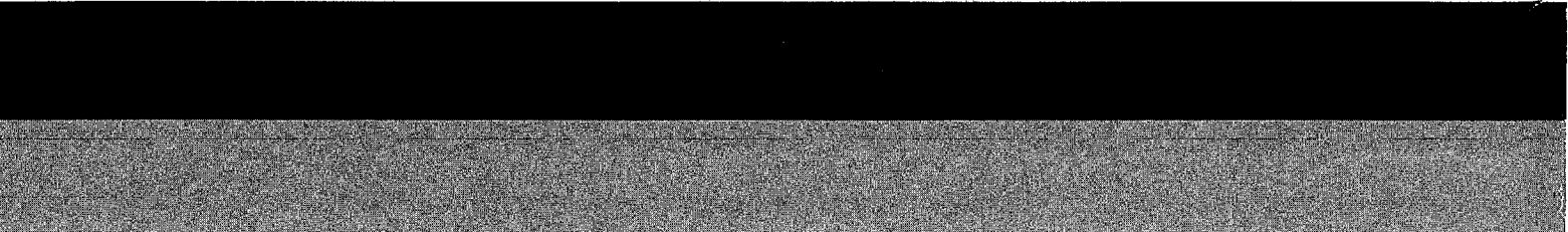
# Packing Materials and Part Numbers

Block No. **MIGMM**









# JVC

VICTOR COMPANY OF JAPAN, LIMITED  
AUDIO PRODUCT DIVISION 1644, SHIMOTSURUMA, YAMATO-SHI, KANAGAWA-KEN, 242, JAPAN